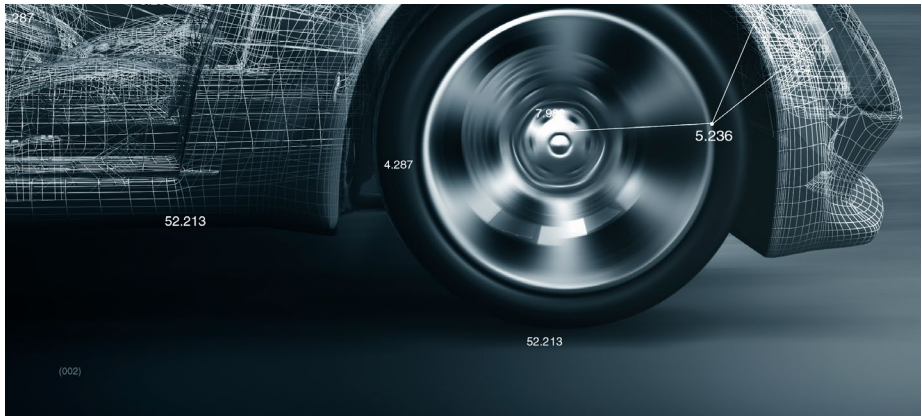
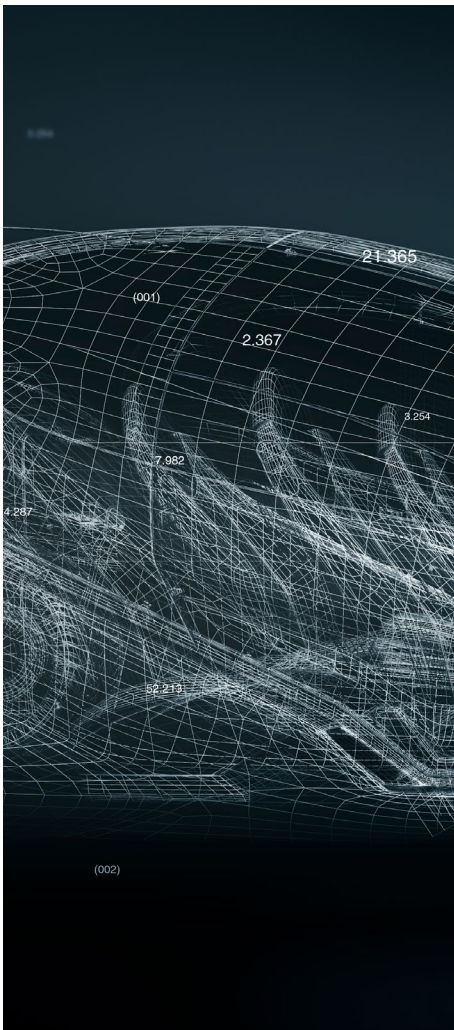


NanoMQS / MCON 0.50 PORTFOLIO

MINIATURIZED AUTOMOTIVE CONNECTION SYSTEMS



INNOVATIVE TECHNOLOGIES

TE Connectivity (TE) is a leader in automotive connectivity and sensor technology. Our engineers are always working to meet complex requirements. We connect nearly every electronic function in the vehicle - from alternative power systems to data connectivity and sensor technologies. Our technologies withstand harsh environments and tolerate high temperature, vibration, shock, pressure and long-life in electronic control systems.



INTERCONNECTION SYSTEMS

Our electrical and electronic interconnection products and solutions are used to electrically and mechanically connect wires and cables, printed circuit boards, integrated circuit packages, batteries and more.



HYBRID & ELECTRIC MOBILITY SOLUTIONS

Our technologies leverage decades of innovation and experience with high-voltage transmission and distribution. Our hybrid and electric mobility solutions include a complete line of connectors, terminals, sensors, cable assemblies, contactors, and battery connection protection to help safeguard the flow of power in hybrid and electric vehicles.



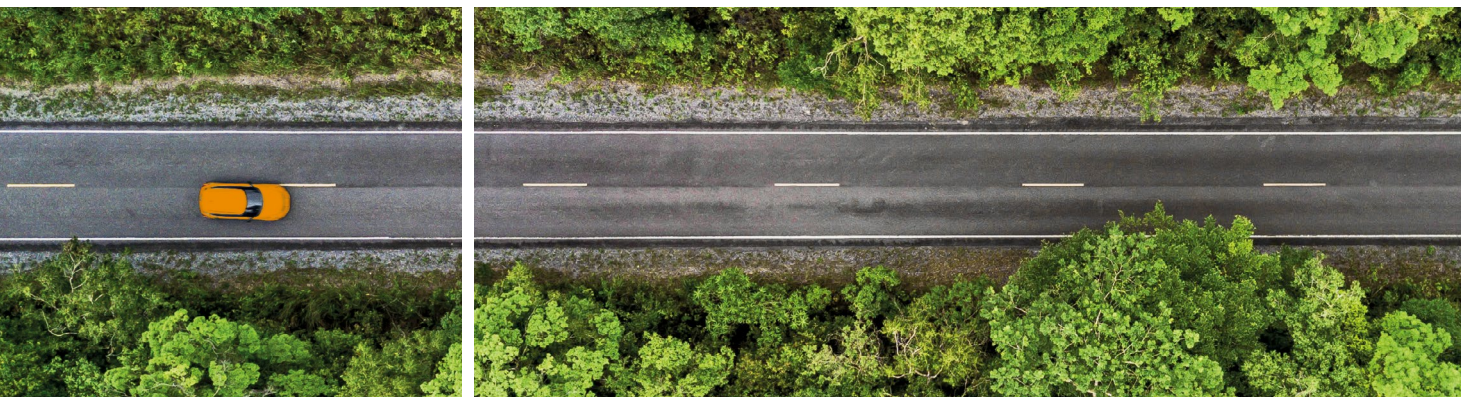
DATA CONNECTIVITY

Our wide range of data connectivity solutions are ideal for consumer port connections, high data rate applications, next-generation harness architecture, board-to-board connections and vehicle-to-vehicle communication.



WIRELESS

HIRSCHMANN MOBILITY Wireless Solutions enable high-performance signal reception and transmission for vehicles. We offer customized antenna systems as well as radio tuner systems for all common global standards. Together with the TE connectors solutions we provide One-Stop-Connectivity Solutions with components along the signal chain that are optimized and compatible with each other to provide best signal quality and real-time data.



SENSOR SOLUTIONS

Customers rely on our sensor technology to provide data for control, adaptation and response of vehicle functions and features that increase safety, comfort, efficiency, and more. We collaborate to provide solutions for demanding and harsh applications such as automated transmissions, engines, chassis, clutch, brake and exhaust. Our products can be found in vehicles traveling the world's roads and highways.



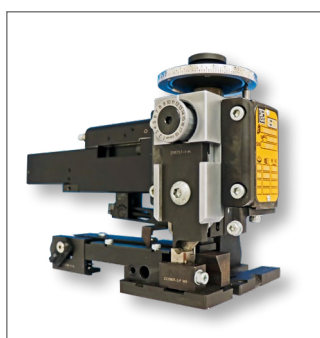
CABLE ASSEMBLY

TE is your partner for vehicle-specific cable assemblies. We offer research and development capabilities, prototypes and samples, as well as manufacturing facilities.



RELAYS



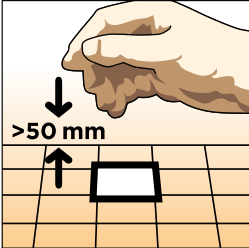

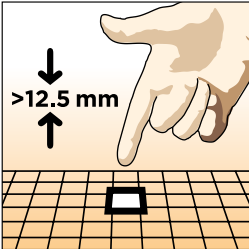
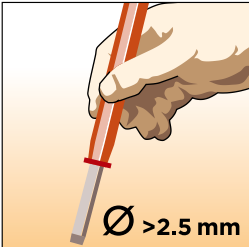
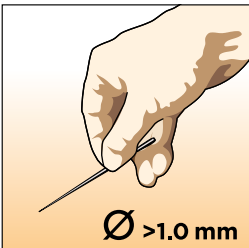
From passenger comfort and infotainment to higher DC voltages and power levels to harsh environments, our relays and contactors provide critical switching functions in multiple vehicle applications. With increased contact gaps and other key design features, our relays are ideal for harsh environments such as shock and vibration.




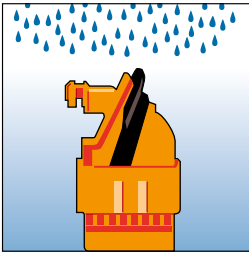
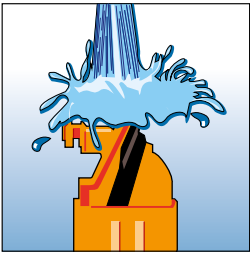
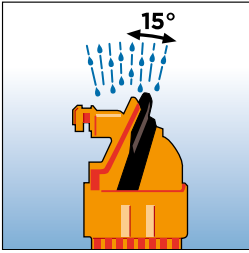
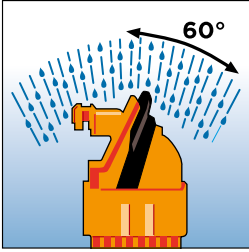
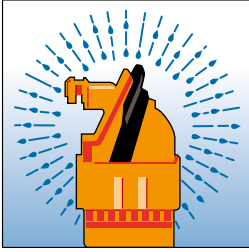
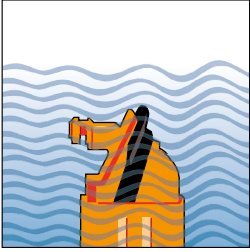

APPLICATION TOOLING

Ensuring a quality connection is essential to delivering high performance and reliability in extreme environments. From crimping a terminal onto a wire or pressing a connector onto a board, our equipment and services are designed to maximize production uptime, extend tooling life and minimize manufacturing waste.

IP Code | Elements and Significance acc. to IEC 60529 and DIN 40050

1st Digit	Against Foreign Objects (incl. Dust)	1st Digit	Against Foreign Objects (incl. Dust)
0	 <p>Not protected.</p>	5K	 <p>Dust protected.</p>
1	 <p>Protected against solid objects greater than 50 mm (ex. back of hand).</p>	6K	 <p>Dust tight.</p>
2	 <p>Protected against solid objects greater than 12.5 mm (ex. finger).</p>		
3	 <p>Protected against solid objects greater than 2.5 mm (ex. tool).</p>		
4	 <p>Protected against solid objects greater than 1.0 mm (ex. wire).</p>		

IP Code | Elements and Significance acc. to IEC 60529 and DIN 40050

2nd Digit	Against Water	2nd Digit	Against Water
0	 <p>Not protected.</p>	5	 <p>Protected against jetting water.</p>
1	 <p>Protected against vertically dripping water.</p>	6	 <p>Protected against powerfully jetting water.</p>
2	 <p>Protected against dripping water when tilted up to 15°.</p>	6K	 <p>Protected against powerfully jetting water with increased pressure (Automotive).</p>
3	 <p>Protected against spraying water (up to 60° inclination).</p>	7	 <p>Protected against the temporary effects of immersion up to 1 meter.</p>
4	 <p>Protected against splashing water.</p>	8	 <p>Protected against continuous submersion agreed with customer, but more severe than code 7.</p>
4K	 <p>Protected against splashing water with increased pressure.</p>	9K	 <p>Protected against high-pressure/steam-jet cleaning (Automotive).</p>

NanoMQS/MCON 0.50 PORTFOLIO		Page
1 MINIATURIZATION TERMINALS		
Introduction		11
Receptacle Contacts		12
Tab Contacts		13
NanoMQS crimp-optimized		14
NanoMQS FFC/FPC Terminal		15
MCON 0.50 Terminal		16
NanoMultispring Press-Fit Pin		17
2 MINIATURIZATION TOP/SIDE LATCH, UNSEALED		
Introduction		19
2.1 NanoMQS Top Latch, Unsealed		
Receptacle Housings - 8 Positions		20
Receptacle Housings - 12 Positions		21
Receptacle Housings - 20 Positions		22
Receptacle Housings - 32 Positions		23
2.2 NanoMQS Top Latch, FFC/FPC		
Receptacle Housings - FFC/FPC - 2 Row Design - 8 Positions		24
Receptacle Housings - FFC/FPC - 2 Row Design - 20 Positions		25
Receptacle Housings - FFC/FPC - 2 Row Design - 32 Positions		26
2.3 NanoMQS Side Latch, Unsealed		
Receptacle Housings - 2 Row Design - 6 Positions		27
Receptacle Housings - 2 Row Design - 10 Positions		28
Receptacle Housings - 2 Row Design - 14 Positions		29
Receptacle Housings - 2 Row Design - 20 Positions		30
Receptacle Housings - 1 Row Design - 2 Positions		31
Receptacle Housings - 1 Row Design - 3 Positions		32
Receptacle Housings - 1 Row Design - 4 Positions		33
Receptacle Housings - 1 Row Design - 5 Positions		34
Receptacle Housings - 1 Row Design - 6 Positions		35
Receptacle Housings - 1 Row Design - 7 Positions		36
Receptacle Housings - 1 Row Design - 8 Positions		37
Receptacle Housings - 1 Row Design - 9 Positions		38
Receptacle Housings - 1 Row Design - 10 Positions		39
Receptacle Housings - 1 Row Design - 11 Positions		40
Receptacle Housings - 2 Row Design - 4 Positions		41

NanoMQS/MCON 0.50 PORTFOLIO		Page
2 TOP/SIDE LATCH, UNSEALED		
Receptacle Housings - 2 Row Design - 6 Positions		42
Receptacle Housings - 2 Row Design - 8 Positions		43
Receptacle Housings - 2 Row Design - 10 Positions		44
Receptacle Housings - 2 Row Design - 12 Positions		45
Receptacle Housings - 2 Row Design - 14 Positions		46
Receptacle Housings - 2 Row Design - 16 Positions		47
Receptacle Housings - 2 Row Design - 18 Positions		48
Receptacle Housings - 2 Row Design - 20 Positions		49
2.4 NanoMQS Side Latch, Unsealed, with CPA		
Receptacle Housings - 1 Row Design - 2 Pos with CPA		50
Receptacle Housings - 1 Row Design - 3 Pos with CPA		51
Receptacle Housings - 1 Row Design - 4 Pos with CPA		52
Receptacle Housings - 1 Row Design - 5 Pos with CPA		53
Receptacle Housings - 1 Row Design - 6 Pos with CPA		54
Receptacle Housings - 1 Row Design - 8 Pos with CPA		55
Receptacle Housings - 2 Row Design - 4 Pos with CPA		56
Receptacle Housings - 2 Row Design - 6 Pos with CPA		57
Receptacle Housings - 2 Row Design - 8 Pos with CPA		58
Receptacle Housings - 2 Row Design - 10 Pos with CPA		59
Receptacle Housings - 2 Row Design - 12 Pos with CPA		60
Receptacle Housings - 2 Row Design - 14 Pos with CPA		61
Receptacle Housings - 2 Row Design - 16 Pos with CPA		62
Receptacle Housings - 2 Row Design - 18 Pos with CPA		63
Receptacle Housings - 2 Row Design - 20 Pos with CPA		64
3 MINIATURIZATION SEALED HOUSINGS		
Introduction		65
3.1 NanoMQS Sealed Housings		
Receptacle Housings - 2 Positions		66
Receptacle Housings - 4 Positions		67
Receptacle Housings - 2-6 Positions		68
Receptacle Housings - 6 Positions		69
Receptacle Housings - 8 Positions		70

NanoMQS/MCON 0.50 PORTFOLIO	Page
3.2 MCON Sealed Housings	
Receptacle Housings - 1 Row Design - 3 Positions	71
Receptacle Housings - 1 Row Design - 4 Positions	72
Receptacle Housings - 1 Row Design - 6 Positions	73
Receptacle Housings - 2 Row Design - 4 Positions	74
Receptacle Housings - 2 Row Design - 6 Positions	75
Receptacle Housings - 2 Row Design - 8 Positions	76
Receptacle Housings - 2 Row Design - 10 Positions	77
Receptacle Housings - 2 Row Design - 12 Positions	78
4 MINIATURIZATION HEADERS	
Introduction	79
4.1 NanoMQS TOP LATCH THT (PIN-IN-PASTE) HEADERS	
PCB Headers - Right Angle - 8 Positions	80
PCB Headers - Right Angle - 12 Positions	81
PCB Headers - Right Angle - 20 Positions	82
PCB Headers - Right Angle - 32 Positions	83
PCB Headers - Vertical - 8 Positions	84
PCB Headers - Vertical - 12 Positions	85
PCB Headers - Vertical - 20 Positions	86
PCB Headers - Vertical - 32 Positions	87
4.2 NanoMQS SIDE LATCH THT (PIN-IN-PASTE) HEADERS	
PCB Headers - 2 Row Design - 6 Positions	88
PCB Header - 2 Row Design - 20 Positions	89
PCB Headers - Right Angle - 2 Row Design - 6 Positions	90
PCB Headers - Right Angle - 2 Row Design - 10 Positions	91
4.3 NanoMQS SMD HEADERS	
PCB Headers - Right Angle - 1 Row Design - 4 Positions	92
PCB Headers - Right Angle - 1 Row Design - 5 Positions	93
PCB Headers - Right Angle - 1 Row Design - 6 Positions	94
PCB Headers - Right Angle - 1 Row Design - 7 Positions	95
PCB Headers - Right Angle - 1 Row Design - 8 Positions	96
PCB Headers - Right Angle - 1 Row Design - 10 Positions	97
PCB Headers - Vertical Angle - 1 Row Design - 4 Positions	98
PCB Headers - Vertical Angle - 1 Row Design - 5 Positions	99

NanoMQS/MCON 0.50 PORTFOLIO	Page
4.3 NanoMQS SMD HEADERS	
PCB Headers - Vertical Angle - 1 Row Design - 6 Positions	100
PCB Headers - Vertical Angle - 1 Row Design - 8 Positions	101
PCB Headers - Vertical Angle - 1 Row Design - 10 Positions	102
PCB Headers - Right Angle - 2 Row Design - 12 Positions	103
PCB Headers - Right Angle - 2 Row Design - 14 Positions	104
PCB Headers - Right Angle - 2 Row Design - 16 Positions	105
PCB Headers - Right Angle - 2 Row Design - 20 Positions	106
PCB Headers - Vertical Angle - 2 Row Design - 8 Positions	107
PCB Headers - Vertical Angle - 2 Row Design - 10 Positions	108
PCB Headers - Vertical Angle - 2 Row Design - 12 Positions	109
PCB Headers - Vertical Angle - 2 Row Design - 16 Positions	110
PCB Headers - Vertical Angle - 2 Row Design - 22 Positions	111
5 APPLICATION TOOLING	114 - 115
TE CONNECTIVITY ONLINE	118
GLOBAL CONTACTS	119
IMPRINT	119

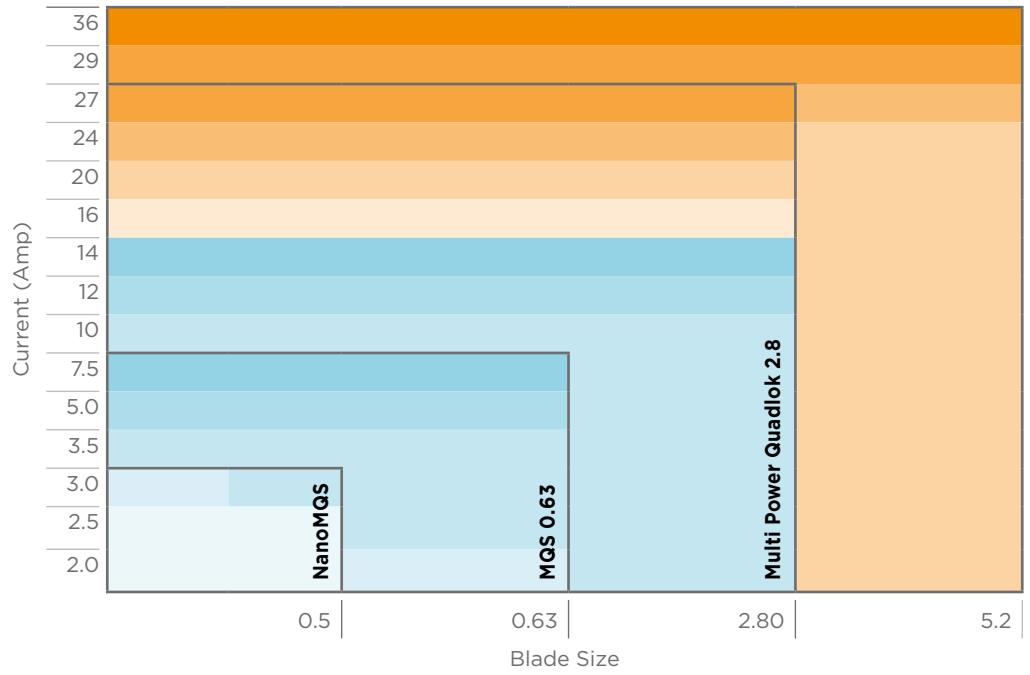
Blade Size vs. Current

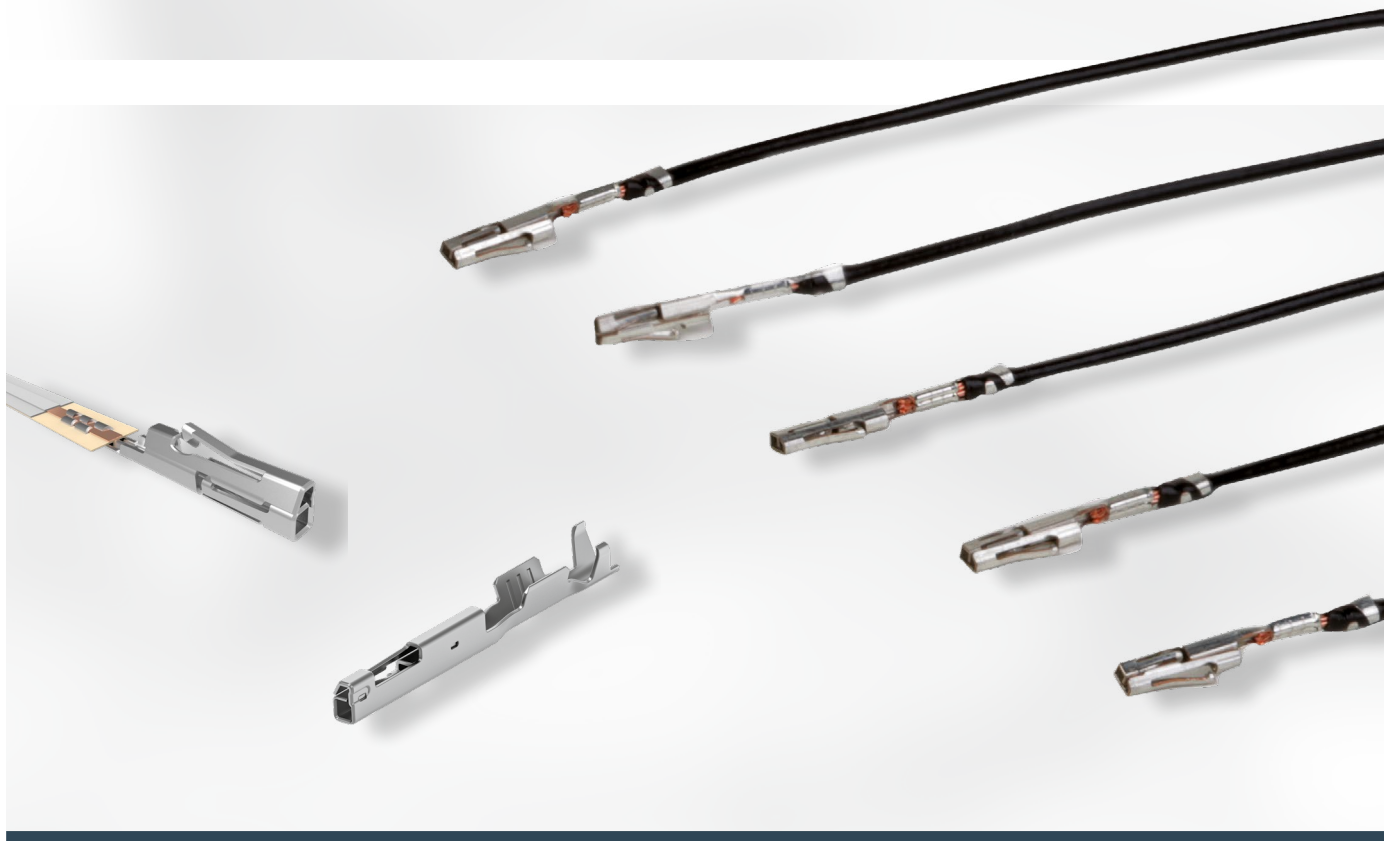
Wire Size

- 6.00 mm²
- 4.00 mm²
- 2.50 mm²
- 1.50 mm²
- 1.00 mm²
- 0.75 mm²
- 0.50 mm²
- 0.35 mm²
- 0.20/0.22 mm²
- 0.13/0.17 mm²

Temperature

Depending on Wire Size 85°C+





Miniaturization Terminals

Miniaturization

1.8 mm pin-to-pin pitch
0.5 x 0.4 mm blade size

Flexibility

0.13 to 0.35 mm² compatible wire sizes
Flexible Flat Cables (FFC) / Flexible Printed Cables (FPC) compatibility

Automotive-robust Performance

Current capacity of 3A
Max. temperature: 170°C (Ag-plated)
SG2 vibration grade (unsealed applications)
SG4 vibration grade (sealed applications)
Automotive-standards conform

Wide Portfolio

Locking lance design
Clean body terminal
Different surfaces available: Sn-, Ag- and Au-plated



Technical Features

Contact Material:

CuNiSi/CuSn

Surface Contact Area:

Tin plated: 0.8-2.2 μm Sn

Silver plated: 1.6-5 μm Ag

Gold plated: min 0.8 μm Au

Wire Size Range:

0.13-0.35 mm²

Current Carrying Capacity:

Up to 3 A at 90°C (CuSn, Sn)

Up to 3A at 125°C (CuNiSi, Sn)

Up to 3A at 160°C (Ag)

Up to 3A at 140°C (Au)

Temperature Range:

-40°C ... +105°C (tin plated)

-40°C ... +170°C (silver plated)

-40°C ... +130°C (CuNiSi,
tin plated)

-40°C ... +150°C (gold plated)

Cycles:

20 tin plated

50 silver plated

100 gold plated

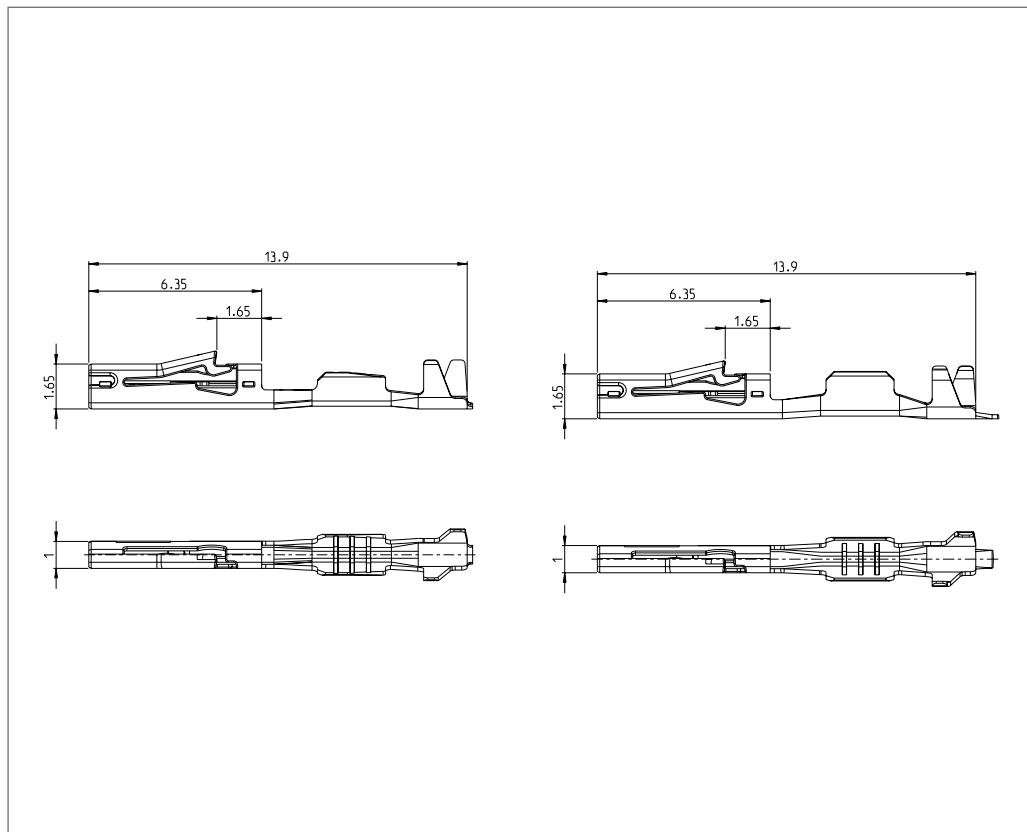
Application Specification:

114-18858

Product Specification:

108-94099

Receptacle Contacts



Wire Size Range (mm ²)	Insulation Diameter (mm)	Material and Finish	Part Numbers	
			Mating Tab Contact	Strip Form
0.13 - 0.17	max. 1.1	CuNiSi, silver plated	2236905-3	1-1703930-2
		CuSn, tin plated	2236905-1	1-1703930-1
		CuNiSi, tin plated	1-2236905-1	2-1703930-4
0.22 - 0.35	0.95 - 1.2	CuNiSi, silver plated	1-2236905-3	2-1703930-2
		CuSn, tin plated	1-2236905-1	2-1703930-1
		CuNiSi, gold plated	/.	2-1703930-3
		CuNiSi, tin plated	1-2236905-1	2-1703930-4
0.35	min. 1.2 max. 1.3	CuNiSi, silver plated	1-2236905-3	2-1703930-2
		CuSn, tin plated	1-2236905-1	2-1703930-1
		CuNiSi, gold plated	/.	2-1703930-3

Mating Tab Contact
see page 10



Selecting an Applicator Online:

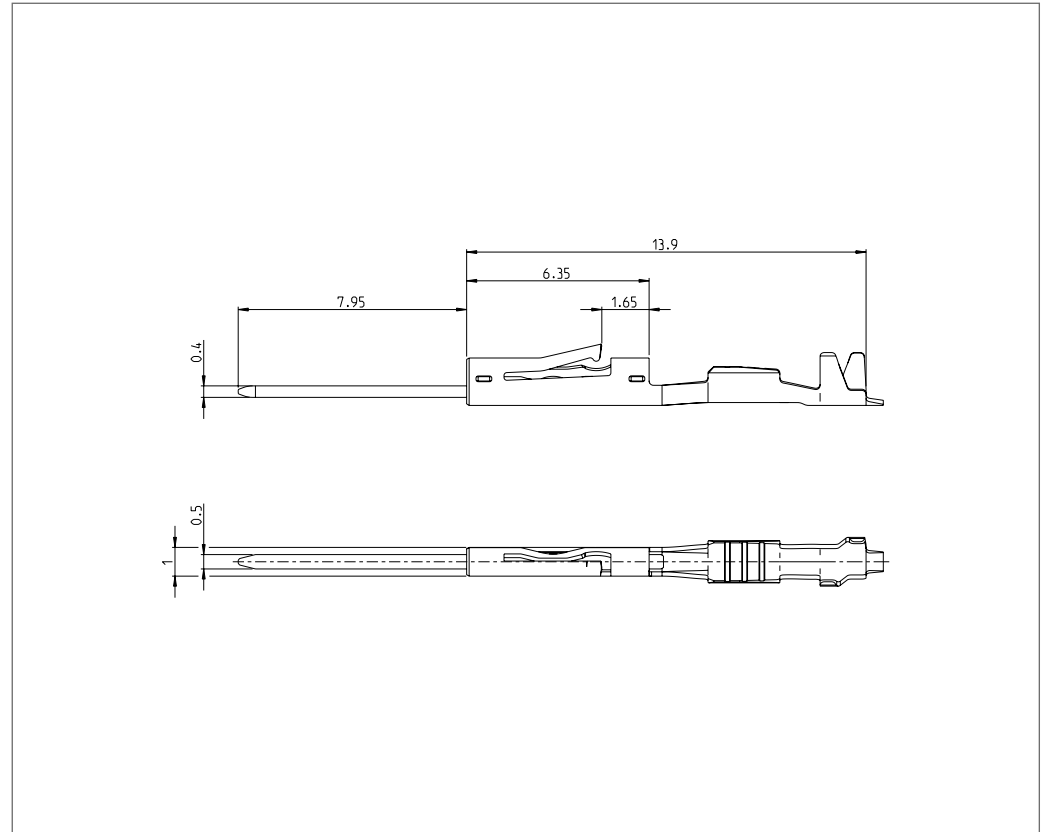
www.te.com/usa-en/products/application-tooling/mini-applicator-parts-search.html

Selecting Applicator Replaceable Tooling Online:

www.te.com/global-en/products/application-tooling/applicator-spare-parts-search.html



Tab Contacts



Technical Features

Contact Material:
CuSn

Surface Contact Area:
Tin plated: 1-3 µm Sn
Silver plated: 2-4 µm Ag

Wire Size Range:
0.13-0.35 mm²

Current Carrying Capacity:
Up to 3 A at 90°C

Temperature Range:
-40°C ... +105°C (tin plated)
-40°C ... +170°C (silver plated)

Cycles:
20 tin plated
50 silver plated

Application Specification:
114-94288

Product Specification:
108-94099

Wire Size Range (mm ²)	Insulation Diameter (mm)	Material and Finish	Part Numbers	
			Mating Tab Contact	Strip Form
0.13 - 0.17	0.85 - 1.10	CuSn, tin plated	1-1703930-1	2236905-1
		CuNiSi, silver plated	1-1703930-2	2236905-3
0.22 - 0.35	0.95 - 1.30	CuSn, tin plated	2-1703930-1	1-2236905-1
		CuNiSi, silver plated	2-1703930-2	1-2236905-3
0.35	1.20 - 1.30	CuSn, tin plated	2-1703930-1	1-2236905-1
		CuNiSi, silver plated	2-1703930-2	1-2236905-3

Mating Tab Contact
see page 9



Selecting an Applicator Online:
www.te.com/usa-en/products/application-tooling/mini-applicator-parts-search.html

Selecting Applicator Replaceable Tooling Online:
www.te.com/global-en/products/application-tooling/applicator-spare-parts-search.html



Technical Features

Contact Material:

CuNiSi

Contact Finish:

Tin Plated: 0.8 - 2.2 μm Sn

Silver Plated: 1.6-5 μm Ag

Gold Plated: min 0.8 μm Au

Wire Size Range:

0.13-0.35 mm^2

Current Carrying Capacity:

Up to 3A at 125°C (CuNiSi, Sn)

Up to 3A at 160°C (Ag)

Up to 3A at 140°C (Au)

Temperature Range:

-40°C ... +130°C (CuNiSi,

tin plated)

-40°C ... +170°C (silver plated)

-40°C ... +150°C (gold plated)

Mating Cycles:

20 tin plated

50 silver plated

100 gold plated

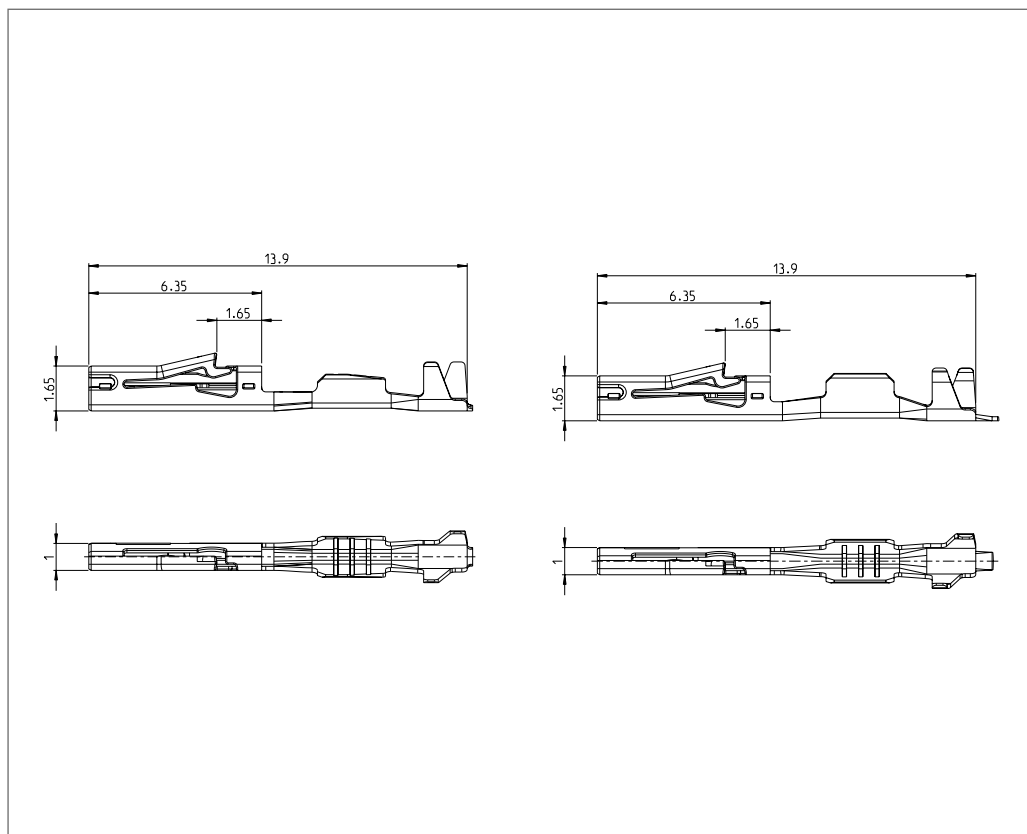
Product Specification:

108-94099

Application Specification:

114-18858

NanoMQS crimp-optimized



Wire Size Range (mm^2)	Insulation Diameter (mm)	Material and Finish	Part Number
			Strip Form
0.22-0.35	0.95-1.2	CuNiSi, tin plated	4-1703930-4
		CuNiSi, silver plated	4-1703930-2
		CuNiSi, gold plated	4-1703930-3
0.35	min 1.2 max. 1.3	CuNiSi, tin plated	4-1703930-4
		CuNiSi, silver plated	4-1703930-2
		CuNiSi, gold plated	4-1703930-3

Selecting an Applicator Online:

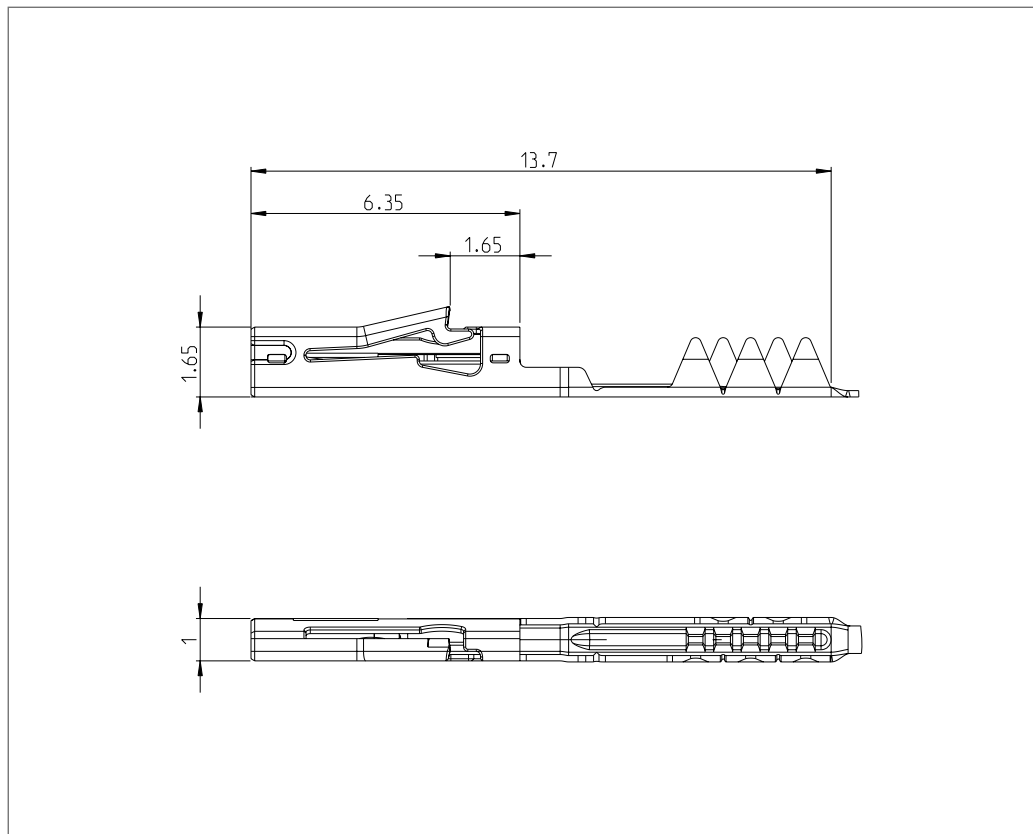
www.te.com/usa-en/products/application-tooling/mini-applicator-parts-search.html

Selecting Applicator Replaceable Tooling Online:

www.te.com/global-en/products/application-tooling/applicator-spare-parts-search.html



NanoMQS FFC/FPC Terminal



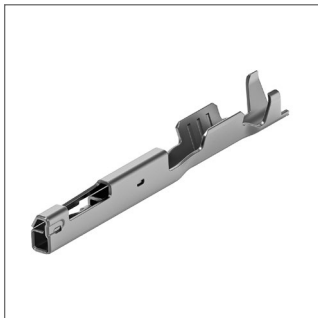
Technical Features

- Contact Material:**
CuSn
- Contact Finish:**
Tin plated: 0.8 - 2.2 μm Sn
- Wire Size Range:**
Flexible Foils i.e. FFC or FPC
For details, please see
Application Specification
- Current Carrying Capacity:**
Up to 1A at 100°C
- Temperature Range:**
-40°C ... +105°C
- Mating Cycles:**
20 tin plated
- Product Specification:**
108-94489
- Application Specification:**
114-94383

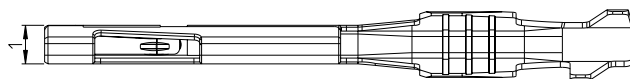
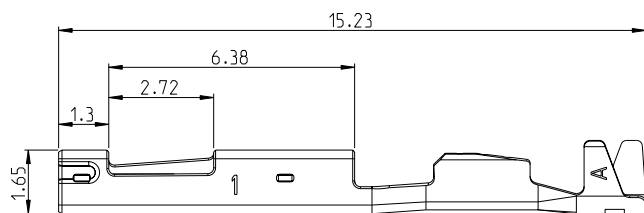
Wire Size Range (mm ²)	Material and Finish	Part Number
		Strip Form
FFC or FPC according to Application Specification	CuSn, tin plated	1-2291853-1

Selecting an Applicator Online:
www.te.com/usa-en/products/application-tooling/mini-applicator-parts-search.html

Selecting Applicator Replaceable Tooling Online:
www.te.com/global-en/products/application-tooling/applicator-spare-parts-search.html



MCON 0.50 Terminal



Technical Features

Contact Material:

CuNiSi/CuSn

Contact Finish:

Tin Plated: 0.8 - 2.2 μm Sn

Silver Plated: 1.6-5 μm Ag

Gold Plated: min 0.8 μm Au

Wire Size Range:

0.13-0.35 mm^2

Current Carrying Capacity:

Up to 3A at 90°C (CuSn, Sn)

Up to 3A at 125°C (CuNiSi, Sn)

Up to 3A at 160°C (Ag)

Up to 3A at 140°C (Au)

Temperature Range:

-40°C ... +105°C (CuSn,
tin plated)

-40°C ... +130°C (CuNiSi,
tin plated)

-40°C ... +170°C (silver plated)

-40°C ... +150°C (gold plated)

Mating Cycles:

20 tin plated

50 silver plated

100 gold plated

Product Specification:

108-94342

Application Specification:

114-94191

Wire Size Range (mm^2)	Insulation Diameter (mm)	Material and Finish	Part Number
			Strip Form
0.13-0.17	max 1.1	CuSn, tin plated	0-2177908-1
		CuNiSi, tin plated	1-2177908-1
		CuNiSi, silver plated	0-2177908-3
		CuNiSi, gold plated	1-2177908-2
0.22-0.35	0.95-1.2	CuSn, tin plated	0-2177909-1
		CuNiSi, tin plated	1-2177909-1
		CuNiSi, silver plated	0-2177909-3
		CuNiSi, gold plated	1-2177909-2
0.35	min 1.2 max. 1.3	CuSn, tin plated	0-2177909-1
		CuNiSi, tin plated	1-2177909-1
		CuNiSi, silver plated	0-2177909-3
		CuNiSi, gold plated	1-2177909-2

Selecting an Applicator Online:

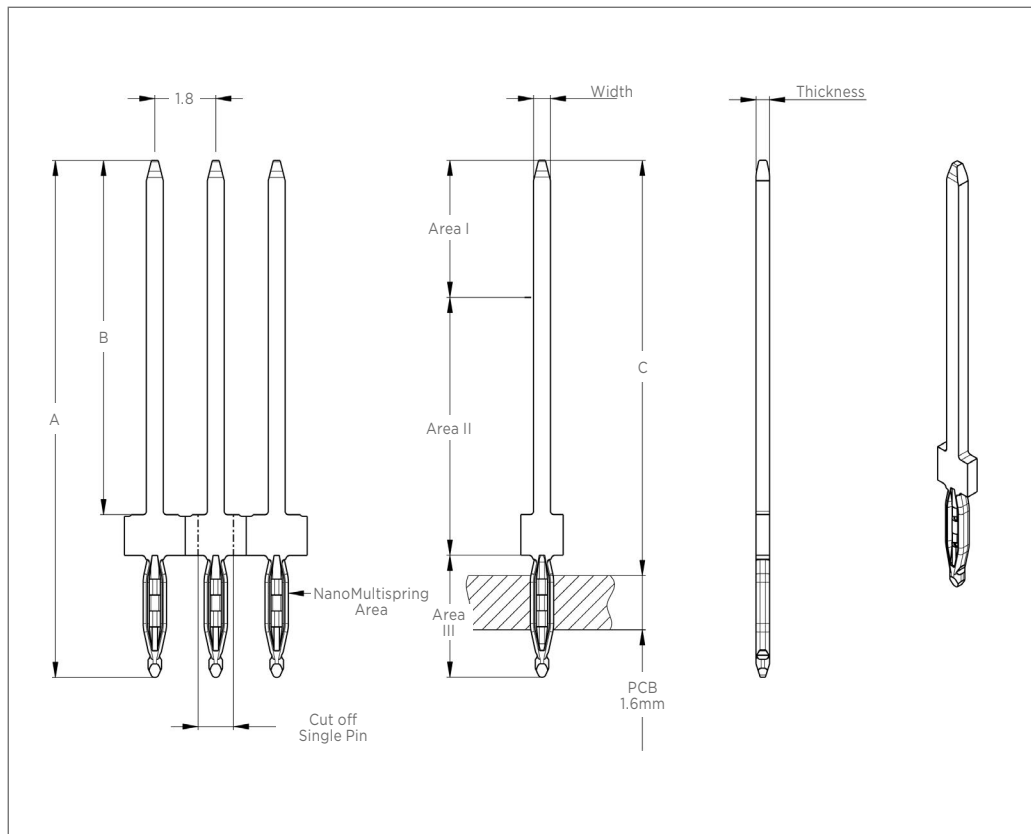
www.te.com/usa-en/products/application-tooling/mini-applicator-parts-search.html

Selecting Applicator Replaceable Tooling Online:

www.te.com/global-en/products/application-tooling/applicator-spare-parts-search.html



NanoMultispring Press-Fit Pin

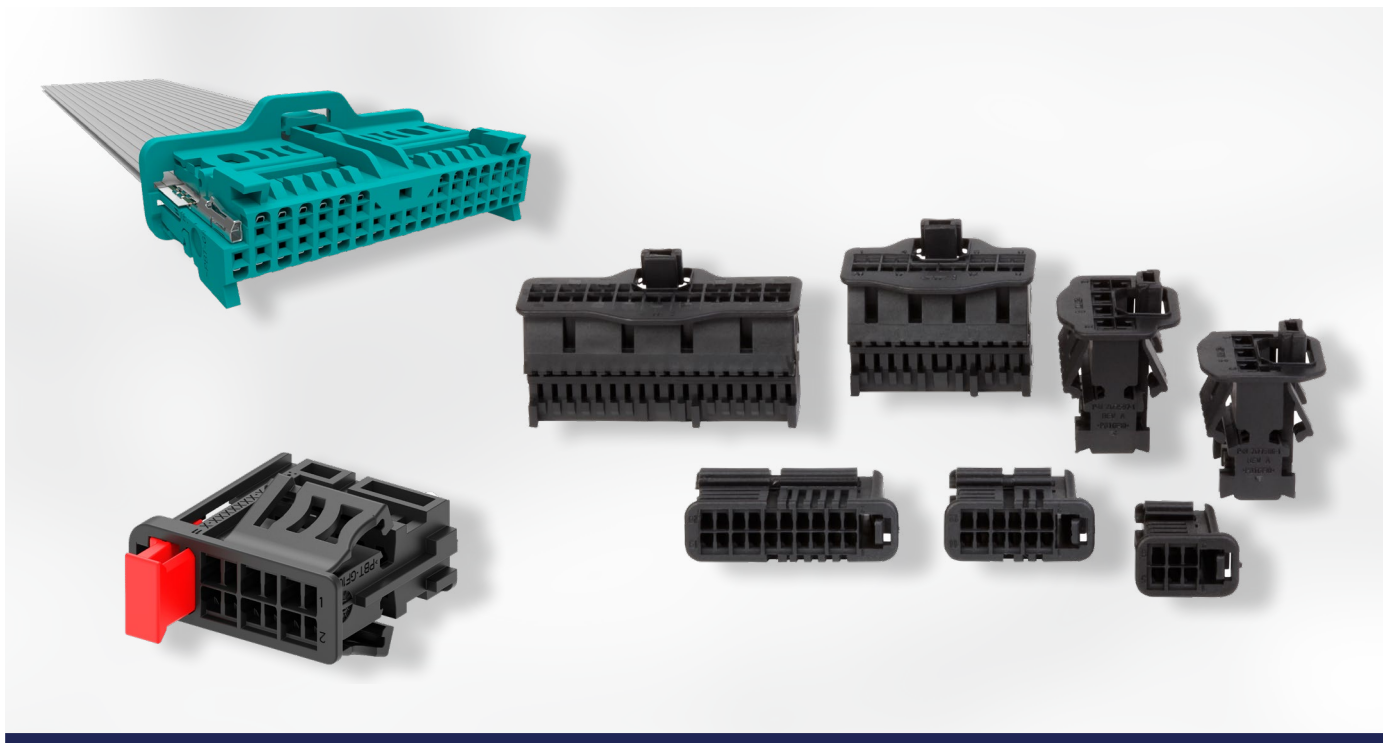


Technical Features

- Press-Fit Zone:**
NanoMultispring
- Material Thickness:**
0.4 mm
- Total Temperature Range:**
-40°C ... +125°C
- Insertion Force:**
Max 100 N
- Push-out Force:**
Min 20 N
- Product Drawing:**
2282347
- Product Requirements:**
IEC 60352-5 / TE 108-90836
- Product Specification:**
TE 108-90836

Dimension Area I, Contact Tab Area (mm) Width x Thickness	Dimensions (mm)			Nominal PCB Hole Diameter (mm)	Material	Finish Area I, Contact Tab Area	Finish Area III, Press-Fit Area	Part Number	Mating Receptacle Contact
	A	B	C						
0.5 x 0.4	13.70	8.90	12.25	0.6	CuSn6	Sn	Sn	2282347-1	x-1703930-x x-2177908-x x-2177909-x
0.5 x 0.4	12.80	8.00	11.35	0.6	CuSn6	Sn	Sn	2282347-2	x-1703930-x x-2177908-x x-2177909-x
0.5 x 0.4	11.65	6.85	8.30	0.6	CuSn6	Sn	Sn	2282347-3	x-1703930-x x-2177908-x x-2177909-x

The table consists of a grid of 20 columns and 30 rows of dots. Most dots are grey, but several are highlighted in orange. The orange dots are located at the following approximate coordinates (row, column): (1, 6), (4, 16), (6, 11), (8, 1), (9, 7), (14, 14), (14, 19), (17, 11), (21, 19), (26, 1), and (29, 6).

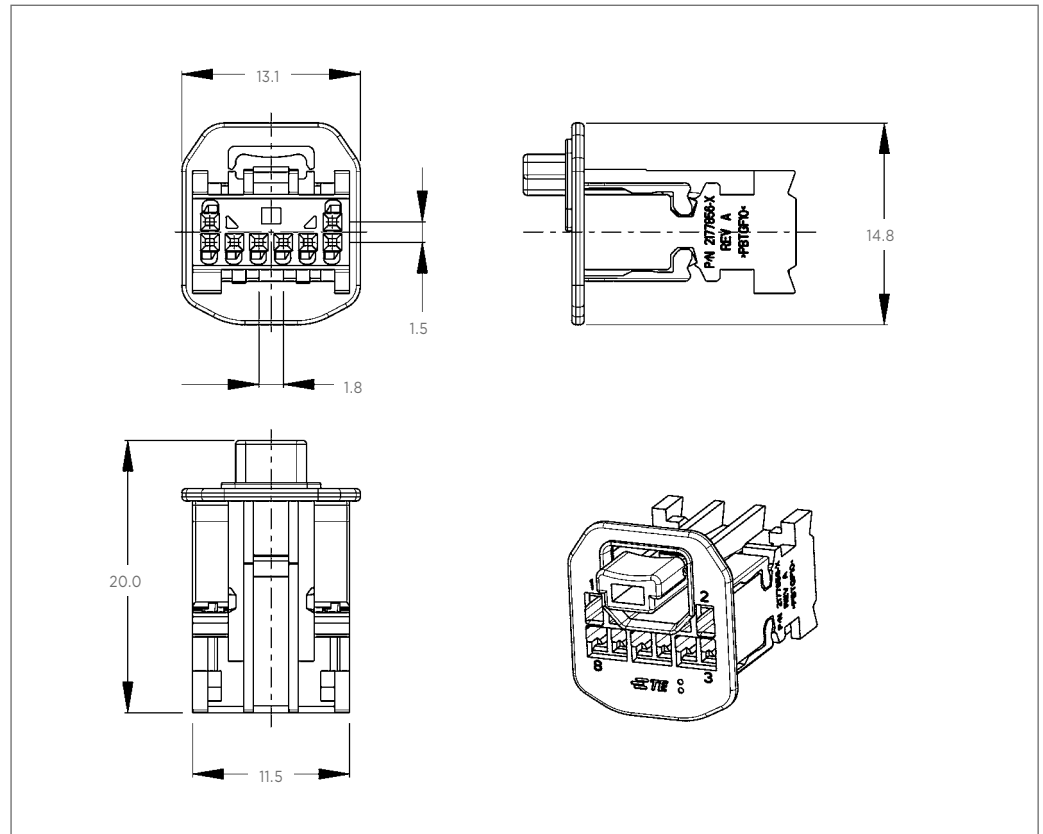


Miniaturization Top/Side Latch Unsealed

Flexibility	0.13 to 0.35 mm ² compatible wire sizes Flexible Flat Cables (FFC) / Flexible Printed Cables (FPC) compatibility
Automotive-robust Performance	SG2 vibration grade (unsealed applications) Automotive-standards conform Standard automotive interface
Wide Portfolio	Available in top- and side latch versions Available in 1- and 2-row versions Available with and without CPA versions Top-Latch: 8, 12, 20 and 32 positions Side-Latch: 2 up to 20 positions



Receptacle Housings - 8 Positions



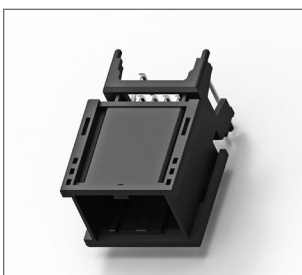
Technical Features

- No. of Positions:**
8 Positions
- Housing Material:**
PBT Glas fibre reinforced
- Wire Size Range:**
0.13 - 0.35 mm²
- Product Specification:**
108-20315
- Application Specification:**
114-94033
- Extraction Tool:**
1355968-1

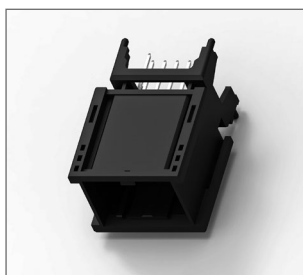
Keying Options	Housing Color	Part Numbers							
		Receptacle Housing	Cover	Locking Device	Cover and Lever	Mating Tab Housing	Mating PCB Headers		Contacts
							Right Angle	Vertical	
Coding A	Black	2177586-1					0-2177372-3	0-2177768-3	
Coding B	Natural	2177586-2					1-2177372-3	1-2177768-3	
Coding C	Gray	2177586-3*	N/A	N/A	N/A	N/A	2-2177372-3*	2-2177768-3*	x-1703930-x
Coding D	Black	2177586-4*					3-2177372-3*	3-2177768-3*	

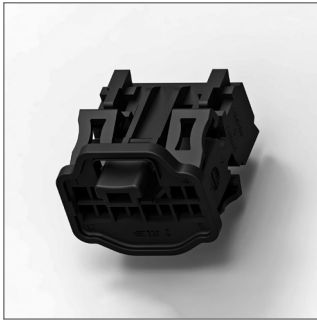
* on request

Mating Header Connector
Right Angle see page 80

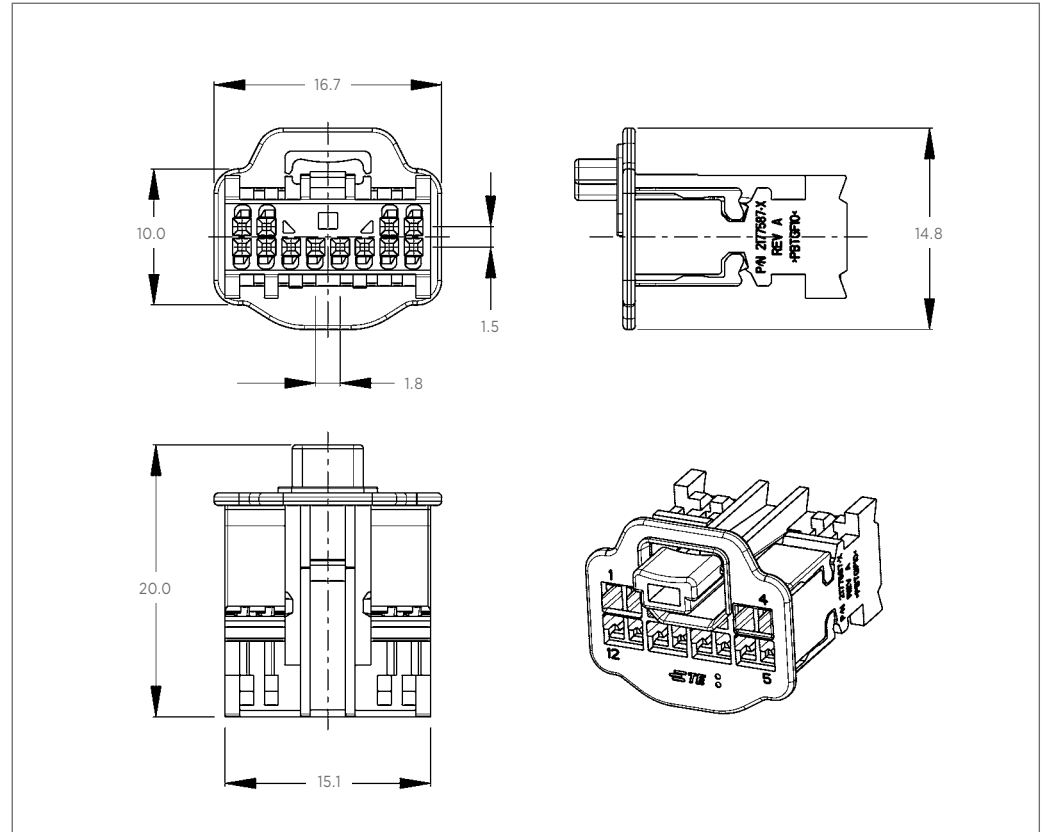


Mating Header Connector
Vertical see page 84





Receptacle Housings - 12 Positions



Technical Features

- No. of Positions:**
12 Positions
- Housing Material:**
PBT Glas fibre reinforced
- Wire Size Range:**
0.13 - 0.35 mm²
- Product Specification:**
108-20315
- Application Specification:**
114-94033
- Extraction Tool**
1355968-1

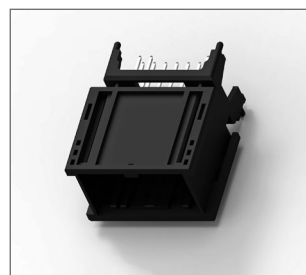
Keying Options	Housing Color	Part Numbers							
		Receptacle Housing	Cover	Locking Device	Cover and Lever	Mating Tab Housing	Mating PCB Headers		Contacts
							Right Angle	Vertical	
Coding A	Black	2177587-1					0-2177370-3	0-2177767-3	
Coding B	Natural	2177587-2					1-2177370-3	1-2177767-3	
Coding C	Gray	2177587-3*	N/A	N/A	N/A	N/A	2-2177370-3*	2-2177767-3*	x-1703930-x
Coding D	Black	2177587-4*					3-2177370-3*	3-2177767-3*	

* on request

Mating Header Connector
Right Angle see page 81

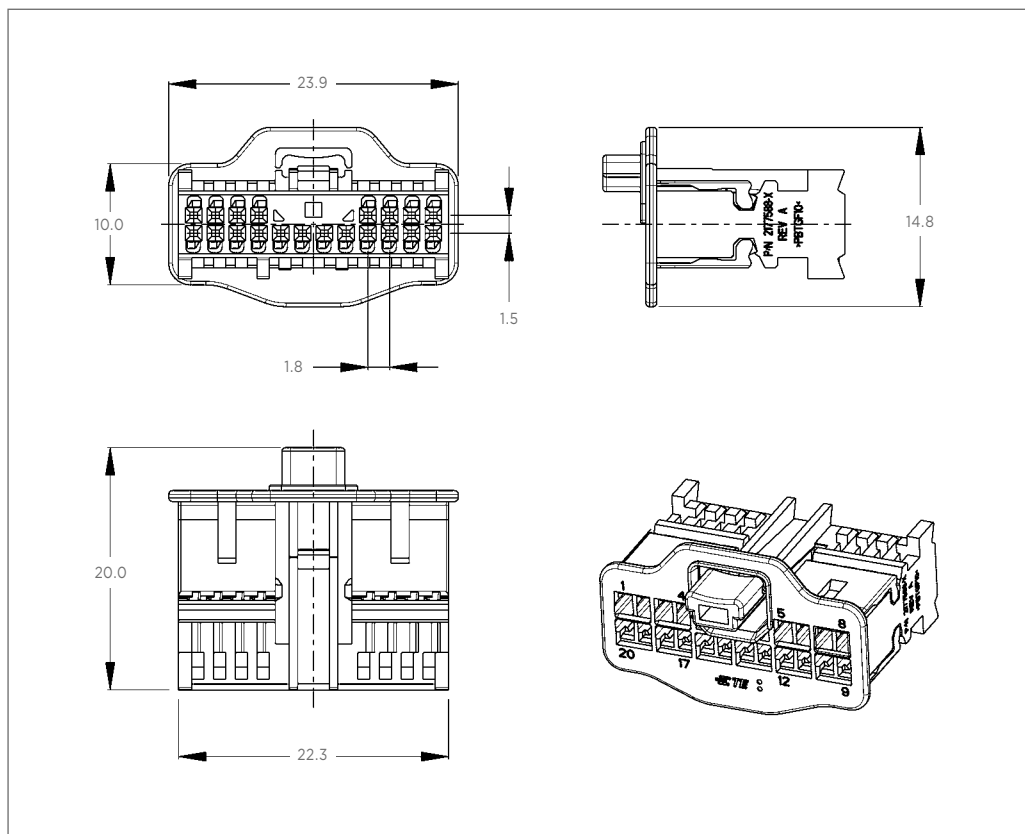


Mating Header Connector
Vertical see page 85





Receptacle Housings - 20 Positions



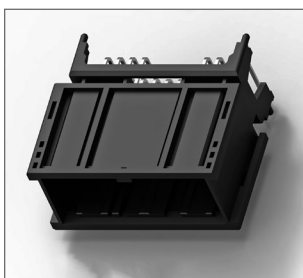
Technical Features

- No. of Positions:** 20 Positions
- Housing Material:** PBT Glas fibre reinforced
- Material and Finish:** CuMg01, Sn over NiMating
- Product Specification:** 108-20315
- Application Specification:** 114-94033
- Extraction Tool:** 1355968-1

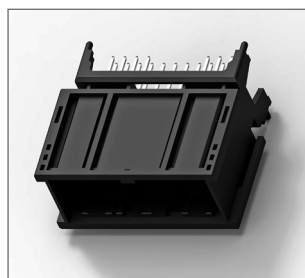
Keying Options	Housing Color	Part Numbers							Contacts
		Receptacle Housing	Cover	Locking Device	Cover and Lever	Mating Tab Housing	Mating PCB Headers		
							Right Angle	Vertical	
Coding A	Black	2177588-1					0-2177367-3	0-2177766-3	
Coding B	Natural	2177588-2					1-2177367-3	1-2177766-3	
Coding C	Gray	2177588-3*	N/A	N/A	N/A	N/A	2-2177367-3*	2-2177766-3*	x-1703930-x
Coding D	Black	2177588-4*					3-2177367-3*	3-2177766-3*	

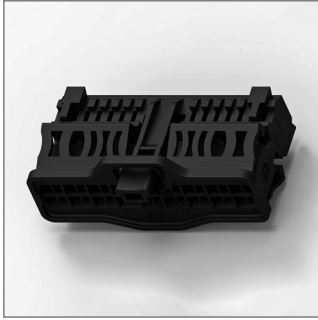
* on request

Mating Header Connector Right Angle see page 82

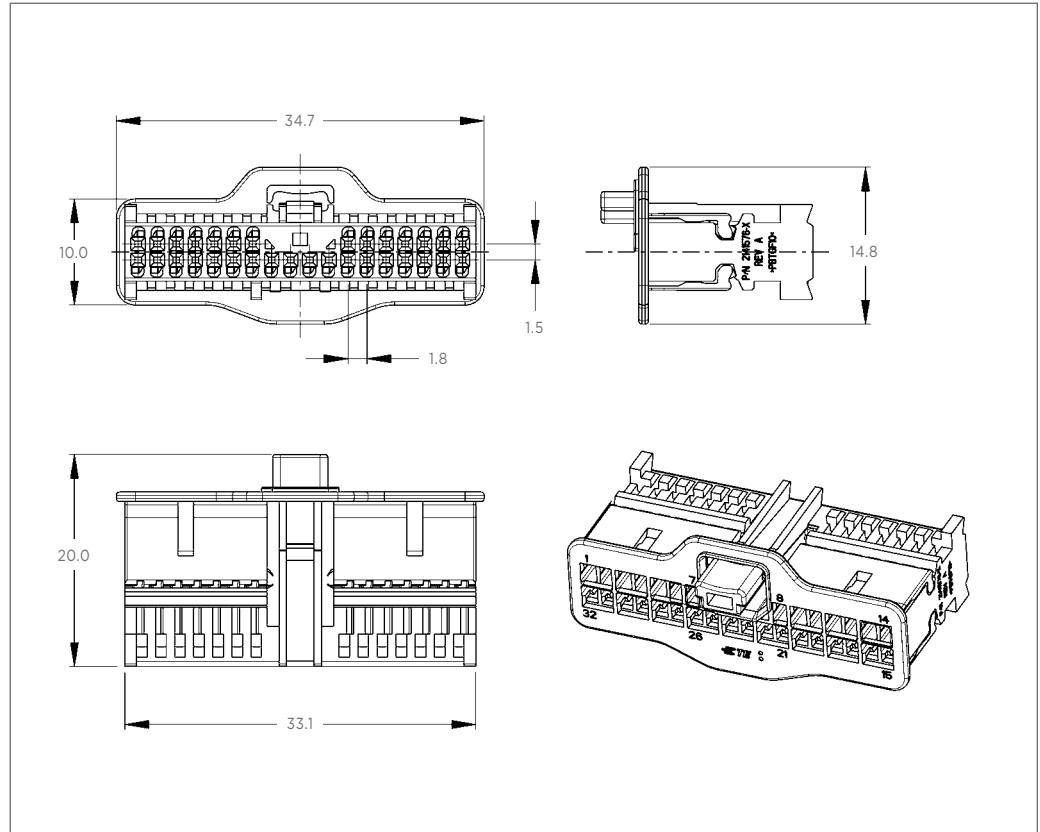


Mating Header Connector Vertical see page 86





Receptacle Housings - 32 Positions



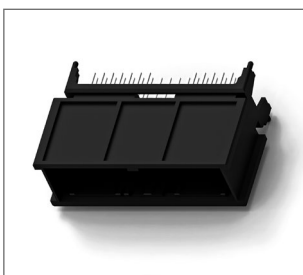
Technical Features

- No. of Positions:** 31 Positions
- Housing Material:** PBT Glas fibre reinforced
- Wire Size Range:** 0.13 - 0.35 mm²
- Product Specification:** 108-20315
- Application Specification:** 114-94033
- Extraction Tool:** 1355968-1

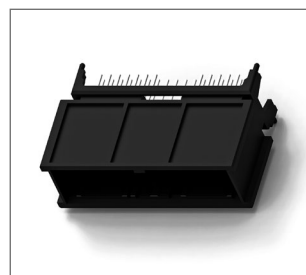
Keying Options	Housing Color	Part Numbers							
		Receptacle Housing	Cover	Locking Device	Cover and Lever	Mating Tab Housing	Mating PCB Headers		Contacts
							Right Angle	Vertical	
Coding A	Black	2141576-1					0-2177419-3	0-2177748-3	
Coding B	Natural	2141576-2					1-2177419-3	1-2177748-3	
Coding C	Gray	2141576-3	N/A	N/A	N/A	N/A	2-2177419-3	2-2177748-3	x-1703930-x
Coding D	Black	2141576-4*					3-2177419-3*	3-2177748-3*	

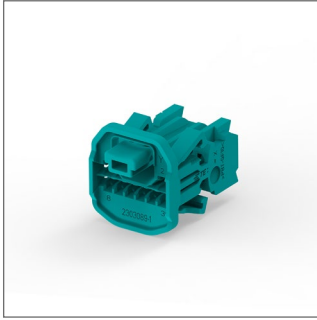
* on request

Mating Header Connector Right Angle see page 83



Mating Header Connector Vertical see page 87

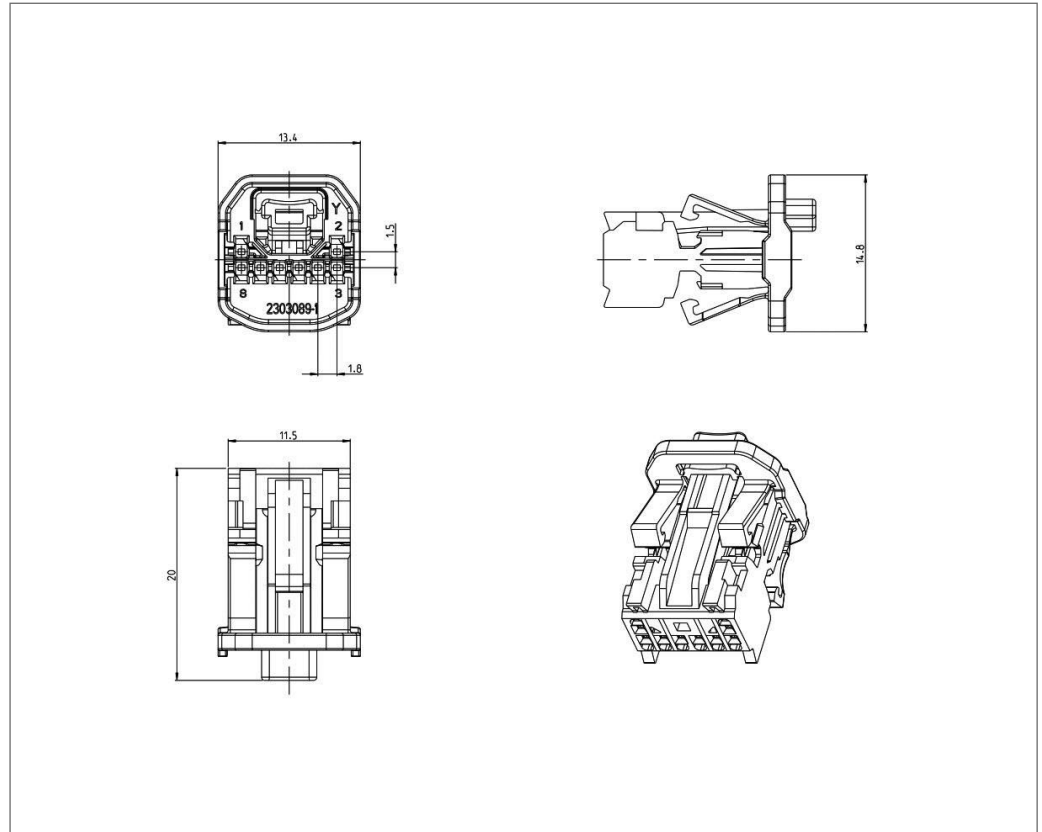




Technical Features

- No. of Positions:**
8 Positions
- Housing Material**
PBT-GF10
- Wire Size Range:**
Flexible Foils i.e. FFC or FPC; for details, please see Application Specification for Terminal PN 1-2291853-1
- Interface:**
114-20160-40
- Product Specification:**
108-94541
- Application Specification:**
114-94437

Receptacle Housings - FFC/FPC - 2 Row Design - 8 Positions



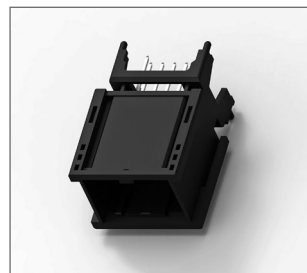
Keying Options	Housing Color	Receptacle Housing	Part Numbers		Contacts
			Mating PCB Headers		
			Right Angle	Vertical	
Coding Z	Water Blue	2303089-1	x-2177372-x	x-2177768-x	1-2291853-1

* on request

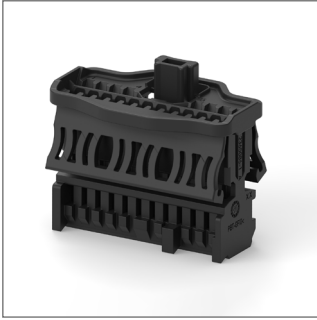
Mating PCB Header
Right Angle see page 80



Mating PCB Header
Vertical Angle see page 84

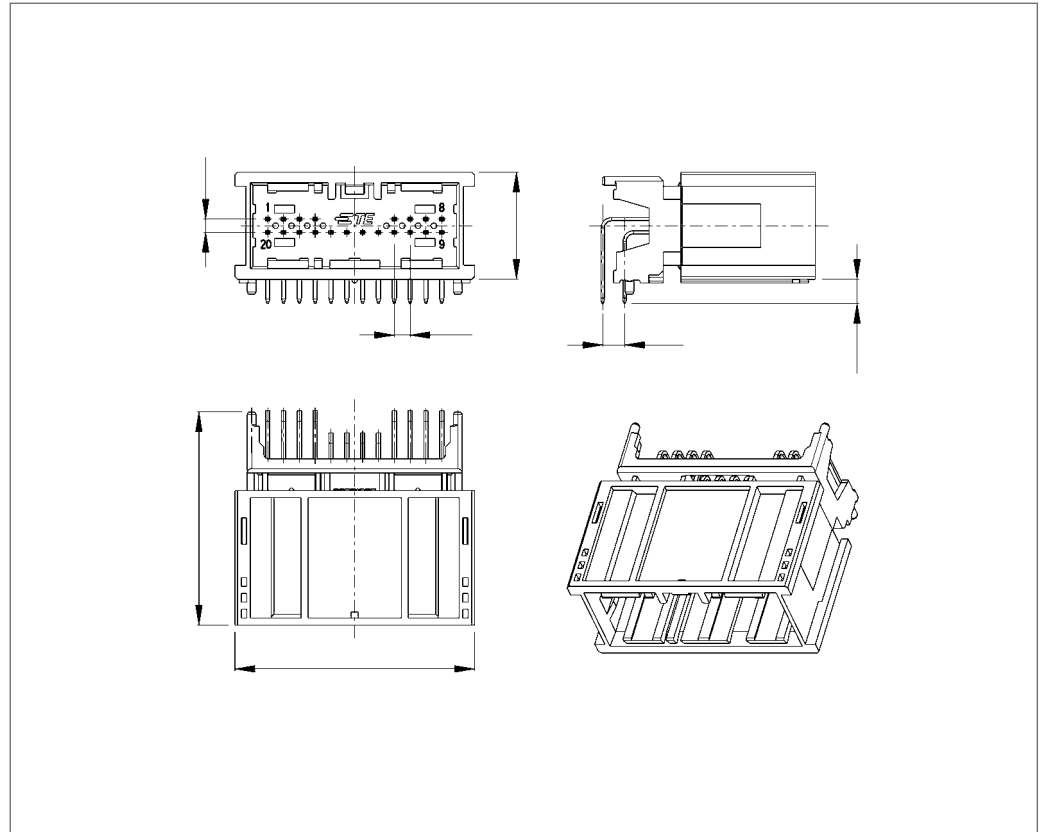


Receptacle Housings - FFC/FPC - 2 Row Design - 20 Positions



Technical Features

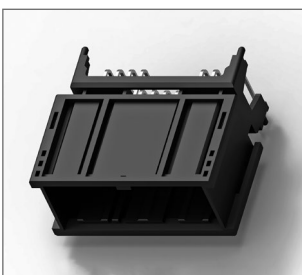
- No. of Positions:**
20 Positions
- Housing Material**
PBT-GF10
- Wire Size Range:**
Flexible Foils i.e. FFC or FPC;
for details, please see
Application Specification for
Terminal PN 1-2291853-1
- Interface:**
114-20160-40
- Product Specification:**
108-94541
- Application Specification:**
114-94437



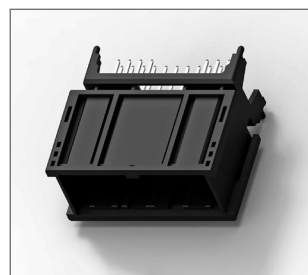
Keying Options	Housing Color	Part Numbers			
		Receptacle Housing	Mating PCB Headers		Contacts
	Right Angle		Vertical		
Coding A	Black	2365086-1	x-2177367-x	x-2177766-x	1-2291853-1

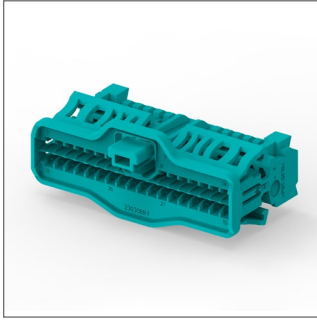
* on request

Mating PCB Header
Right Angle see page 82



Mating PCB Header
Vertical Angle see page 86

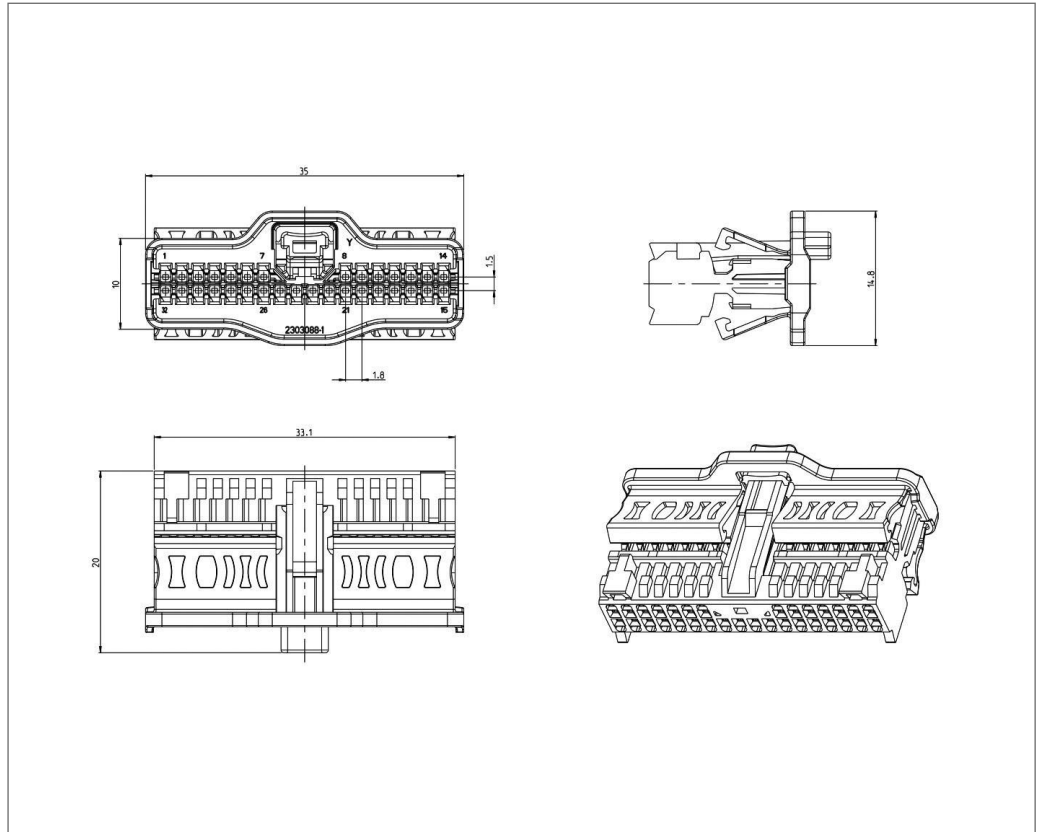




Technical Features

- No. of Positions:**
32 Positions
- Housing Material**
PBT-GF10
- Wire Size Range:**
Flexible Foils i.e. FFC or FPC; for details, please see Application Specification for Terminal PN 1-2291853-1
- Interface:**
114-20160-150
- Product Specification:**
108-94541
- Application Specification:**
114-94437

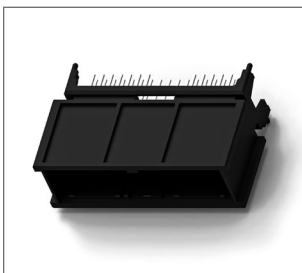
Receptacle Housings - FFC/FPC - 2 Row Design - 32 Positions



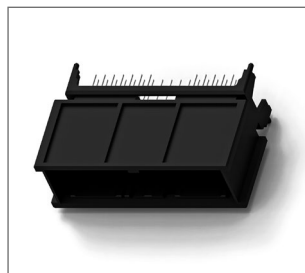
Keying Options	Housing Color	Part Numbers			
		Receptacle Housing	Mating PCB Headers		Contacts
			Right Angle	Vertical	
Coding A	Black	2303088-2	0-/4-2177419-3	0-/4-2177748-3	
Coding B	Natural	2303088-3	1-/5-2177419-3	1-/5-2177748-3	1-2291853-1
Coding Z	Water Blue	2303088-1	x-2177367-x	x-2177766-x	

* on request

Mating PCB Header
Right Angle see page 83



Mating PCB Header
Vertical Angle see page 87

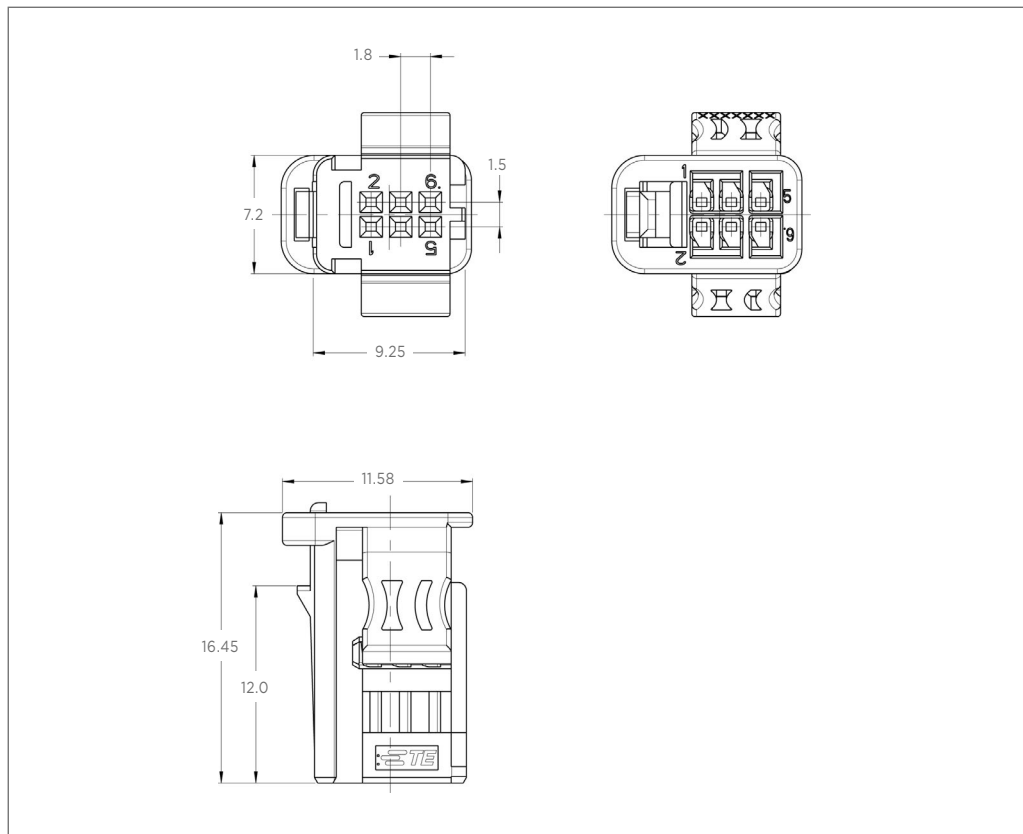


Receptacle Housings - 2 Row Design - 6 Positions



Technical Features

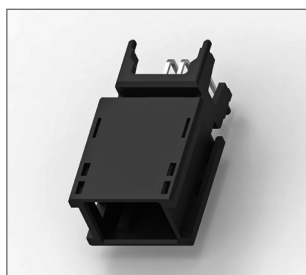
- No. of Positions:**
6 Positions
- Housing Material:**
PBT Glas fibre reinforced
- Wire Size Range:**
0.13 - 0.35 mm²
- Product Specification:**
108-94288
- Application Specification:**
114-94033
- Extraction Tool**
1355968-1



Keying Options	Housing Color	Part Numbers							
		Receptacle Housing	Cover	Locking Device	Cover and Lever	Mating Tab Housing	Mating PCB Headers		Contacts
							Right Angle	Vertical	
Coding A	Black	2208338-1					2208636-1		
Coding B	Natural	2208338-2					2208636-2*		
Coding C	Blue	2208338-3*	N/A	N/A	N/A	N/A	2208636-3*	TBD	x-1703930-x
Coding D	Violet	2208338-4*					2208636-4*		
Coding Z	Water Blue	2208338-9					all codings		

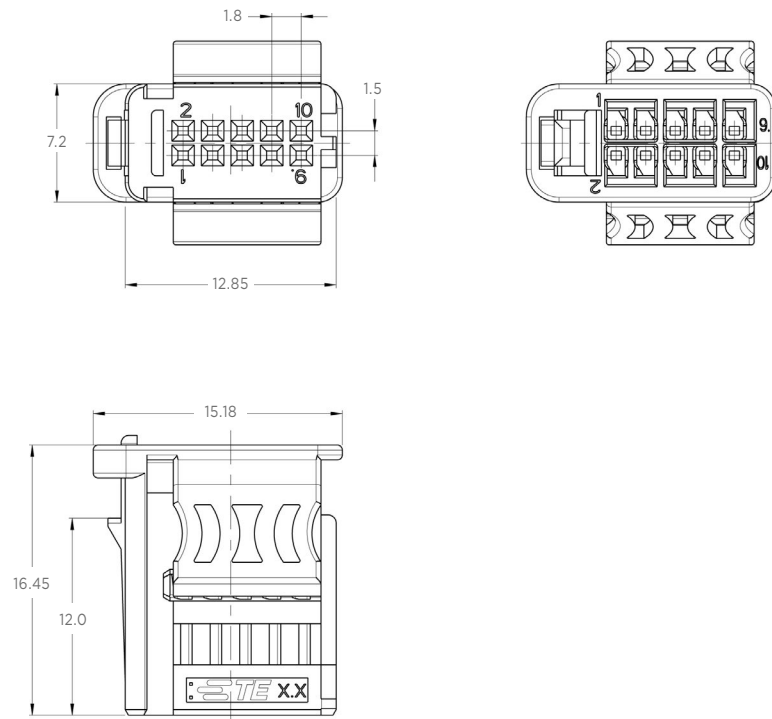
* on request

Mating Header see page 88





Receptacle Housings - 2 Row Design - 10 Positions



Technical Features

No. of Positions:

6 Positions

Housing Material:

PBT Glas fibre reinforced

Wire Size Range:
0.13 - 0.35 mm²
Product Specification:

108-94288

Application Specification:

114-94033

Extraction Tool

1355968-1

Keying Options	Housing Color	Part Numbers							
		Receptacle Housing	Cover	Locking Device	Cover and Lever	Mating Tab Housing	Mating PCB Headers		Contacts
							Right Angle	Vertical	
Coding A	Black	2208339-1							
Coding B	Natural	2208339-2							
Coding C	Blue	2208339-3*	N/A	N/A	N/A	N/A	TBD	TBD	x-1703930-x
Coding D	Violet	2208339-4*							
Coding Z	Water Blue	2208339-9					all codings		

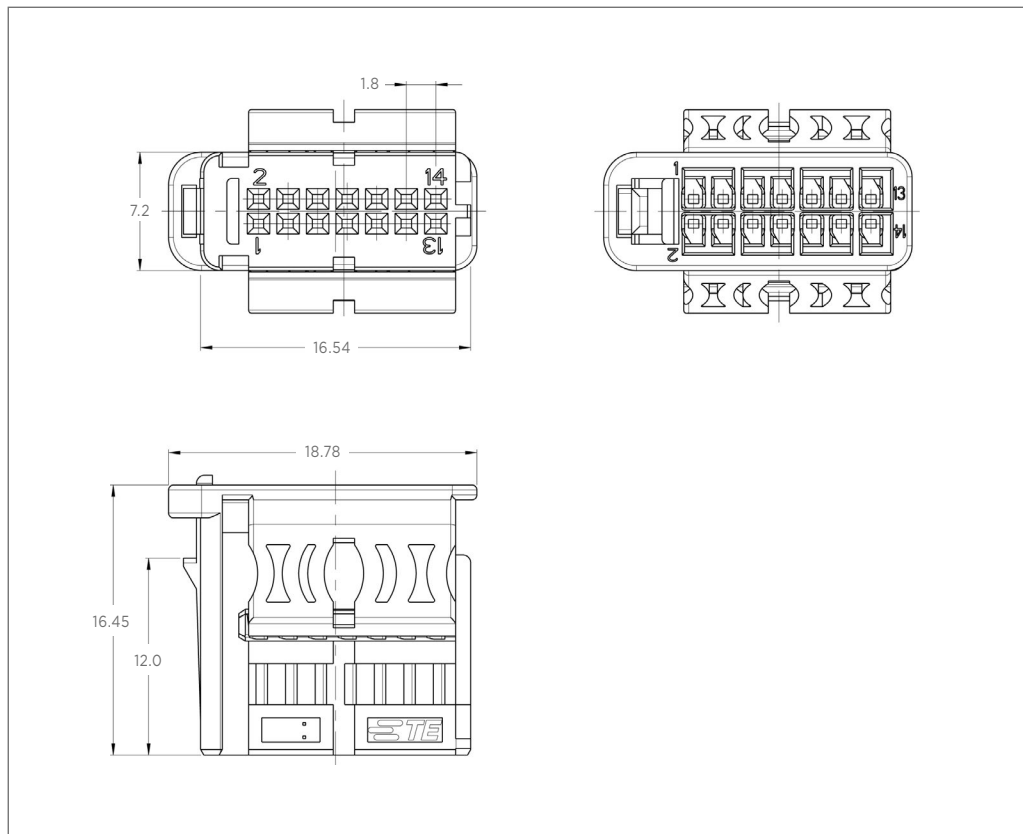
* on request

Receptacle Housings - 2 Row Design - 14 Positions



Technical Features

- No. of Positions:**
6 Positions
- Housing Material:**
PBT Glas fibre reinforced
- Wire Size Range:**
0.13 - 0.35 mm²
- Product Specification:**
108-94288
- Application Specification:**
114-94033
- Extraction Tool**
1355968-1



Keying Options	Housing Color	Part Numbers							
		Receptacle Housing	Cover	Locking Device	Cover and Lever	Mating Tab Housing	Mating PCB Headers		Contacts
							Right Angle	Vertical	
Coding A	Black	2208340-1							
Coding B	Natural	2208340-2							
Coding C	Blue	2208340-3*	N/A	N/A	N/A	N/A	TBD	TBD	x-1703930-x
Coding D	Violet	2208340-4*							
Coding Z	Water Blue	2208340-9					all codings		

* on request



Technical Features

No. of Positions:

20 Positions

Housing Material:

PBT Glas fibre reinforced

Wire Size Range:
0.13 - 0.35 mm²
Product Specification:

108-94288

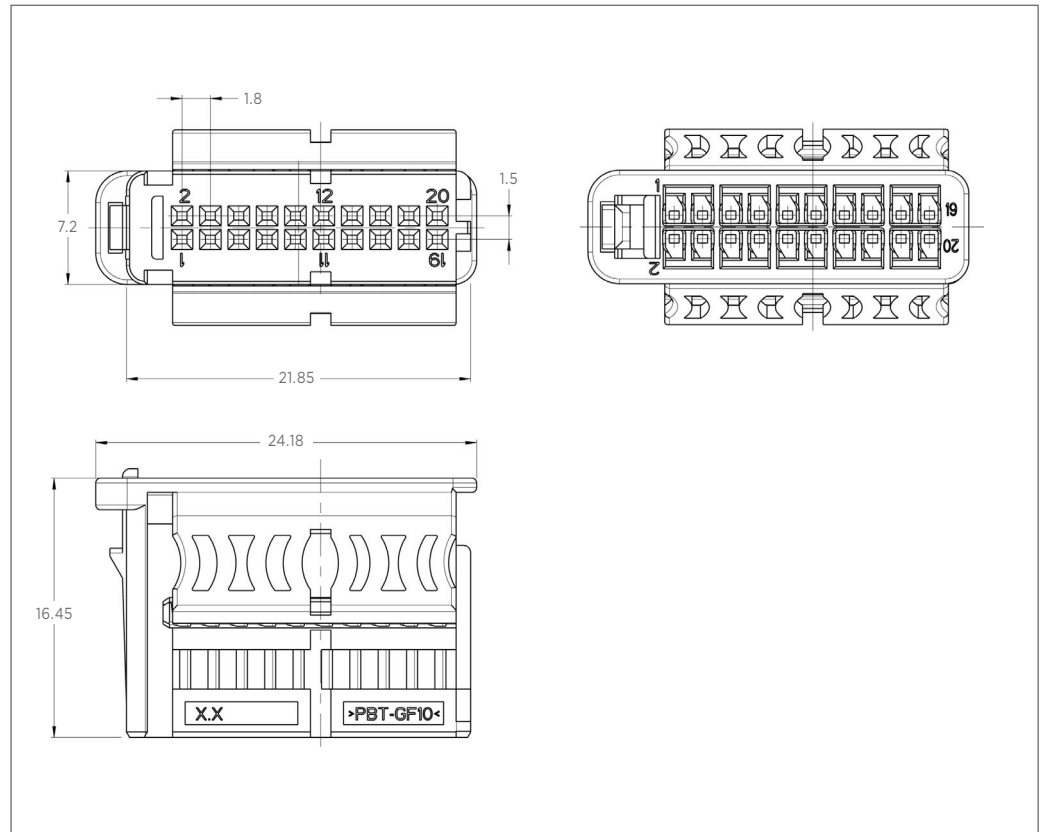
Application Specification:

114-94033

Extraction Tool:

1355968-1

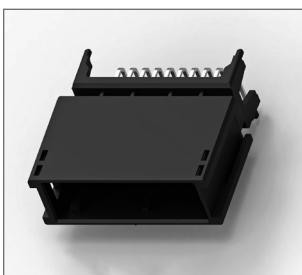
Receptacle Housings - 2 Row Design - 20 Positions



Keying Options	Housing Color	Part Numbers							
		Receptacle Housing	Cover	Locking Device	Cover and Lever	Mating Tab Housing	Mating PCB Headers		Contacts
							Right Angle	Vertical	
Coding A	Black	2141404-1					2208165-1		
Coding B	Natural	2141404-2					2208165-2		
Coding C	Blue	2141404-3 *	N/A	N/A	N/A	N/A	2208165-3 *	TBD	x-1703930-x
Coding D	Violet	2141404-4 *					2208165-4 *		
Coding Z	Water Blue	2141404-9					all codings		

* on request

Mating Header see page 27



Receptacle Housings - 1 Row Design - 2 Positions



Technical Features

No. of Positions:
2 Positions

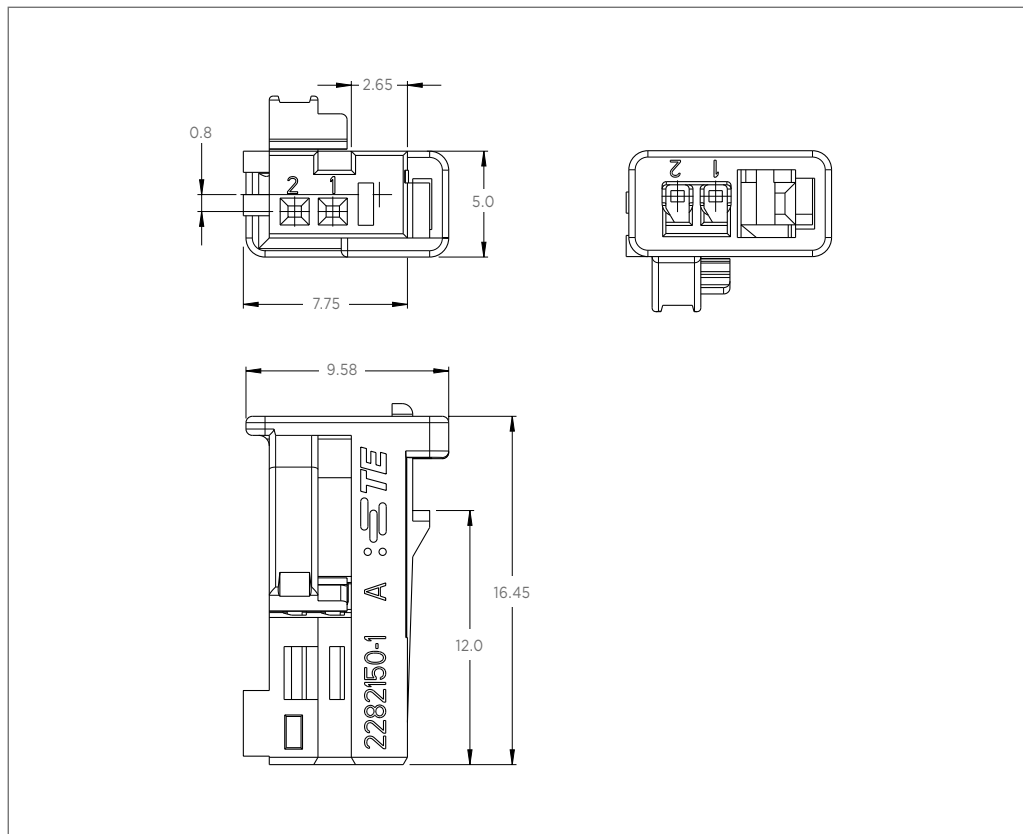
Housing Material:
PBT Glas fibre reinforced

Wire Size Range:
0.13 - 0.35 mm²

Product Specification:
108-94288

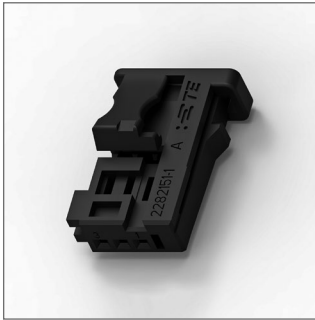
Application Specification:
114-94033

Extraction Tool
1355968-1

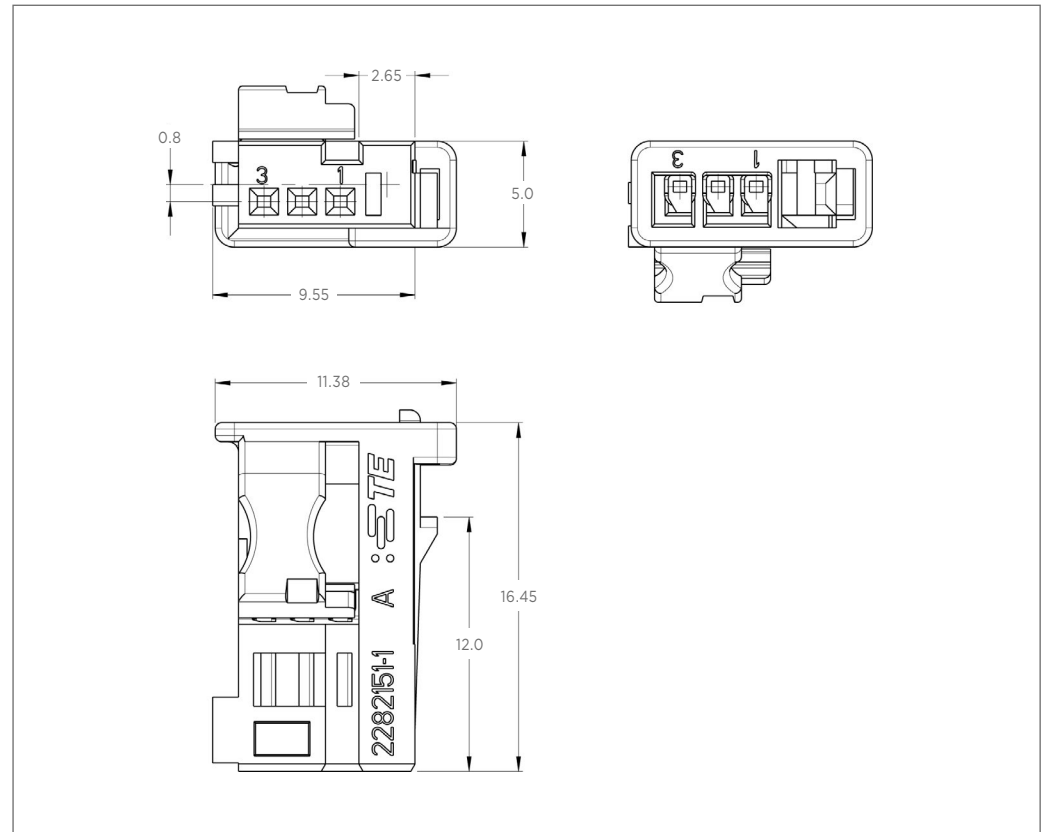


Keying Options	Housing Color	Part Numbers							
		Receptacle Housing	Cover	Locking Device	Cover and Lever	Mating Tab Housing	Mating PCB Headers		Contacts
							Right Angle	Vertical	
Coding A	Black	2282150-1					2315401-1*	2314389-1*	
Coding B	Natural	2282150-2					2315401-2*	2314389-2*	
Coding C	Blue	2282150-3*	N/A	N/A	N/A	TBD	2315401-3*	2314389-3*	x-1703930-x
Coding D	Violet	2282150-4*					2315401-4*	2314389-4*	
Coding Z	Water Blue	2282150-9					all codings		

* on request



Receptacle Housings - 1 Row Design - 3 Positions



Technical Features

No. of Positions:

3 Positions

Housing Material:

PBT Glas fibre reinforced

Wire Size Range:
0.13 - 0.35 mm²
Product Specification:

108-94288

Application Specification:

114-94033

Extraction Tool

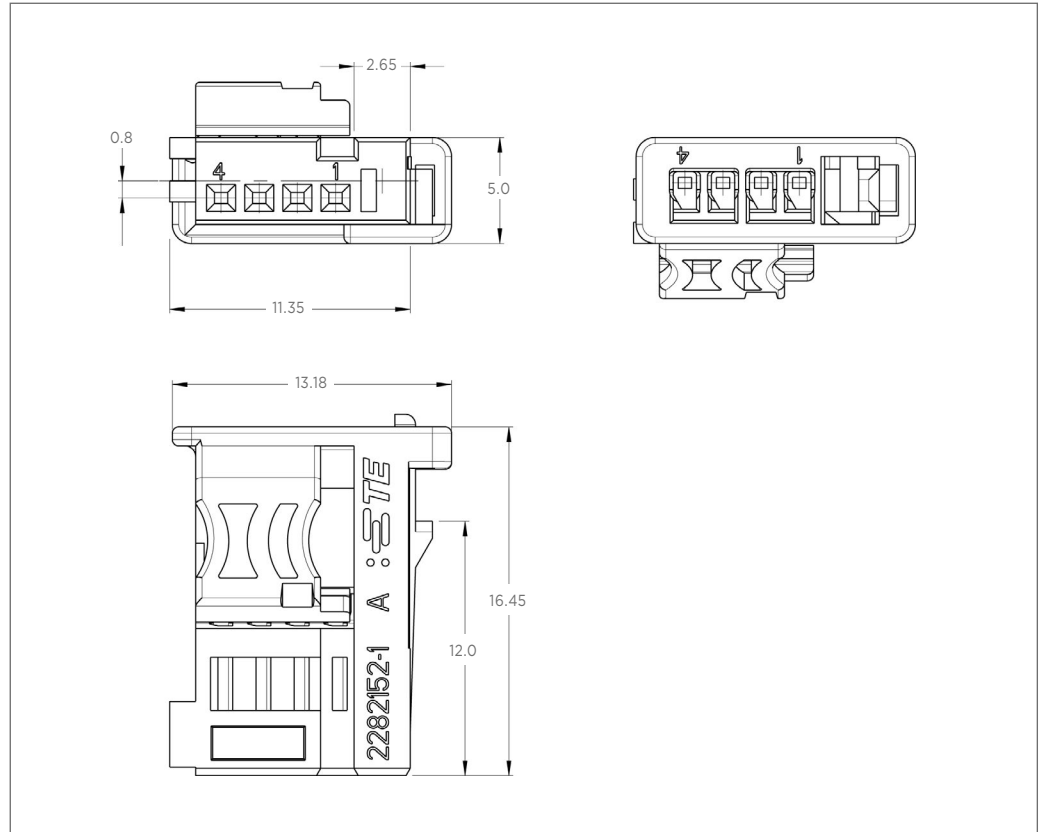
1355968-1

Keying Options	Housing Color	Part Numbers							Contacts
		Receptacle Housing	Cover	Locking Device	Cover and Lever	Mating Tab Housing	Mating PCB Headers		
							Right Angle	Vertical	
Coding A	Black	2282151-1					2315403-1*	2314501-1*	
Coding B	Natural	2282151-2					2315403-2*	2314501-2*	
Coding C	Blue	2282151-3*	N/A	N/A	N/A	TBD	2315403-3*	2314501-3*	x-1703930-x
Coding D	Violet	2282151-4*					2315403-4*	2314501-4*	
Coding Z	Water Blue	2282151-9					all codings		

* on request



Receptacle Housings - 1 Row Design - 4 Positions



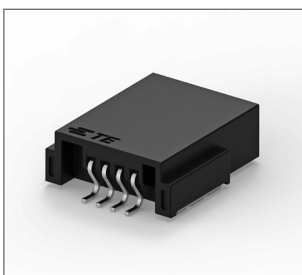
Technical Features

- No. of Positions:**
4 Positions
- Housing Material:**
PBT Glas fibre reinforced
- Wire Size Range:**
0.13 - 0.35 mm²
- Product Specification:**
108-94288
- Application Specification:**
114-94033
- Extraction Tool:**
1355968-1

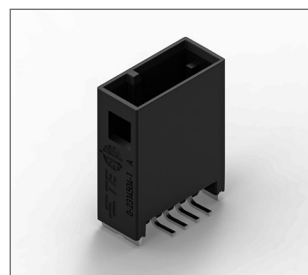
Keying Options	Housing Color	Part Numbers							
		Receptacle Housing	Cover	Locking Device	Cover and Lever	Mating Tab Housing	Mating PCB Headers		Contacts
							Right Angle	Vertical	
Coding A	Black	2282152-1					2315405-1	2314503-1	
Coding B	Natural	2282152-2					2315405-2	2314503-2	
Coding C	Blue	2282152-3*	N/A	N/A	N/A	TBD	2315405-3*	2314503-3*	x-1703930-x
Coding D	Violet	2282152-4*					2315405-4*	2314503-4*	
Coding Z	Water Blue	2282152-9					all codings		

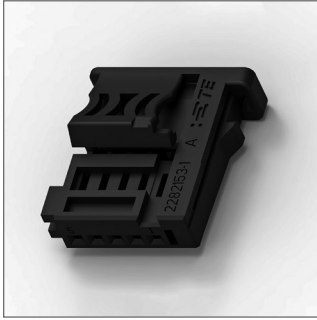
* on request

Mating PCB Header Right Angle see page 92

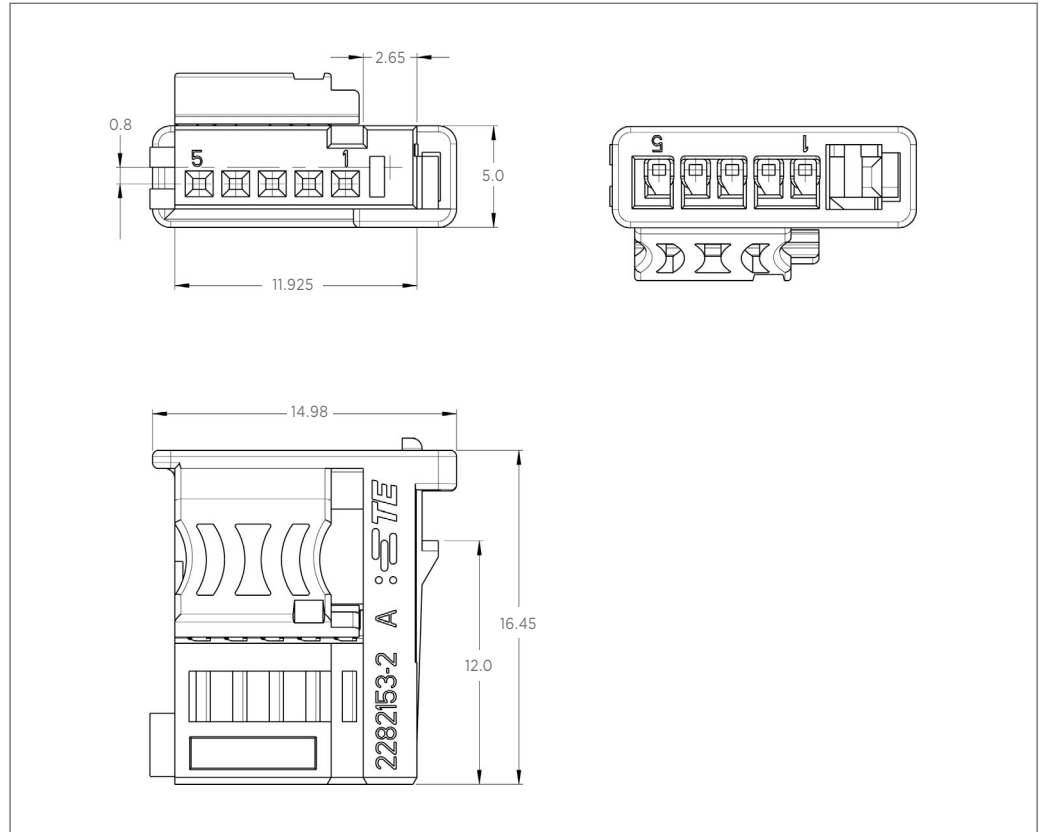


Mating PCB Header Vertical Angle see page 98





Receptacle Housings - 1 Row Design - 5 Positions



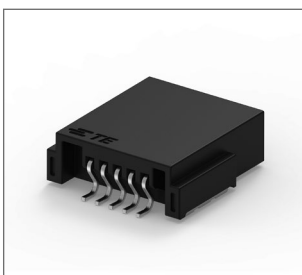
Technical Features

- No. of Positions:**
5 Positions
- Housing Material:**
PBT Glas fibre reinforced
- Wire Size Range:**
0.13 - 0.35 mm²
- Product Specification:**
108-94288
- Application Specification:**
114-94033
- Extraction Tool:**
1355968-1

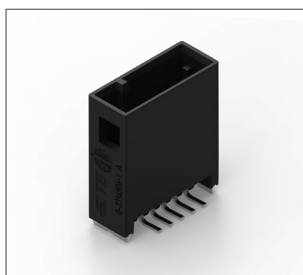
Keying Options	Housing Color	Part Numbers							Contacts
		Receptacle Housing	Cover	Locking Device	Cover and Lever	Mating Tab Housing	Mating PCB Headers		
							Right Angle	Vertical	
Coding A	Black	2282153-1					2315407-1	2314505-1	
Coding B	Natural	2282153-2					2315407-2	2314505-2	
Coding C	Blue	2282153-3*	N/A	N/A	N/A	TBD	2315407-3*	2314505-3	x-1703930-x
Coding D	Violet	2282153-4*					2315407-4*	2314505-4*	
Coding Z	Water Blue	2282153-9					all codings		

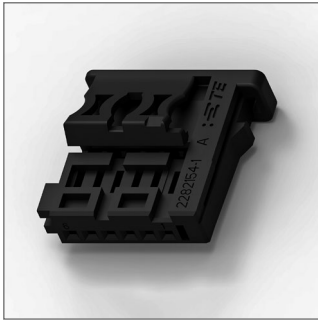
* on request

Mating PCB Header
Right Angle see page 93

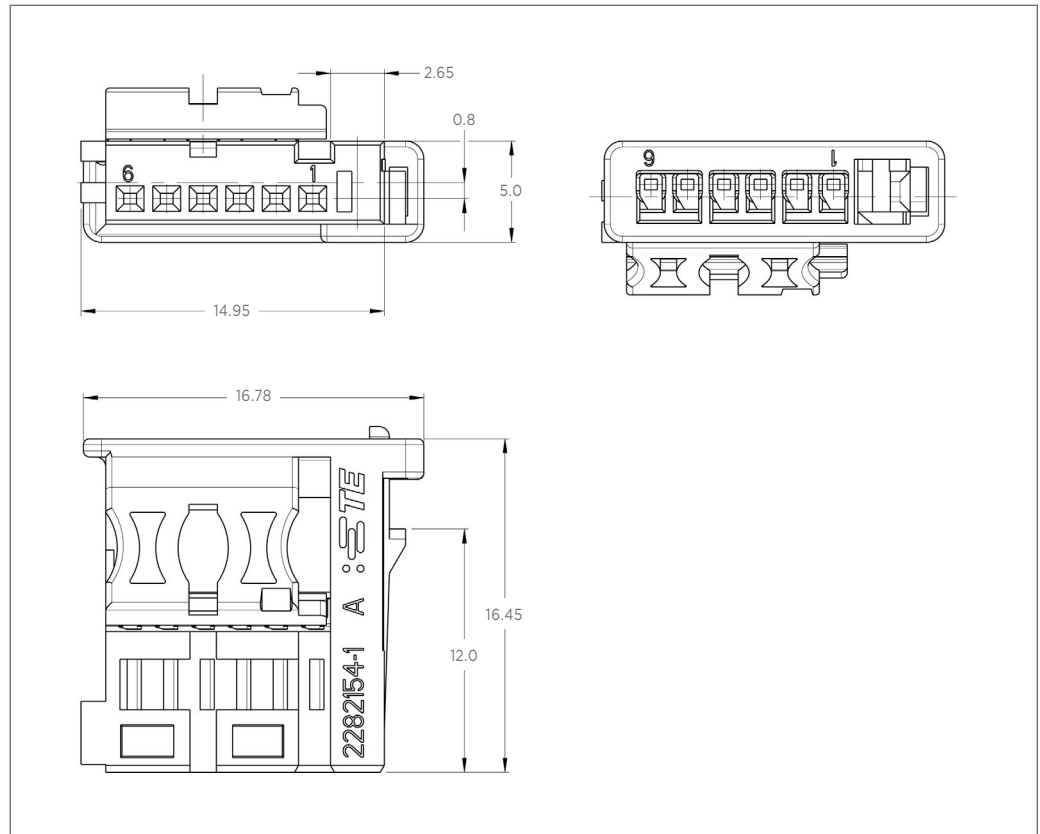


Mating PCB Header
Vertical Angle see page 99





Receptacle Housings - 1 Row Design - 6 Positions



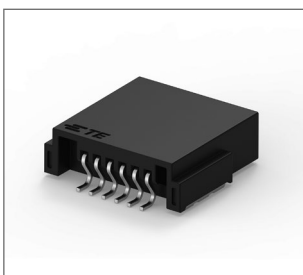
Technical Features

- No. of Positions:** 6 Positions
- Housing Material:** PBT Glas fibre reinforced
- Wire Size Range:** 0.13 - 0.35 mm²
- Product Specification:** 108-94288
- Application Specification:** 114-94033
- Extraction Tool:** 1355968-1

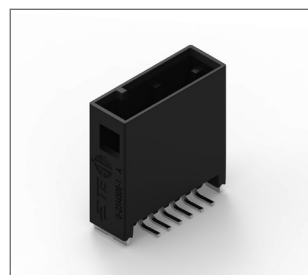
Keying Options	Housing Color	Part Numbers							
		Receptacle Housing	Cover	Locking Device	Cover and Lever	Mating Tab Housing	Mating PCB Headers		Contacts
							Right Angle	Vertical	
Coding A	Black	2282154-1					2311714-1	2314507-1	
Coding B	Natural	2282154-2					2311714-2	2314507-2	
Coding C	Blue	2282154-3*	N/A	N/A	N/A	TBD	2311714-3*	2314507-3*	x-1703930-x
Coding D	Violet	2282154-4*					2311714-4*	2314507-4*	
Coding Z	Water Blue	2282154-9					all codings		

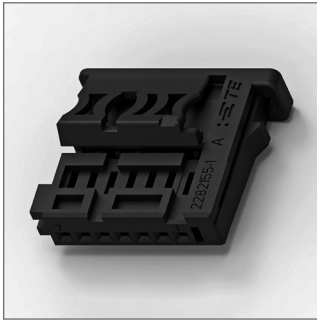
* on request

Mating PCB Header Right Angle see page 94

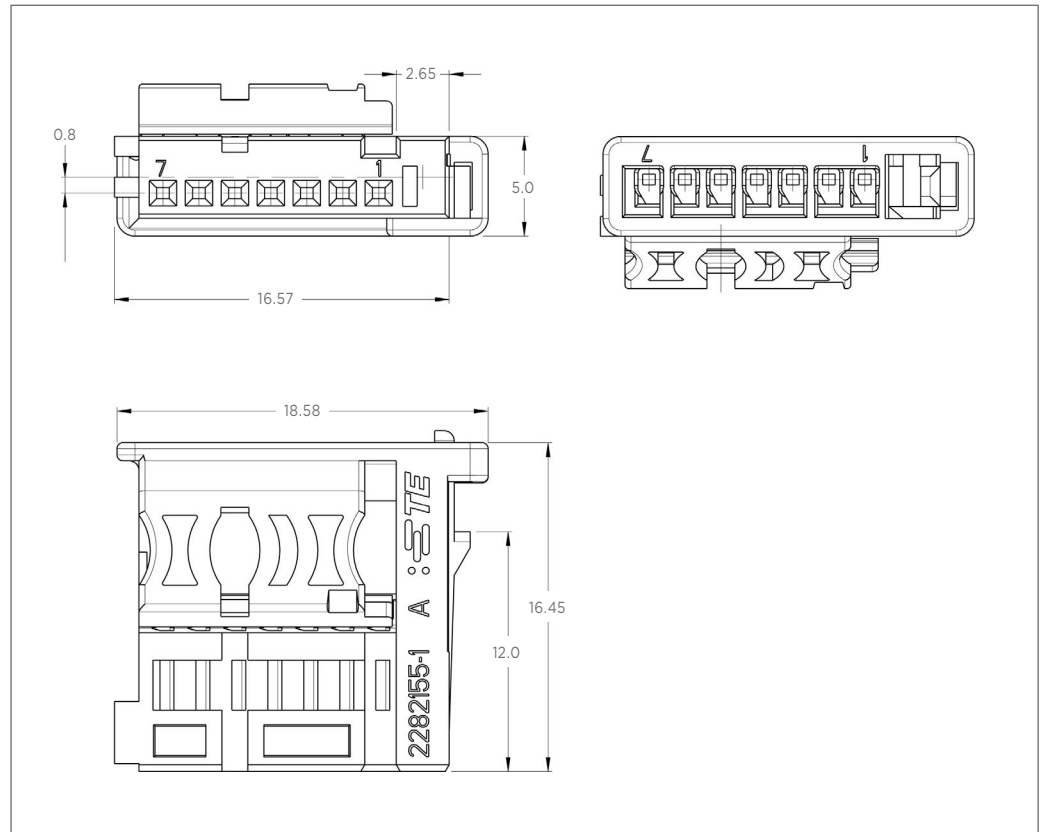


Mating PCB Header Vertical Angle see page 100





Receptacle Housings - 1 Row Design - 7 Positions



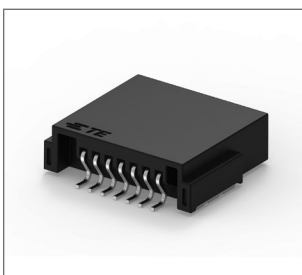
Technical Features

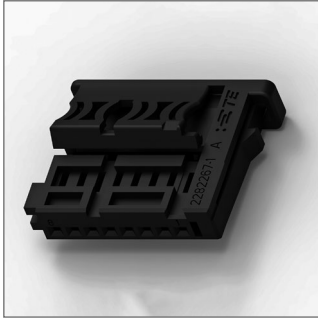
- No. of Positions:**
7 Positions
- Housing Material:**
PBT Glas fibre reinforced
- Wire Size Range:**
0.13 - 0.35 mm²
- Product Specification:**
108-94288
- Application Specification:**
114-94033
- Extraction Tool:**
1355968-1

Keying Options	Housing Color	Part Numbers							
		Receptacle Housing	Cover	Locking Device	Cover and Lever	Mating Tab Housing	Mating PCB Headers		Contacts
							Right Angle	Vertical	
Coding A	Black	2282155-1					2315409-1	2314509-1*	
Coding B	Natural	2282155-2					2315409-2	2314509-2*	
Coding C	Blue	2282155-3*	N/A	N/A	N/A	TBD	2315409-3*	2314509-3*	x-1703930-x
Coding D	Violet	2282155-4*					2315409-4*	2314509-4*	
Coding Z	Water Blue	2282155-9					all codings		

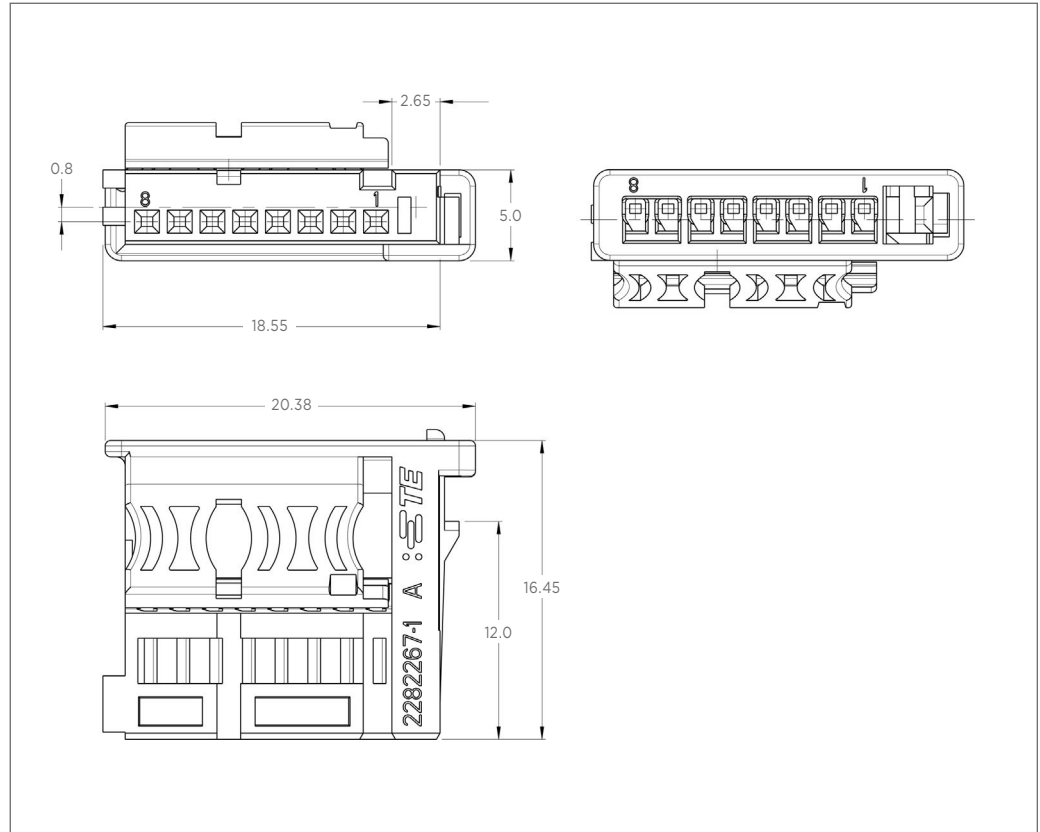
* on request

Mating PCB Header
Right Angle see page 95





Receptacle Housings - 1 Row Design - 8 Positions



Technical Features

- No. of Positions:** 8 Positions
- Housing Material:** PBT Glas fibre reinforced
- Wire Size Range:** 0.13 - 0.35 mm²
- Product Specification:** 108-94288
- Application Specification:** 114-94033
- Extraction Tool:** 1355968-1

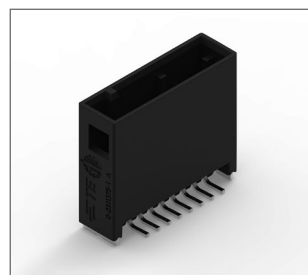
Keying Options	Housing Color	Part Numbers							
		Receptacle Housing	Cover	Locking Device	Cover and Lever	Mating Tab Housing	Mating PCB Headers		Contacts
							Right Angle	Vertical	
Coding A	Black	2282267-1					2315411-1	2311396-1	
Coding B	Natural	2282267-2					2315411-2	2311396-2	
Coding C	Blue	2282267-3*	N/A	N/A	N/A	TBD	2315411-3*	2311396-3	x-1703930-x
Coding D	Violet	2282267-4*					2315411-4*	2314509-4*	
Coding Z	Water Blue	2282267-9					all codings		

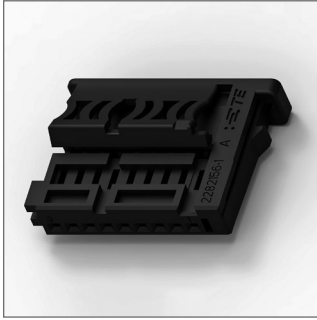
* on request

Mating PCB Header Right Angle see page 96

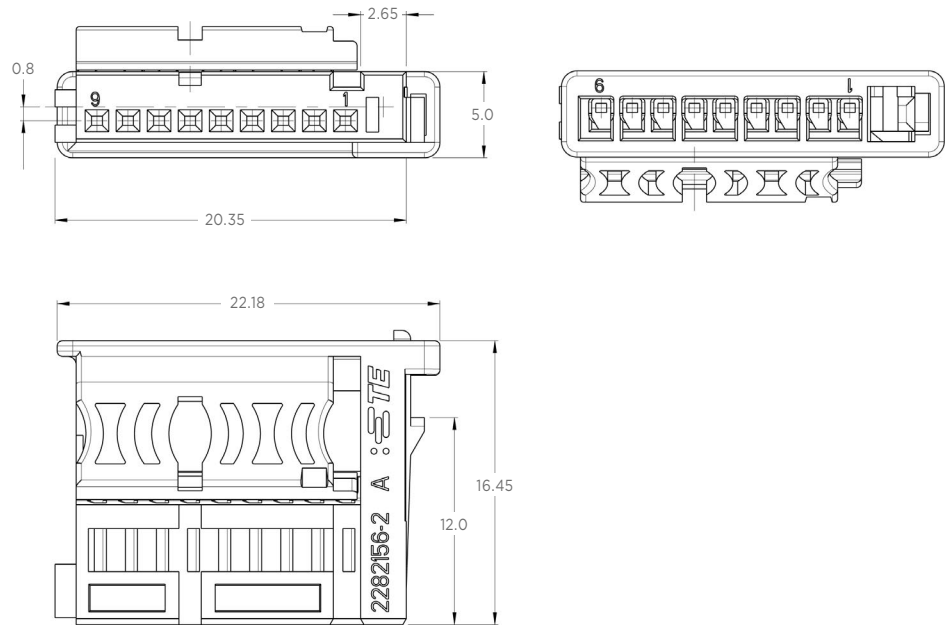


Mating PCB Header Vertical Angle see page 101





Receptacle Housings - 1 Row Design - 9 Positions



Technical Features

No. of Positions:

9 Positions

Housing Material:

PBT Glas fibre reinforced

Wire Size Range:
0.13 - 0.35 mm²
Product Specification:

108-94288

Application Specification:

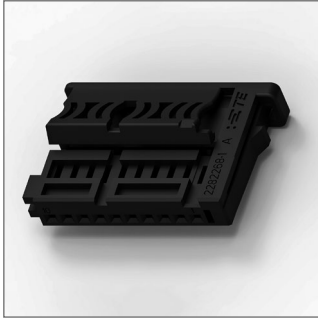
114-94033

Extraction Tool:

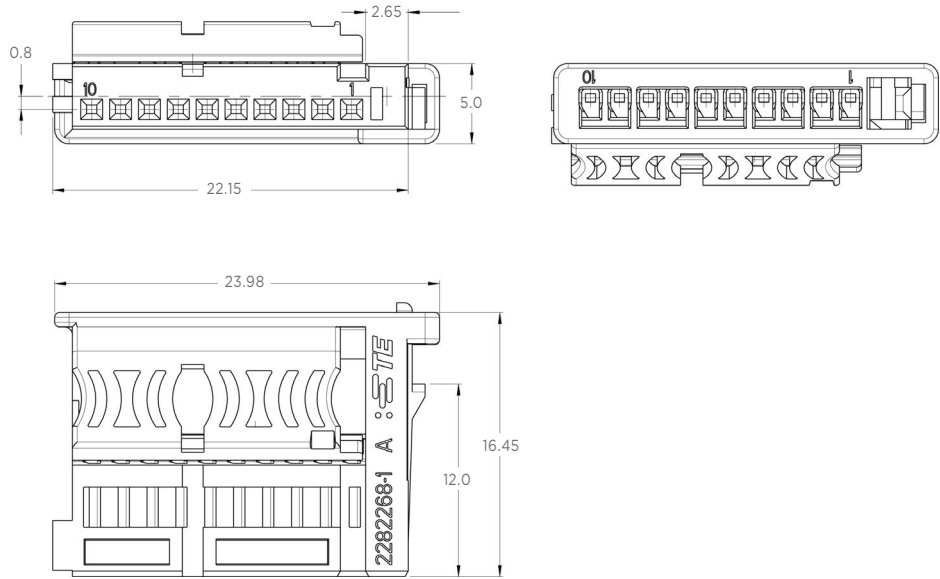
1355968-1

Keying Options	Housing Color	Part Numbers							
		Receptacle Housing	Cover	Locking Device	Cover and Lever	Mating Tab Housing	Mating PCB Headers		Contacts
							Right Angle	Vertical	
Coding A	Black	2282156-1					2315413-1*	2314511-1*	
Coding B	Natural	2282156-2					2315413-2*	2314511-2*	
Coding C	Blue	2282156-3*	N/A	N/A	N/A	TBD	2315413-3*	2314511-3*	x-1703930-x
Coding D	Violet	2282156-4*					2315413-4*	2314511-4*	
Coding Z	Water Blue	2282156-9					all codings		

* on request



Receptacle Housings - 1 Row Design - 10 Positions



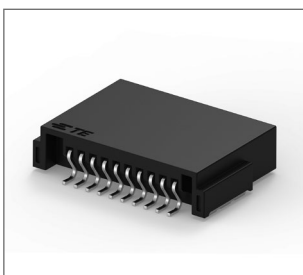
Technical Features

- No. of Positions:**
10 Positions
- Housing Material:**
PBT Glas fibre reinforced
- Wire Size Range:**
0.13 - 0.35 mm²
- Product Specification:**
108-94288
- Application Specification:**
114-94033
- Extraction Tool:**
1355968-1

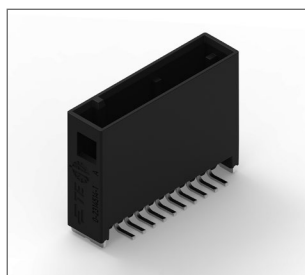
Keying Options	Housing Color	Part Numbers							
		Receptacle Housing	Cover	Locking Device	Cover and Lever	Mating Tab Housing	Mating PCB Headers		Contacts
							Right Angle	Vertical	
Coding A	Black	2282268-1					2315415-1	2314513-1	
Coding B	Natural	2282268-2					2315415-2	2314513-2	
Coding C	Blue	2282268-3*	N/A	N/A	N/A	TBD	2315415-3*	2314513-3*	x-1703930-x
Coding D	Violet	2282268-4*					2315415-4*	2314513-4*	
Coding Z	Water Blue	2282268-9					all codings		

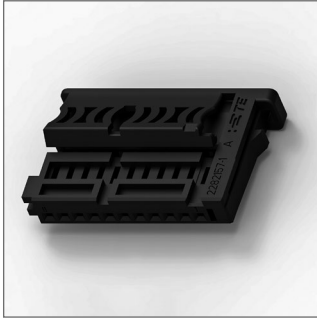
* on request

Mating PCB Header Right Angle see page 97



Mating PCB Header Vertical Angle see page 102





Technical Features

No. of Positions:

11 Positions

Housing Material:

PBT Glas fibre reinforced

Wire Size Range:
0.13 - 0.35 mm²
Product Specification:

108-94288

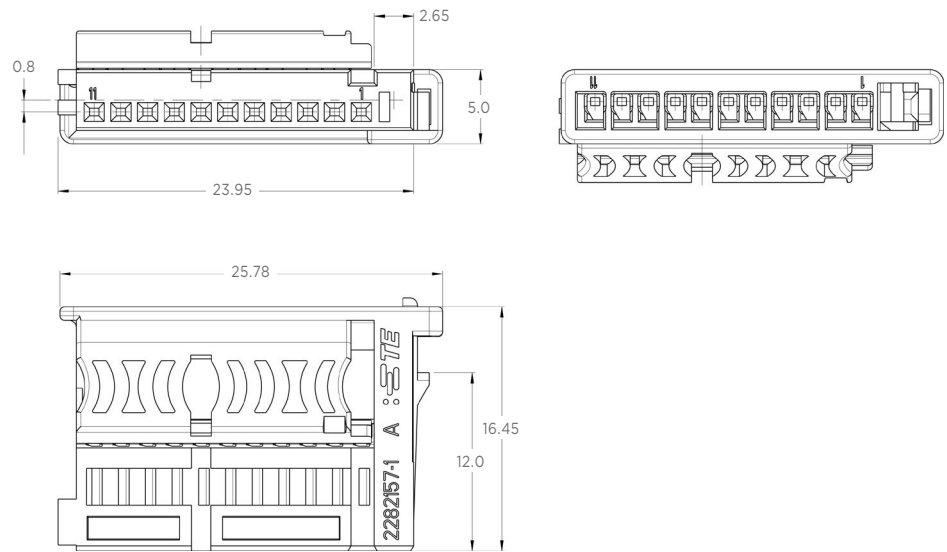
Application Specification:

114-94033

Extraction Tool:

1355968-1

Receptacle Housings - 1 Row Design - 11 Positions

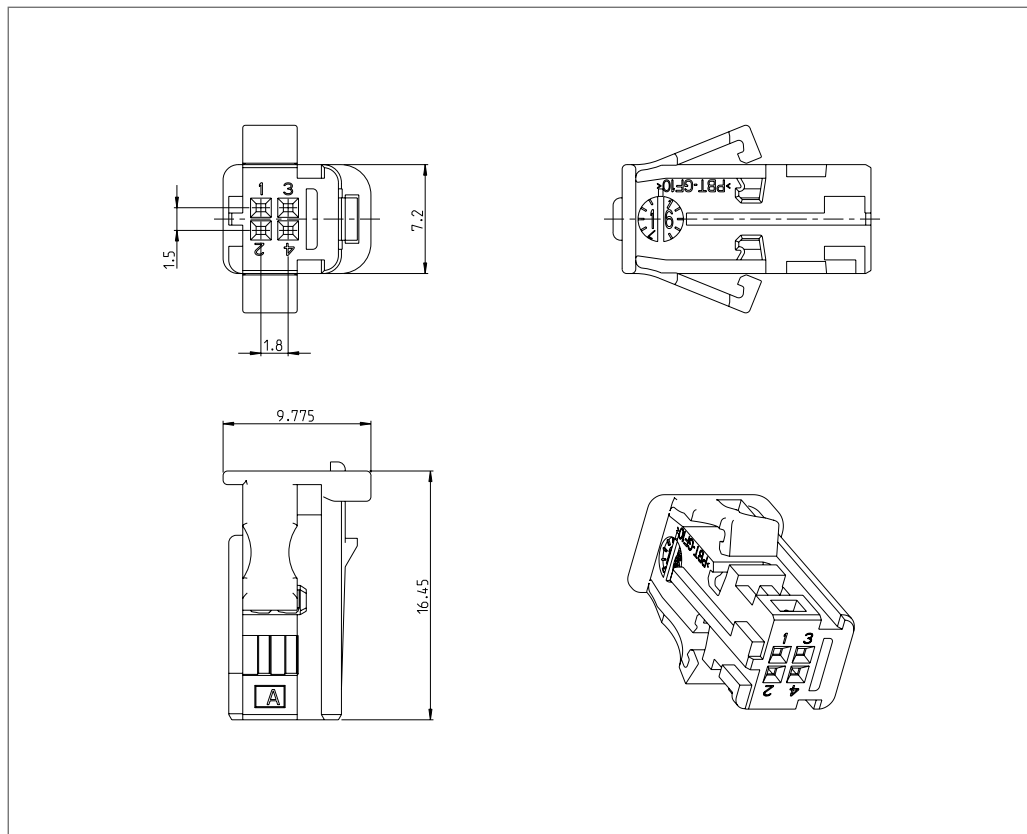


Keying Options	Housing Color	Part Numbers							Contacts
		Receptacle Housing	Cover	Locking Device	Cover and Lever	Mating Tab Housing	Mating PCB Headers		
							Right Angle	Vertical	
Coding A	Black	2282157-1					2315417-1*	2314515-1*	
Coding B	Natural	2282157-2					2315417-2*	2314515-2*	
Coding C	Blue	2282157-3*	N/A	N/A	N/A	TBD	2315417-3*	2314515-3*	x-1703930-x
Coding D	Violet	2282157-4*					2315417-4*	2314515-4*	
Coding Z	Water Blue	2282157-9					all codings		

* on request



Receptacle Housings - 2 Row Design - 4 Positions



Technical Features

No. of Positions:
4 Positions

Housing Material:
PBT-GF10

Wire Size Range:
0.13 - 0.35 mm²

Interface:
114-94000-20

Product Specification:
108-94288

Application Specification:
114-94491

Keying Options	Housing Color	Part Numbers			
		Receptacle Housing	Mating PCB Headers		Contacts
			Right Angle	Vertical	
Coding A	Black	2320004-1			
Coding B	Natural	2320004-2			
Coding C	Blue	2320004-3*	TBD	TBD	x-1703930-x
Coding D	Violet	2320004-4*			

* on request



Technical Features

No. of Positions:

6 Positions

Housing Material:

PBT-GF10

Wire Size Range:
0.13 - 0.35 mm²
Interface:

114-94000-20

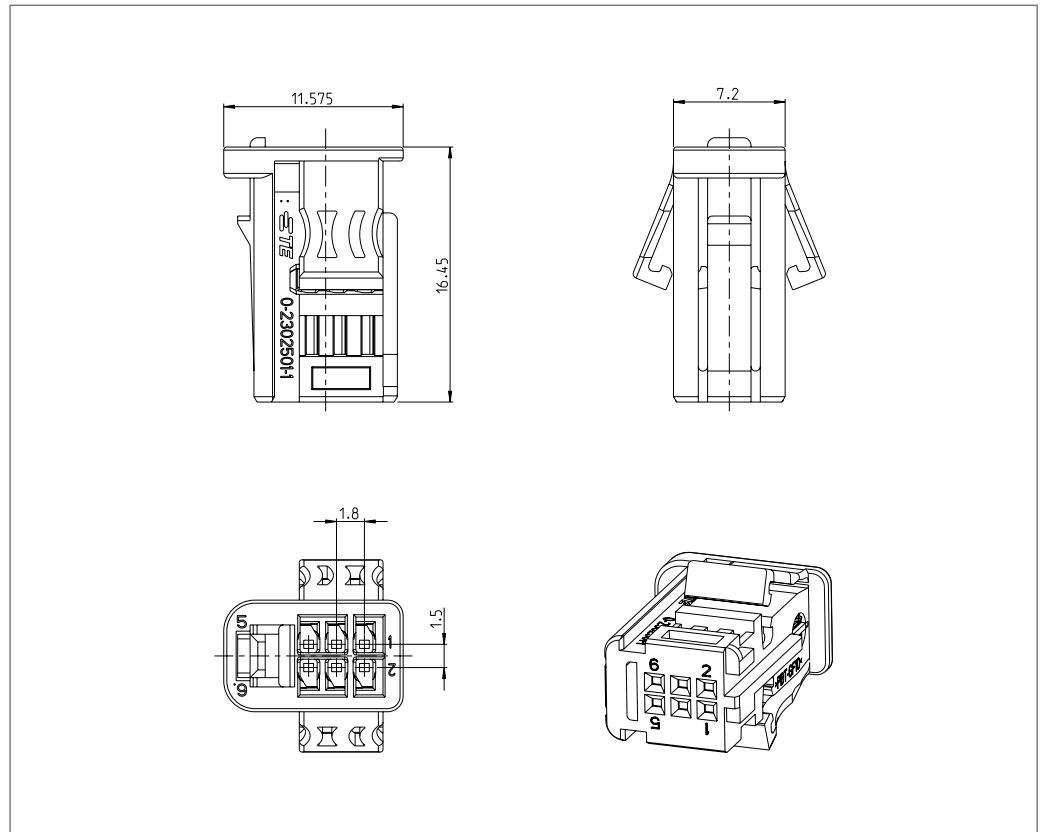
Product Specification:

108-94288

Application Specification:

114-94491

Receptacle Housings - 2 Row Design - 6 Positions

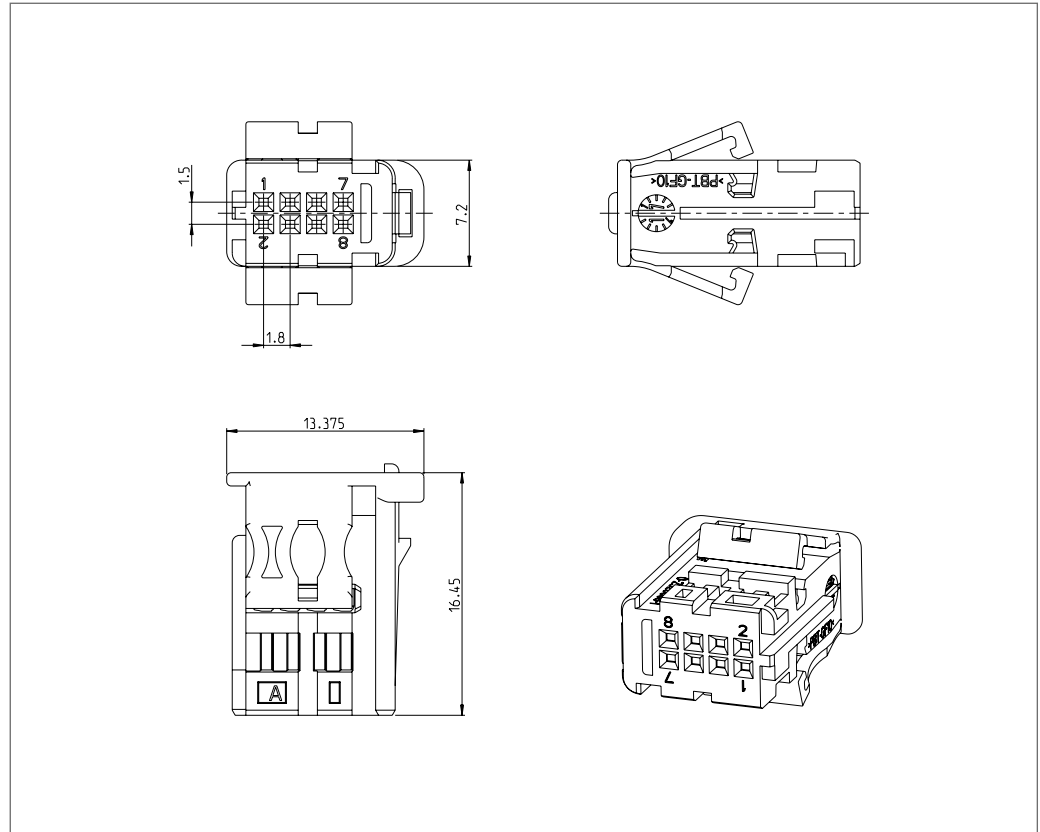


Keying Options	Housing Color	Part Numbers			Contacts
		Receptacle Housing	Mating PCB Headers		
			Right Angle	Vertical	
Coding A	Black	2302501-1	2317501-1*	2317521-1*	x-1703930-x
Coding B	Natural	2302501-2	2317501-2*	2317521-2*	
Coding C	Blue	2302501-3*	2317501-3*	2317521-3*	
Coding D	Violet	2302501-4*	2317501-4*	2317521-4*	

* on request



Receptacle Housings - 2 Row Design - 8 Positions



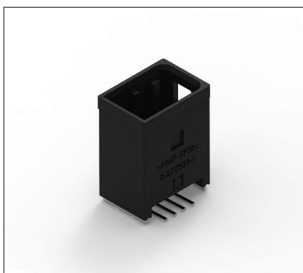
Technical Features

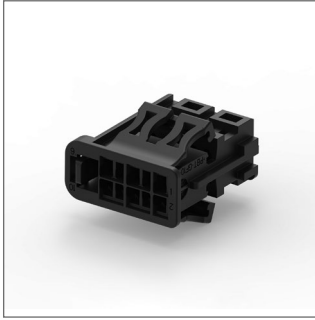
- No. of Positions:**
8 Positions
- Housing Material:**
PBT-GF10
- Wire Size Range:**
0.13 - 0.35 mm²
- Interface:**
114-94000-20
- Product Specification:**
108-94288
- Application Specification:**
114-94491

Keying Options	Housing Color	Part Numbers			Contacts
		Receptacle Housing	Mating PCB Headers		
			Right Angle	Vertical	
Coding A	Black	2320008-1	2317503-1*	2317523-1	x-1703930-x
Coding B	Natural	2320008-2	2317503-2*	2317523-2	
Coding C	Blue	2320008-3*	2317503-3*	2317523-3*	
Coding D	Violet	2320008-4*	2317503-4*	2317523-4*	

* on request

Mating PCB Header see page 107





Technical Features

No. of Positions:
10 Positions

Housing Material:
PBT-GF10

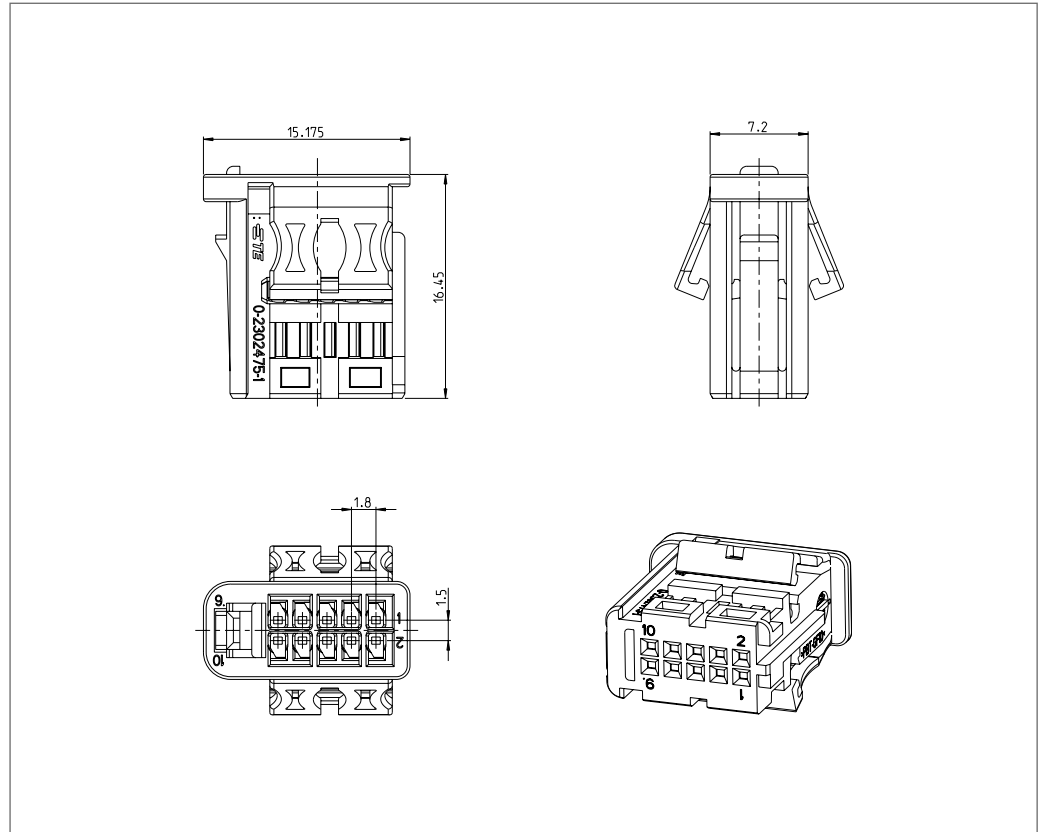
Wire Size Range:
0.13 - 0.35 mm²

Interface:
114-94000-20

Product Specification:
108-94288

Application Specification:
114-94491

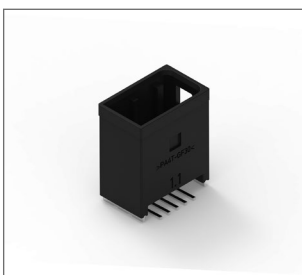
Receptacle Housings - 2 Row Design - 10 Positions

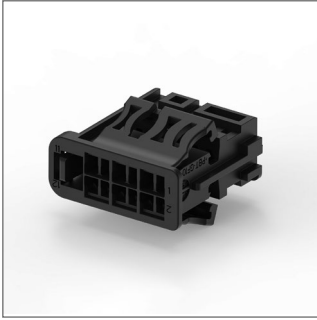


Keying Options	Housing Color	Receptacle Housing	Part Numbers		Contacts
			Mating PCB Headers		
			Right Angle	Vertical	
Coding A	Black	2302475-1	2317505-1*	2317525-1	x-1703930-x
Coding B	Natural	2302475-2	2317505-2*	2317525-2	
Coding C	Blue	2302475-3	2317505-3*	2317525-3*	
Coding D	Violet	2302475-4	2317505-4*	2317525-4*	

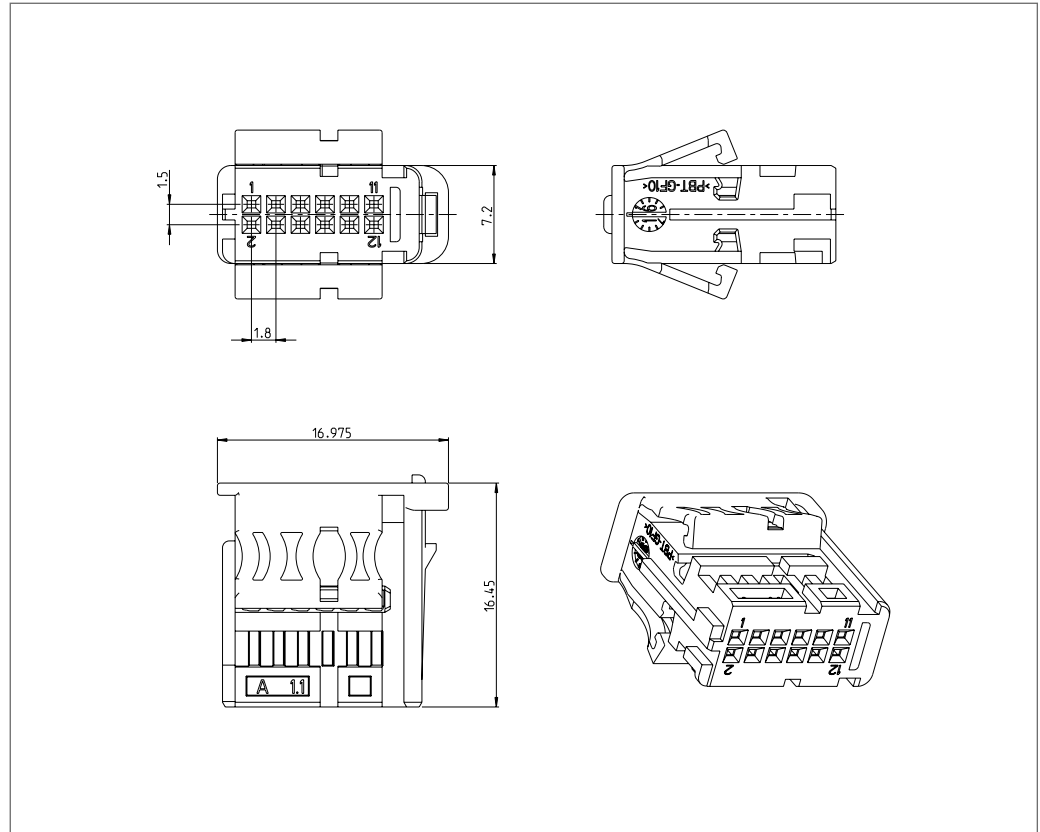
* on request

Mating PCB Header
Vertical see page 108





Receptacle Housings - 2 Row Design - 12 Positions



Technical Features

- No. of Positions:**
12 Positions
- Housing Material:**
PBT-GF10
- Wire Size Range:**
0.13 - 0.35 mm²
- Interface:**
114-94000-20
- Product Specification:**
108-94288
- Application Specification:**
114-94491

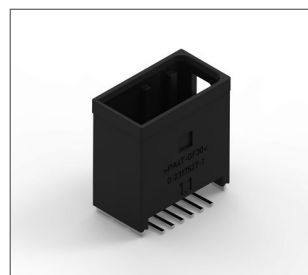
Keying Options	Housing Color	Part Numbers			Contacts
		Receptacle Housing	Mating PCB Headers		
			Right Angle	Vertical	
Coding A	Black	2312212-1	2317507-1	2317527-1	x-1703930-x
Coding B	Natural	2312212-2	2317507-2	2317527-2	
Coding C	Blue	2312212-3*	2317507-3*	2317527-3*	
Coding D	Violet	2312212-4*	2317507-4*	2317527-4*	

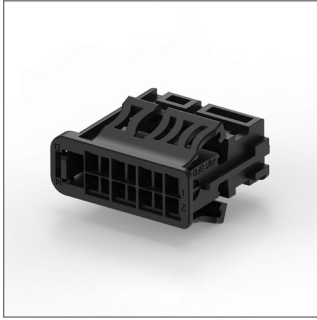
* on request

Mating PCB Header
Right Angle see page 103



Mating PCB Header
Vertical see page 109

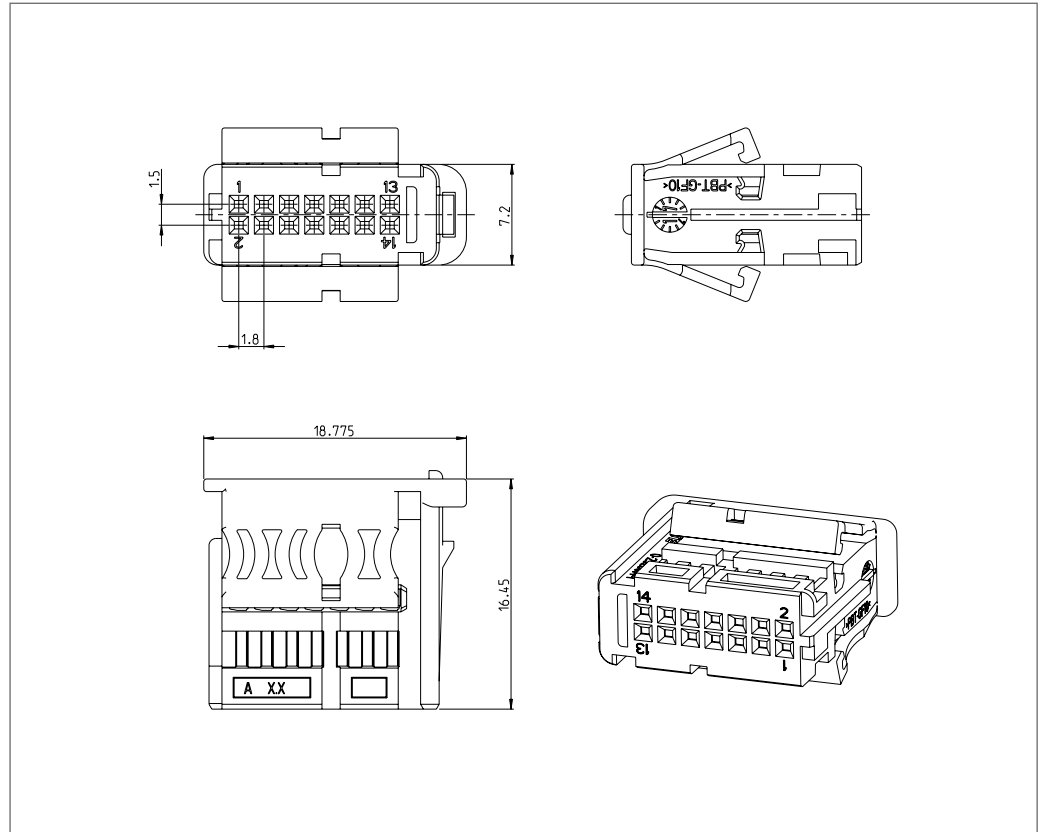




Technical Features

- No. of Positions:**
14 Positions
- Housing Material:**
PBT-GF10
- Wire Size Range:**
0.13 - 0.35 mm²
- Interface:**
114-94000-20
- Product Specification:**
108-94288
- Application Specification:**
114-94491

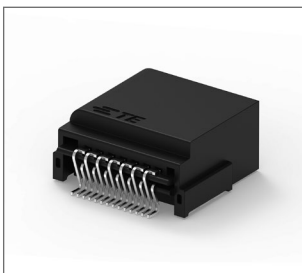
Receptacle Housings - 2 Row Design - 14 Positions



Keying Options	Housing Color	Part Numbers			Contacts
		Receptacle Housing	Mating PCB Headers		
			Right Angle	Vertical	
Coding A	Black	2320014-1	2317509-1	2317529-1*	x-1703930-x
Coding B	Natural	2320014-2	2317509-2	2317529-2*	
Coding C	Blue	2320014-3*	2317509-3*	2317529-3*	
Coding D	Violet	2320014-4*	2317509-4*	2317529-4*	

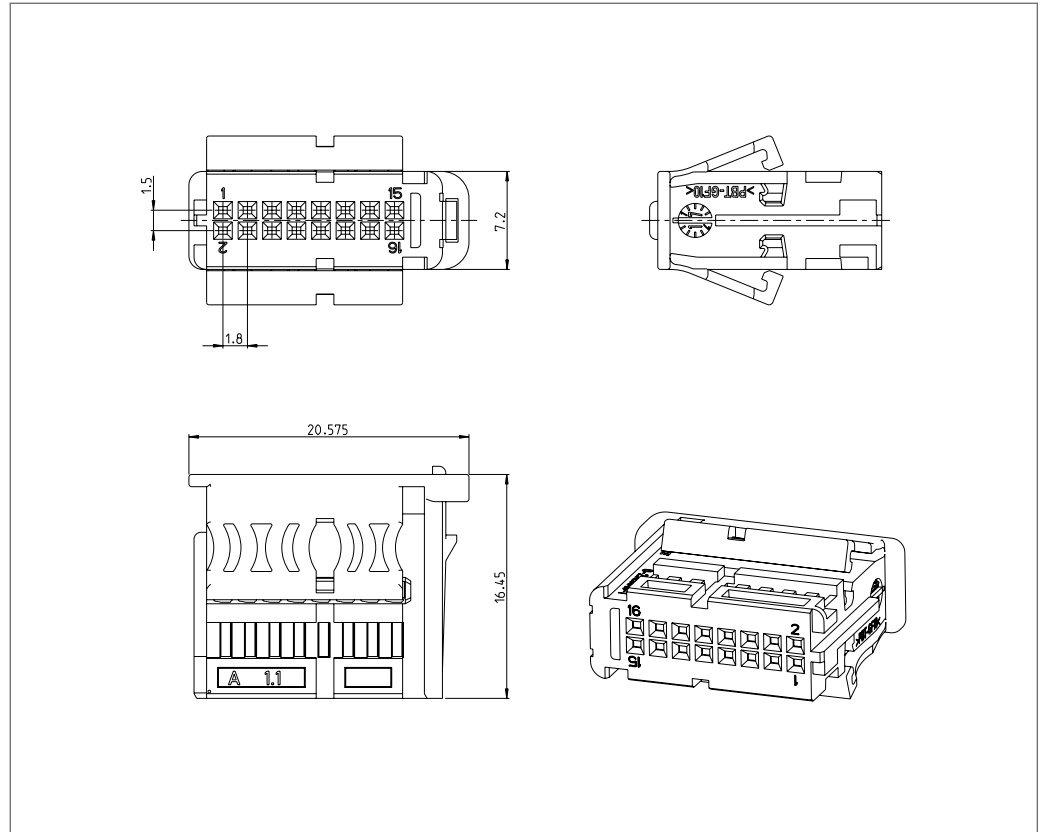
* on request

Mating PCB Header
Right Angle see page 104





Receptacle Housings - 2 Row Design - 16 Positions



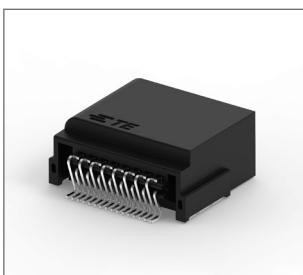
Technical Features

- No. of Positions:**
16 Positions
- Housing Material:**
PBT-GF10
- Wire Size Range:**
0.13 - 0.35 mm²
- Interface:**
114-94000-20
- Product Specification:**
108-94288
- Application Specification:**
114-94491

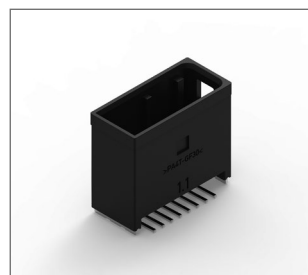
Keying Options	Housing Color	Part Numbers			
		Receptacle Housing	Mating PCB Headers		Contacts
			Right Angle	Vertical	
Coding A	Black	2320016-1	2317511-1	2317531-1	x-1703930-x
Coding B	Natural	2320016-2	2317511-2	2317531-2	
Coding C	Blue	2320016-3*	2317511-3*	2317531-3*	
Coding D	Violet	2320016-4*	2317511-4*	2317531-4*	

* on request

Mating PCB Header
Right Angle see page 105



Mating PCB Header
Vertical see page 110





Technical Features

No. of Positions:
18 Positions

Housing Material:
PBT-GF10

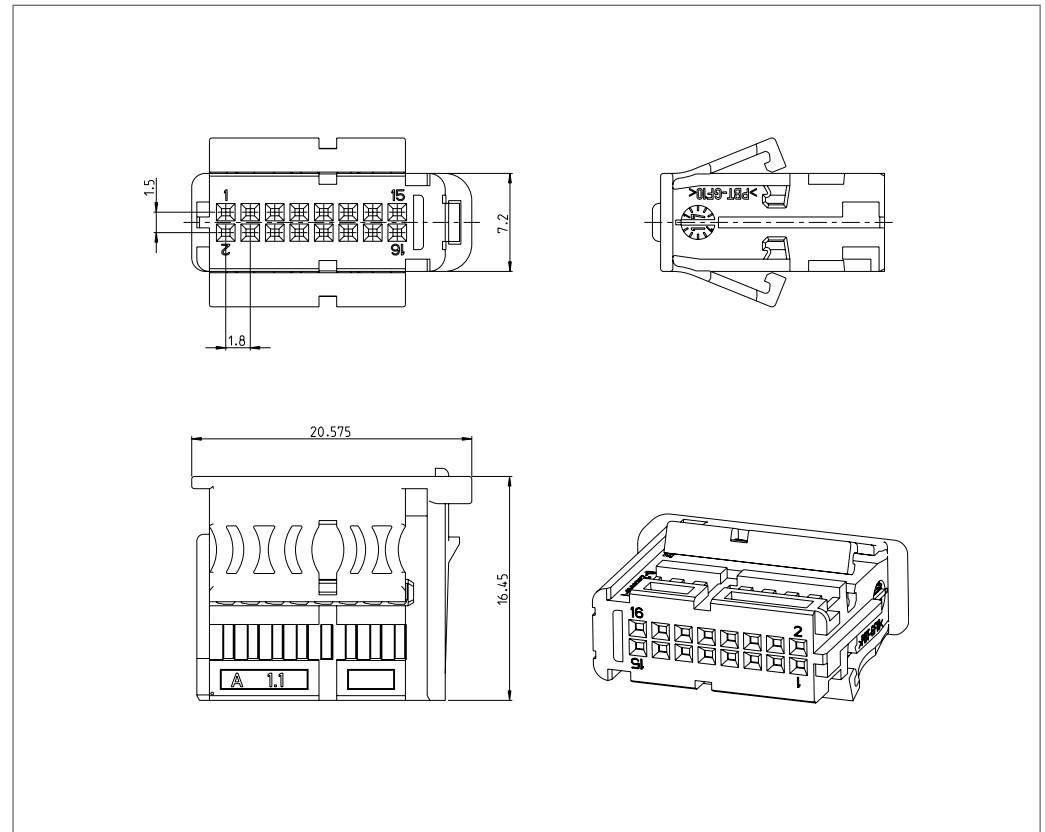
Wire Size Range:
0.13 - 0.35 mm²

Interface:
114-94000-20

Product Specification:
108-94288

Application Specification:
114-94491

Receptacle Housings - 2 Row Design - 18 Positions

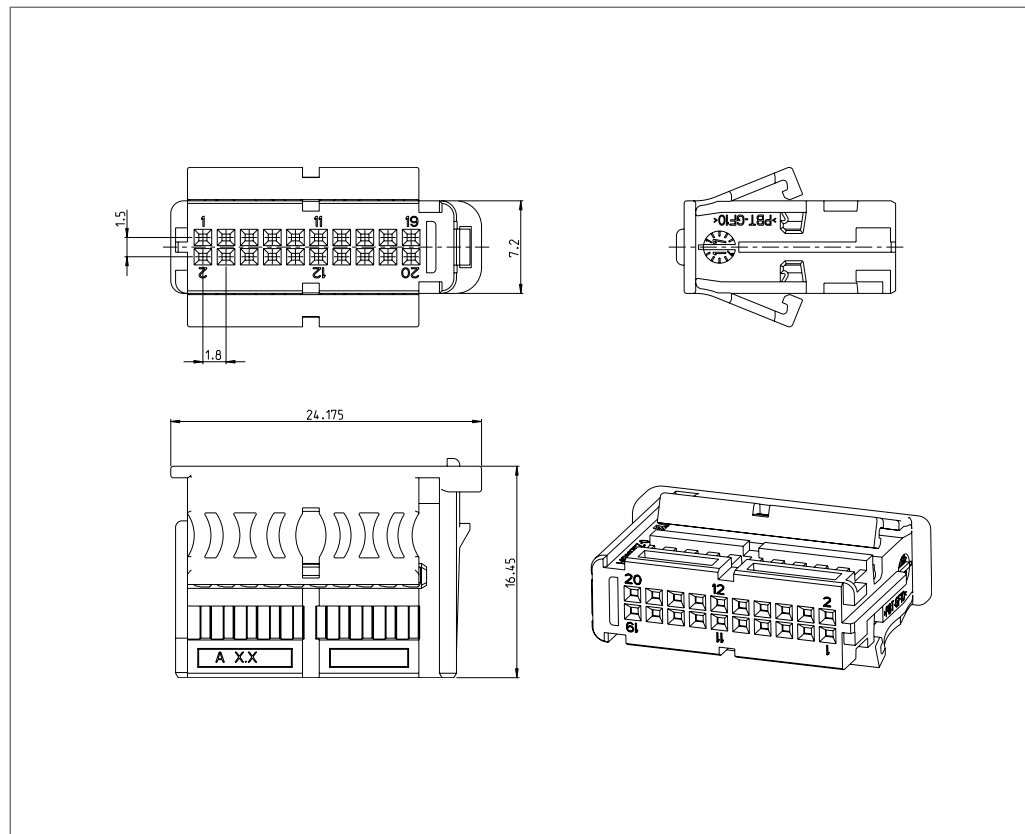


Keying Options	Housing Color	Part Numbers			Contacts
		Receptacle Housing	Mating PCB Headers		
			Right Angle	Vertical	
Coding A	Black	2312218-1	2317513-1*	2317533-1*	x-1703930-x
Coding B	Natural	2312218-2	2317513-2*	2317533-2*	
Coding C	Blue	2312218-3*	2317513-3*	2317533-3*	
Coding D	Violet	2312218-4*	2317513-4*	2317533-4*	

* on request



Receptacle Housings - 2 Row Design - 20 Positions



Technical Features

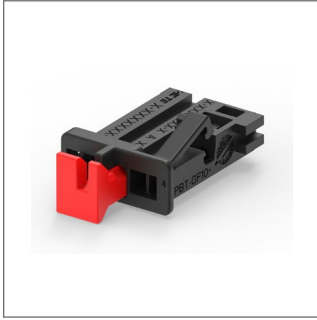
- No. of Positions:**
20 Positions
- Housing Material:**
PBT-GF10
- Wire Size Range:**
0.13 - 0.35 mm²
- Interface:**
114-94000-20
- Product Specification:**
108-94288
- Application Specification:**
114-94491

Keying Options	Housing Color	Part Numbers			Contacts
		Receptacle Housing	Mating PCB Headers		
			Right Angle	Vertical	
Coding A	Black	2320020-1	2317515-1	2317535-1*	x-1703930-x
Coding B	Natural	2320020-2	2317515-2	2317535-2*	
Coding C	Blue	2320020-3*	2317515-3*	2317535-3*	
Coding D	Violet	2320020-4*	2317515-4*	2317535-4*	

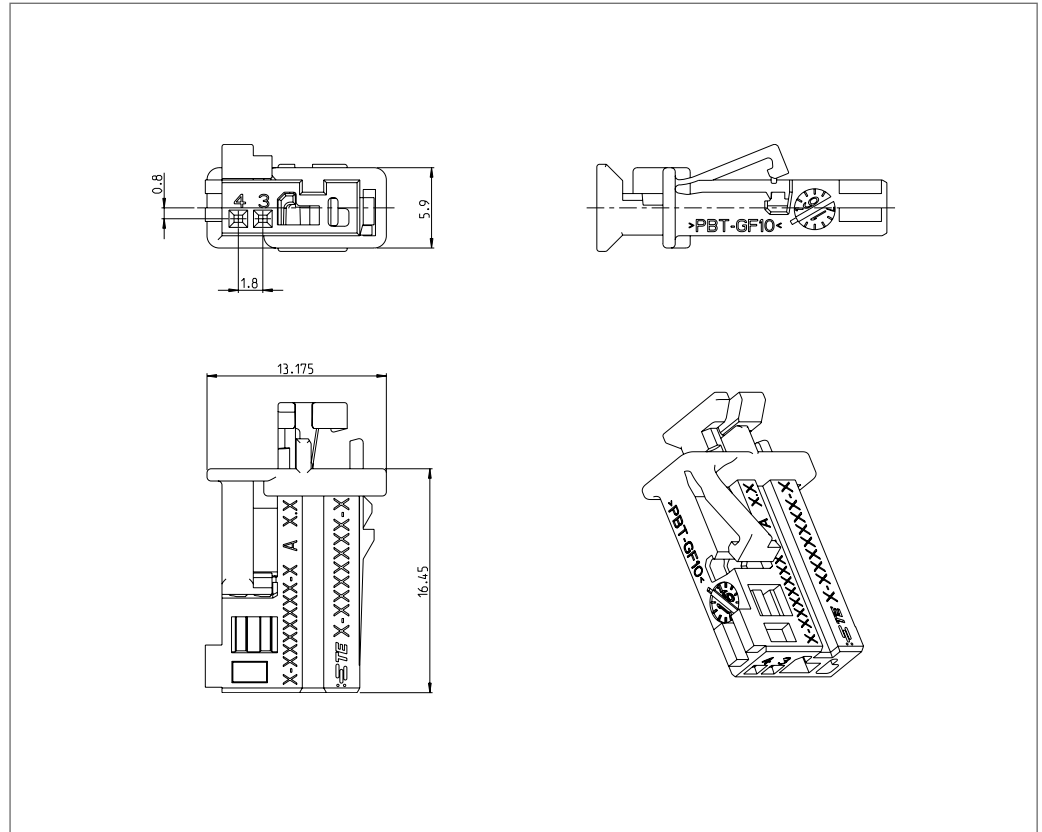
* on request

Mating PCB Header
Right Angle see page 106





Receptacle Housings - 1 Row Design - 2 Pos with CPA

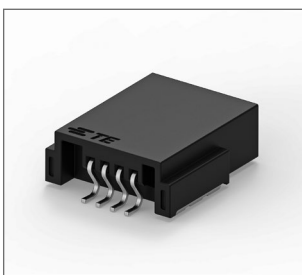


Technical Features

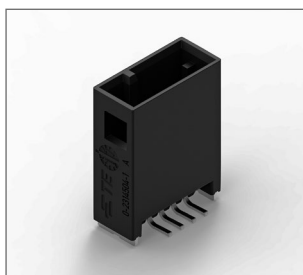
- No. of Positions:**
2 Positions
- Housing Material:**
PBT-GF10
- Wire Size Range:**
0.13-0.35 mm²
- Interface:**
208-18060
- Product Specification:**
108-94288
- Application Specification:**
114-94491

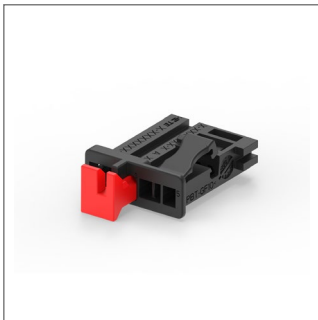
Keying Options	Housing Color	Part Numbers				
		Receptacle Housing	CPA	Mating PCB Headers		Contacts
				Right Angle	Vertical	
Coding A	Black	2333102-1	Yes	2315405-1	2314503-1	x-1703930-x
Coding B	Natural	2333102-2		2315405-2	2314503-2	

Mating PCB Header
Right Angle see page 92

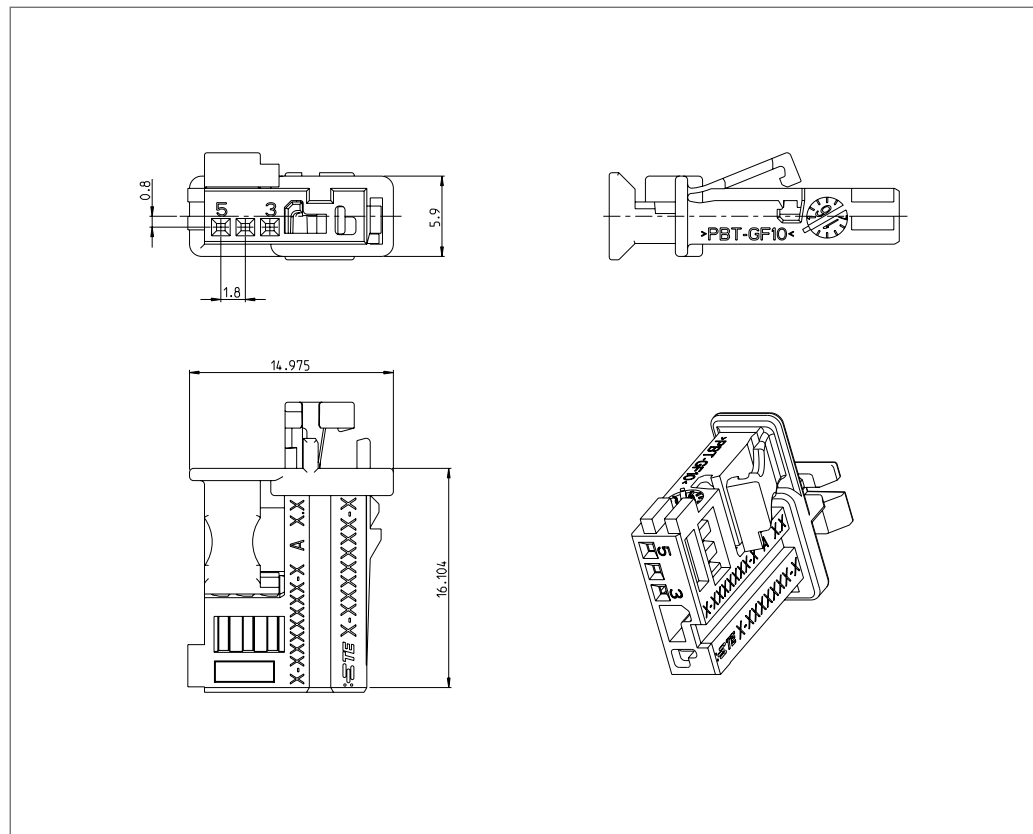


Mating PCB Header
Vertical Angle see page 98





Receptacle Housings - 1 Row Design - 3 Pos with CPA

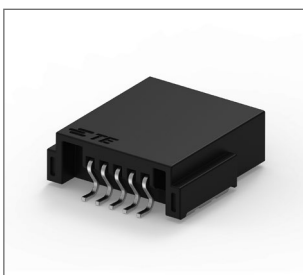


Technical Features

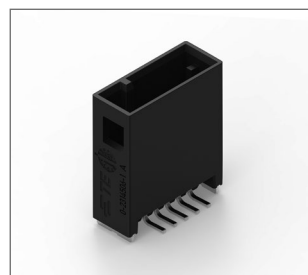
- No. of Positions:**
3 Positions
- Housing Material**
PBT-GF10
- Wire Size Range:**
0.13-0.35 mm²
- Interface:**
208-18060
- Product Specification:**
108-94288
- Application Specification:**
114-94491

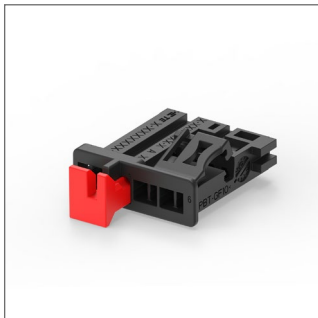
Keying Options	Housing Color	Receptacle Housing	CPA	Part Numbers		Contacts
				Mating PCB Headers		
				Right Angle	Vertical	
Coding A	Black	2333103-1		2315407-1	2314505-1	
Coding B	Natural	2333103-2	Yes	2315407-2	2314505-2	x-1703930-x
Coding C	Blue	2333103-3		2315407-3*	2314505-3	

Mating PCB Header Right Angle see page 93

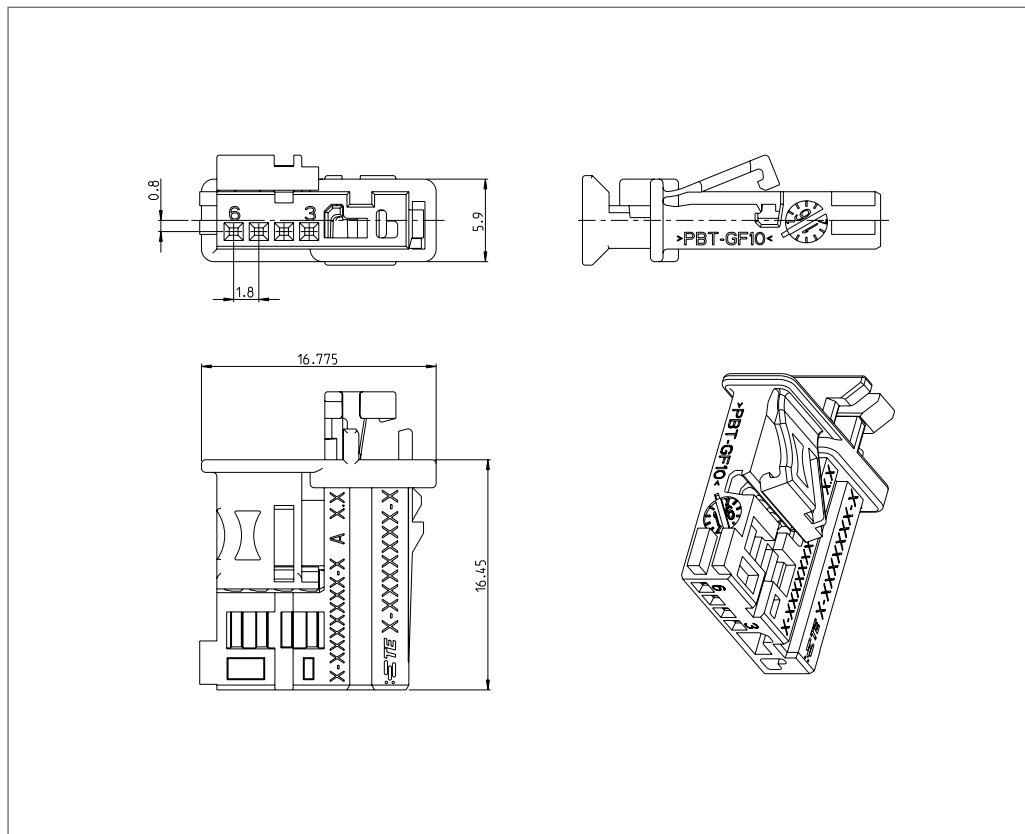


Mating PCB Header Vertical Angle see page 99





Receptacle Housings - 1 Row Design - 4 Pos with CPA

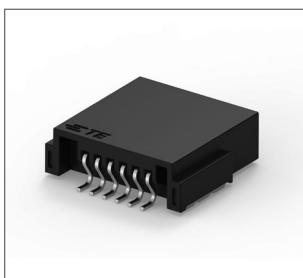


Technical Features

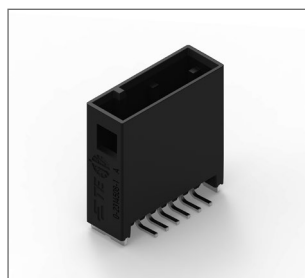
- No. of Positions:**
4 Positions
- Housing Material:**
PBT-GF10
- Wire Size Range:**
0.13-0.35 mm²
- Interface:**
208-18060
- Product Specification:**
108-94288
- Application Specification:**
114-94491

Keying Options	Housing Color	Receptacle Housing	CPA	Part Numbers		
				Right Angle	Vertical	Contacts
Coding A	Black	2333104-1	Yes	2311714-1	2314507-1	x-1703930-x
Coding B	Natural	2333104-2		2311714-2	2314507-2	

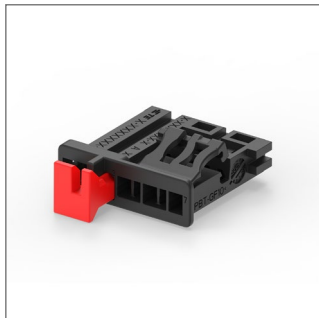
Mating PCB Header
Right Angle see page 94



Mating PCB Header
Vertical Angle see page 100

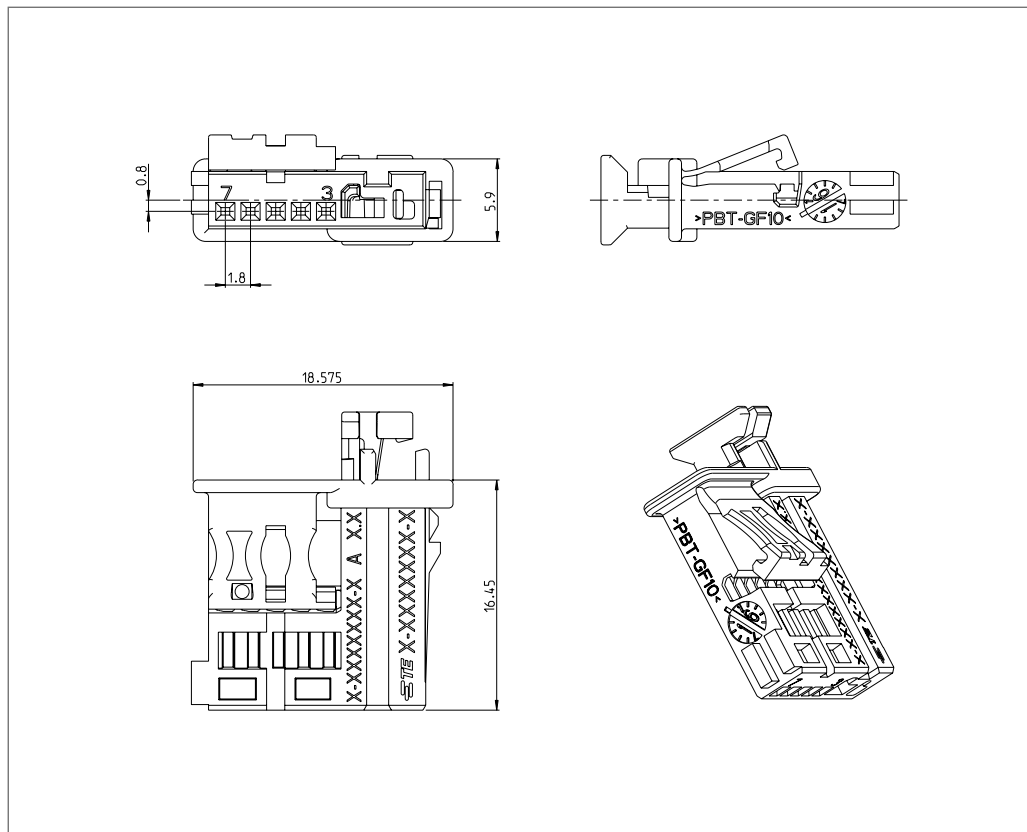


Receptacle Housings - 1 Row Design - 5 Pos with CPA



Technical Features

- No. of Positions:**
5 Positions
- Housing Material**
PBT-GF10
- Wire Size Range:**
0.13-0.35 mm²
- Interface:**
208-18060
- Product Specification:**
108-94288
- Application Specification:**
114-94491

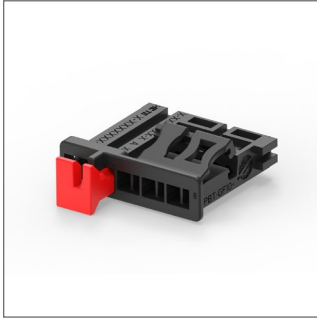


Keying Options	Housing Color	Part Numbers				
		Receptacle Housing	CPA	Mating PCB Headers		Contacts
				Right Angle	Vertical	
Coding A	Black	2333105-1	Yes	2315409-1	2314509-1*	x-1703930-x
Coding B	Natural	2333105-2		2315409-2	2314509-2*	

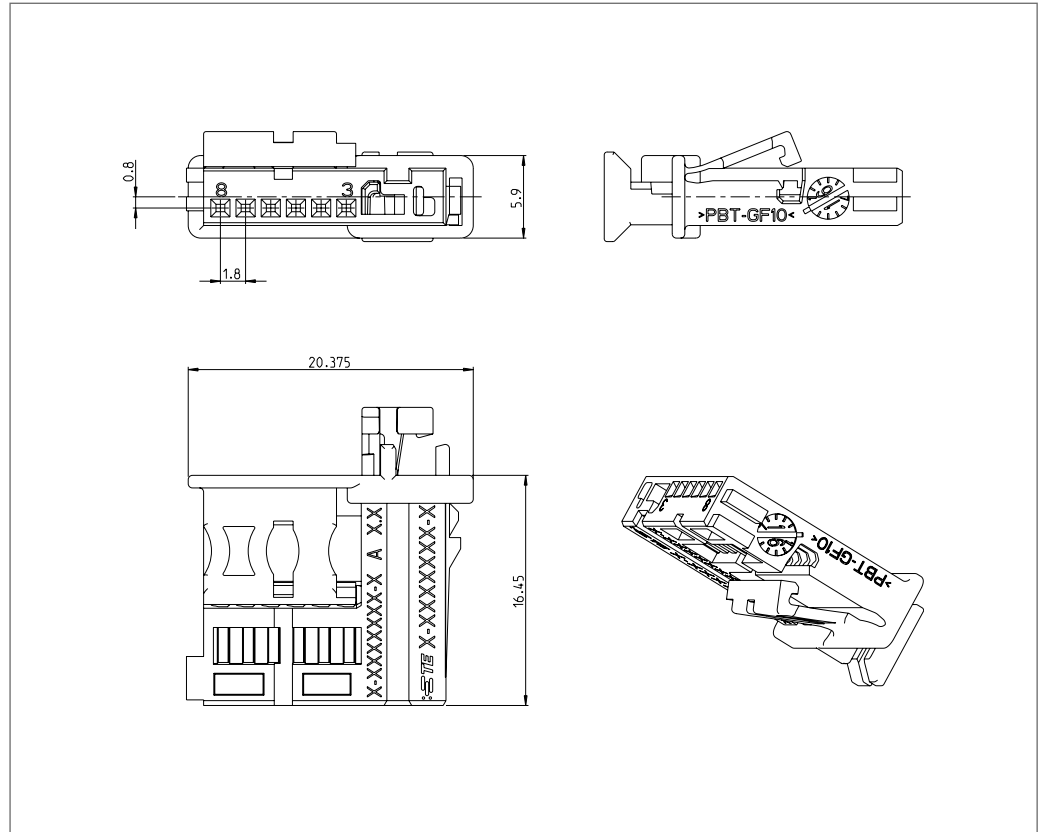
* on request

Mating PCB Header
Right Angle see page 95





Receptacle Housings - 1 Row Design - 6 Pos with CPA



Technical Features

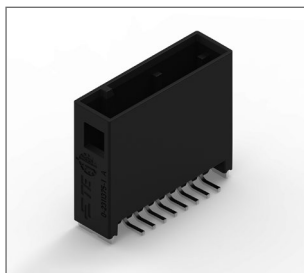
- No. of Positions:** 6 Positions
- Housing Material:** PBT-GF10
- Wire Size Range:** 0.13-0.35 mm²
- Interface:** 208-18060
- Product Specification:** 108-94288
- Application Specification:** 114-94491

Keying Options	Housing Color	Part Numbers				
		Receptacle Housing	CPA	Mating PCB Headers		Contacts
				Right Angle	Vertical	
Coding A	Black	2309873-1		2315411-1	2311396-1	
Coding B	Natural	2309873-2	Yes	2315411-2	2311396-2	x-1703930-x
Coding C	Blue	2309873-3		2315411-3	2311396-3	

Mating PCB Header Right Angle see page 96



Mating PCB Header Vertical Angle see page 101

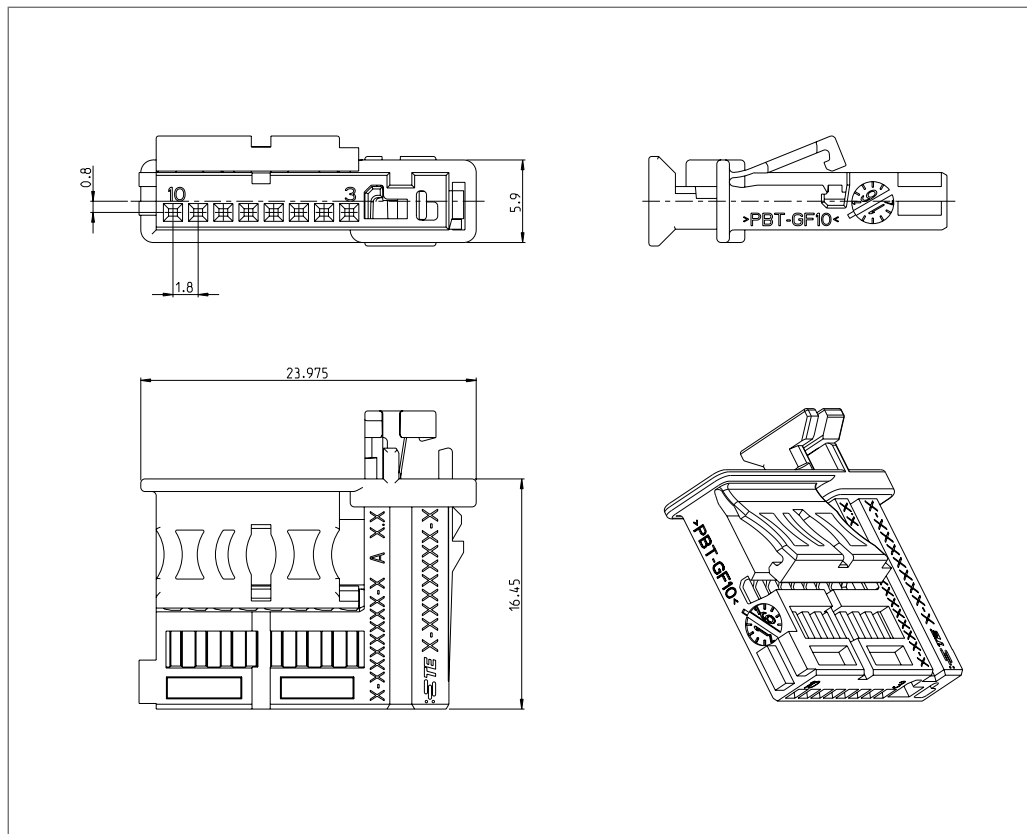


Receptacle Housings - 1 Row Design - 8 Pos with CPA



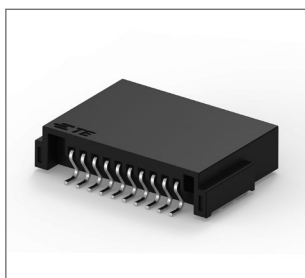
Technical Features

- No. of Positions:**
8 Positions
- Housing Material**
PBT-GF10
- Wire Size Range:**
0.13-0.35 mm²
- Interface:**
208-18060
- Product Specification:**
108-94288
- Application Specification:**
114-94491

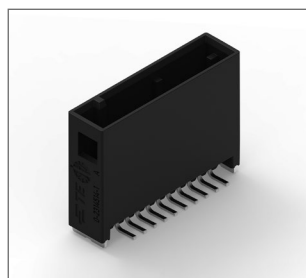


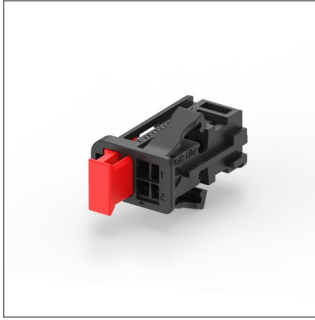
Keying Options	Housing Color	Part Numbers				
		Receptacle Housing	CPA	Mating PCB Headers		Contacts
				Right Angle	Vertical	
Coding A	Black	2333108-1	Yes	2315415-1	2314513-1	x-1703930-x
Coding B	Natural	2333108-2		2315415-2	2314513-2	

Mating PCB Header Right Angle see page 97



Mating PCB Header Vertical Angle see page 102





Technical Features

No. of Positions:
4 Positions

Housing Material:
PBT-GF10

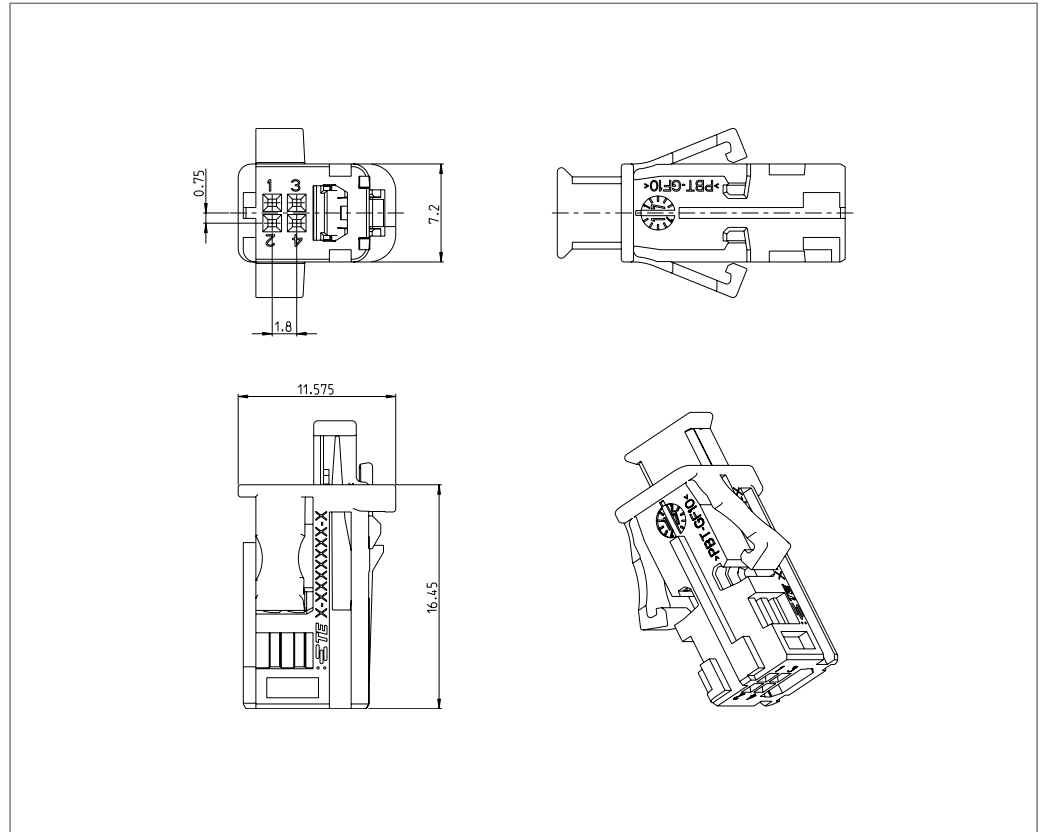
Wire Size Range:
0.13-0.35 mm²

Interface:
114-94000-20

Product Specification:
108-94288

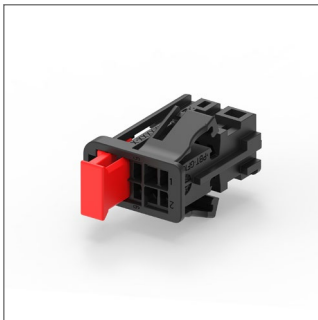
Application Specification:
114-94491

Receptacle Housings - 2 Row Design - 4 Pos with CPA

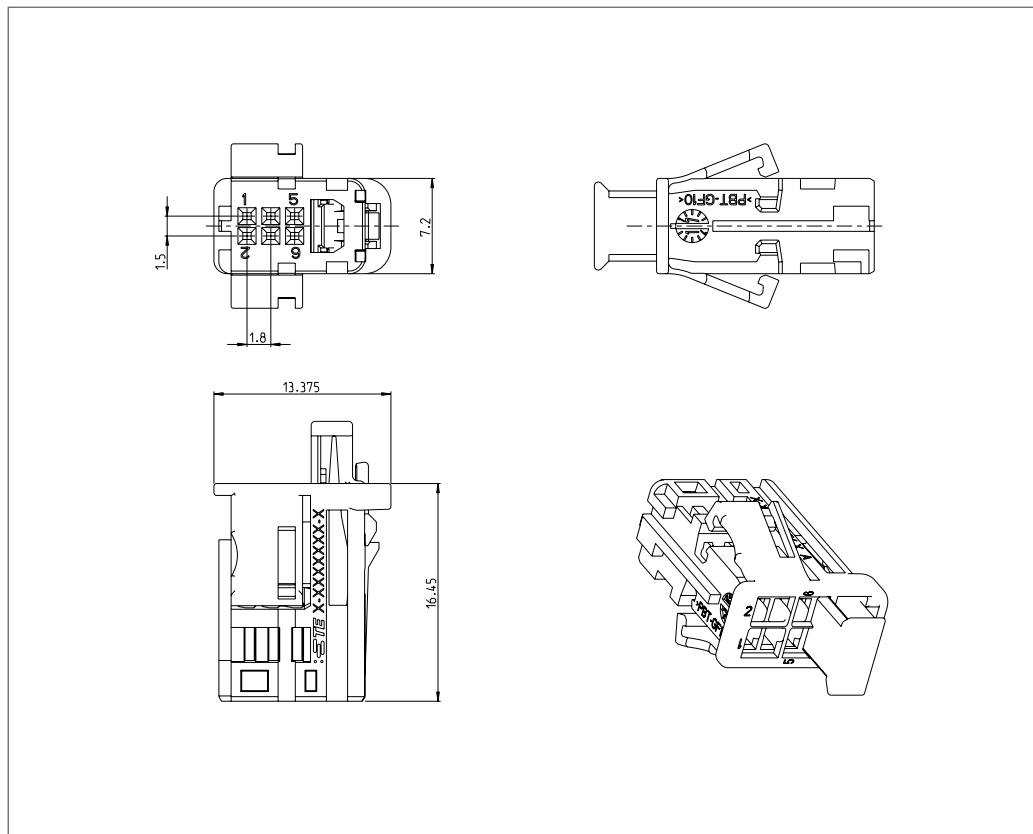


Keying Options	Housing Color	Receptacle Housing	CPA	Part Numbers		Contacts
				Mating PCB Headers		
				Right Angle	Vertical	
Coding A	Black	2345104-1	Yes	2317501-1*	2317521-1*	x-1703930-x
Coding B	Natural	2345104-2		2317501-2*	2317521-2*	
Coding C	Blue	2345104-3*		2317501-3*	2317521-3*	
Coding D	Violet	2345104-4*		2317501-4*	2317521-4*	

* on request



Receptacle Housings - 2 Row Design - 6 Pos with CPA



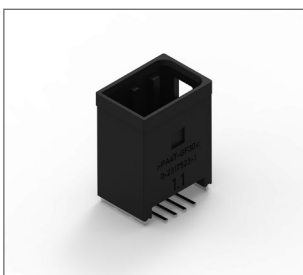
Technical Features

- No. of Positions:**
6 Positions
- Housing Material**
PBT-GF10
- Wire Size Range:**
0.13-0.35 mm²
- Interface:**
114-94000-20
- Product Specification:**
108-94288
- Application Specification:**
114-94491

Keying Options	Housing Color	Receptacle Housing	CPA	Part Numbers		Contacts
				Mating PCB Headers		
				Right Angle	Vertical	
Coding A	Black	2312106-1	Yes	2317503-1*	2317523-1	x-1703930-x
Coding B	Natural	2312106-2		2317503-2*	2317523-2	
Coding C	Blue	2312106-3*		2317503-3*	2317523-3*	
Coding D	Violet	2312106-4*		2317503-4*	2317523-4*	

* on request

Mating PCB Header
Vertical Angle see page 107

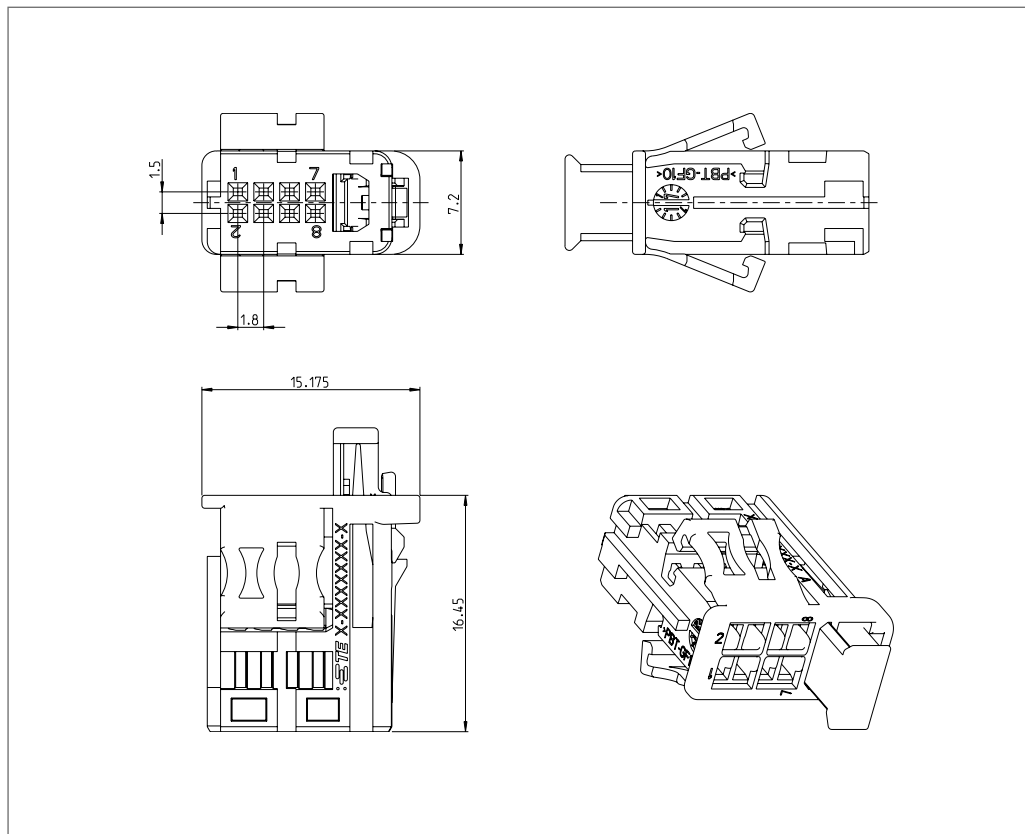




Technical Features

- No. of Positions:**
8 Positions
- Housing Material:**
PBT-GF10
- Wire Size Range:**
0.13-0.35 mm²
- Interface:**
114-94000-20
- Product Specification:**
108-94288
- Application Specification:**
114-94491

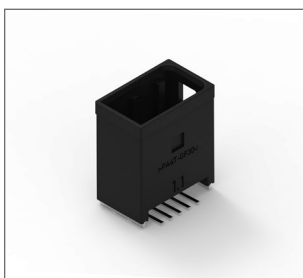
Receptacle Housings - 2 Row Design - 8 Pos with CPA

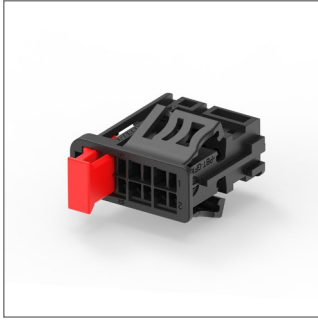


Keying Options	Housing Color	Receptacle Housing	CPA	Part Numbers		
				Mating PCB Headers		Contacts
				Right Angle	Vertical	
Coding A	Black	2312108-1	Yes	2317505-1*	2317525-1	x-1703930-x
Coding B	Natural	2312108-2		2317505-2*	2317525-2	
Coding C	Blue	2312108-3*		2317505-3*	2317525-3*	
Coding D	Violet	2312108-4*		2317505-4*	2317525-4*	

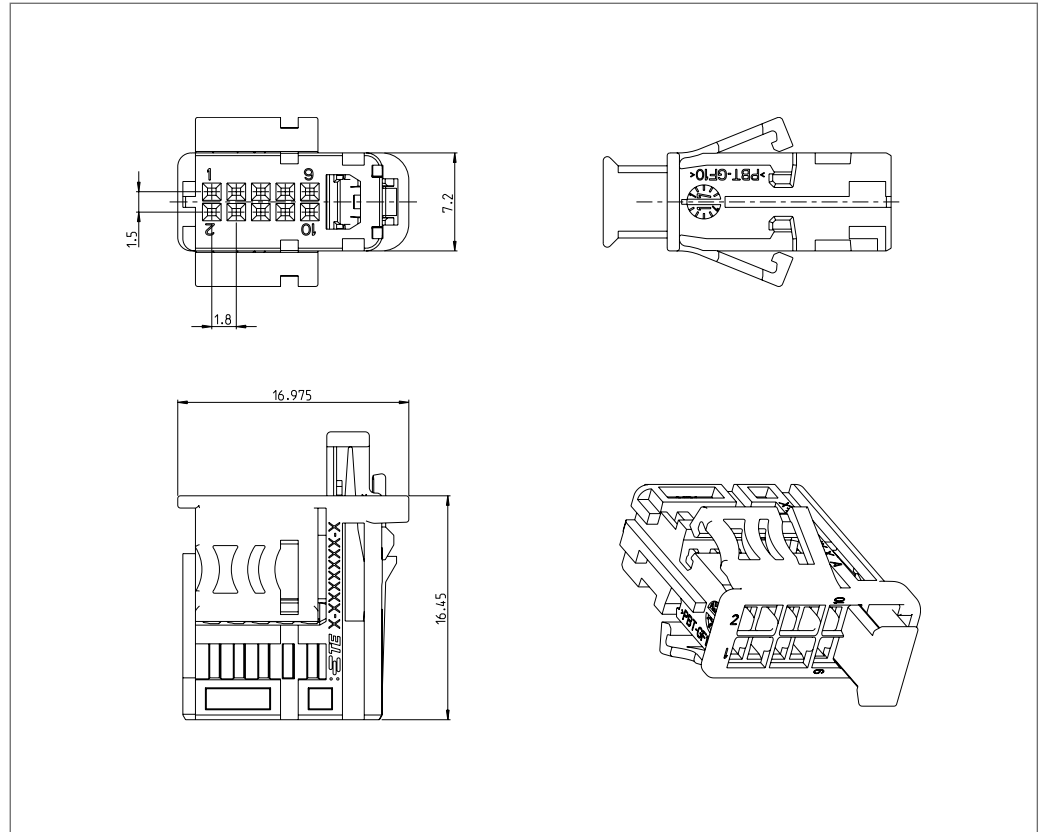
* on request

Mating PCB Header
Vertical Angle see page 108





Receptacle Housings - 2 Row Design - 10 Pos with CPA



Technical Features

- No. of Positions:**
10 Positions
- Housing Material**
PBT-GF10
- Wire Size Range:**
0.13-0.35 mm²
- Interface:**
114-94000-20
- Product Specification:**
108-94288
- Application Specification:**
114-94491

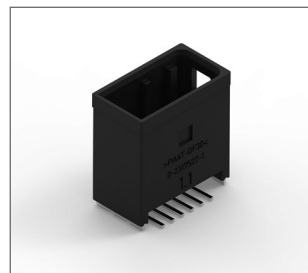
Keying Options	Housing Color	Part Numbers				
		Receptacle Housing	CPA	Mating PCB Headers		Contacts
				Right Angle	Vertical	
Coding A	Black	2312110-1	Yes	2317507-1	2317527-1	x-1703930-x
Coding B	Natural	2312110-2		2317507-2	2317527-2	
Coding C	Blue	2312110-3*		2317507-3*	2317527-3*	
Coding D	Violet	2312110-4*		2317507-4*	2317527-4*	

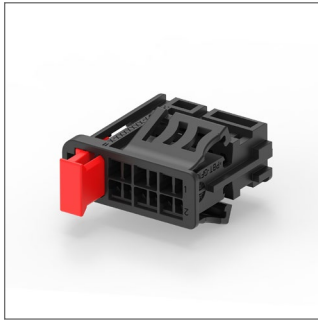
* on request

Mating PCB Header
Right Angle see page 103

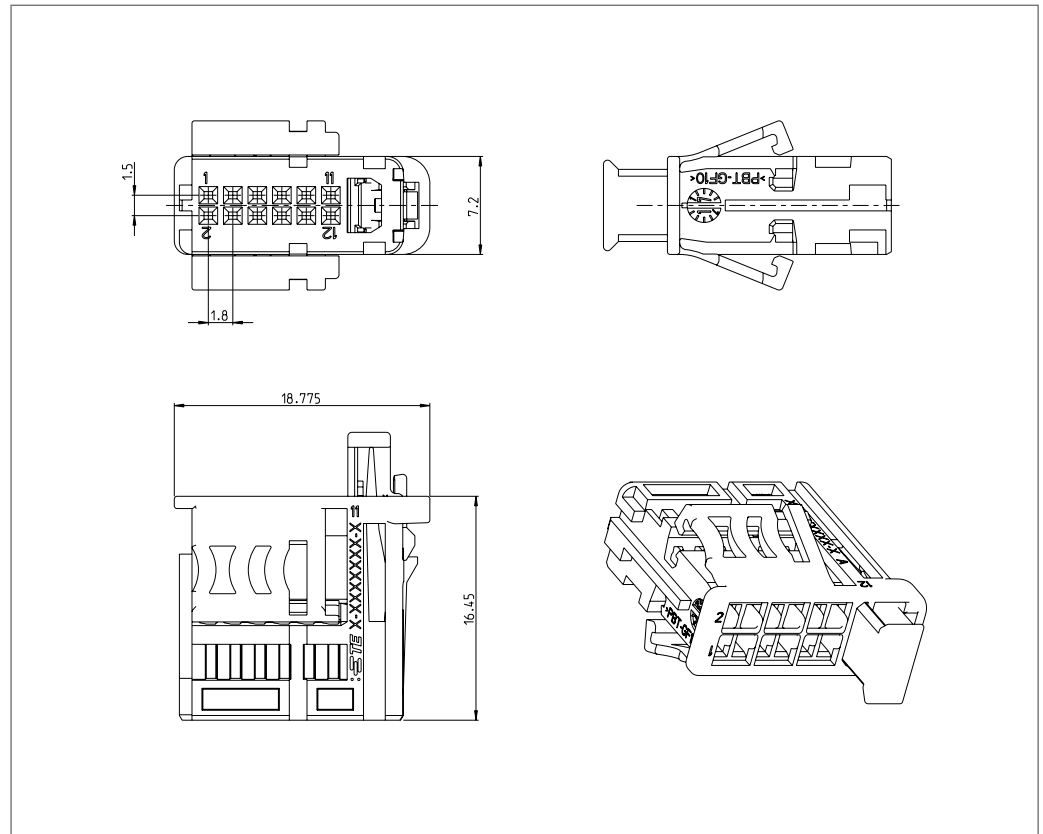


Mating PCB Header
Vertical Angle see page 109





Receptacle Housings - 2 Row Design - 12 Pos with CPA



Technical Features

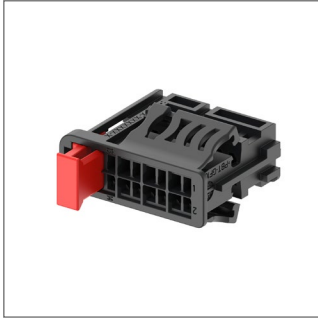
- No. of Positions:**
12 Positions
- Housing Material:**
PBT-GF10
- Wire Size Range:**
0.13-0.35 mm²
- Interface:**
114-94000-20
- Product Specification:**
108-94288
- Application Specification:**
114-94491

Keying Options	Housing Color	Receptacle Housing	CPA	Part Numbers		
				Mating PCB Headers		Contacts
				Right Angle	Vertical	
Coding A	Black	2312112-1	Yes	2317509-1	2317529-1*	x-1703930-x
Coding B	Natural	2312112-2		2317509-2	2317529-2*	
Coding C	Blue	2312112-3*		2317509-3*	2317529-3*	
Coding D	Violet	2312112-4*		2317509-4*	2317529-4*	

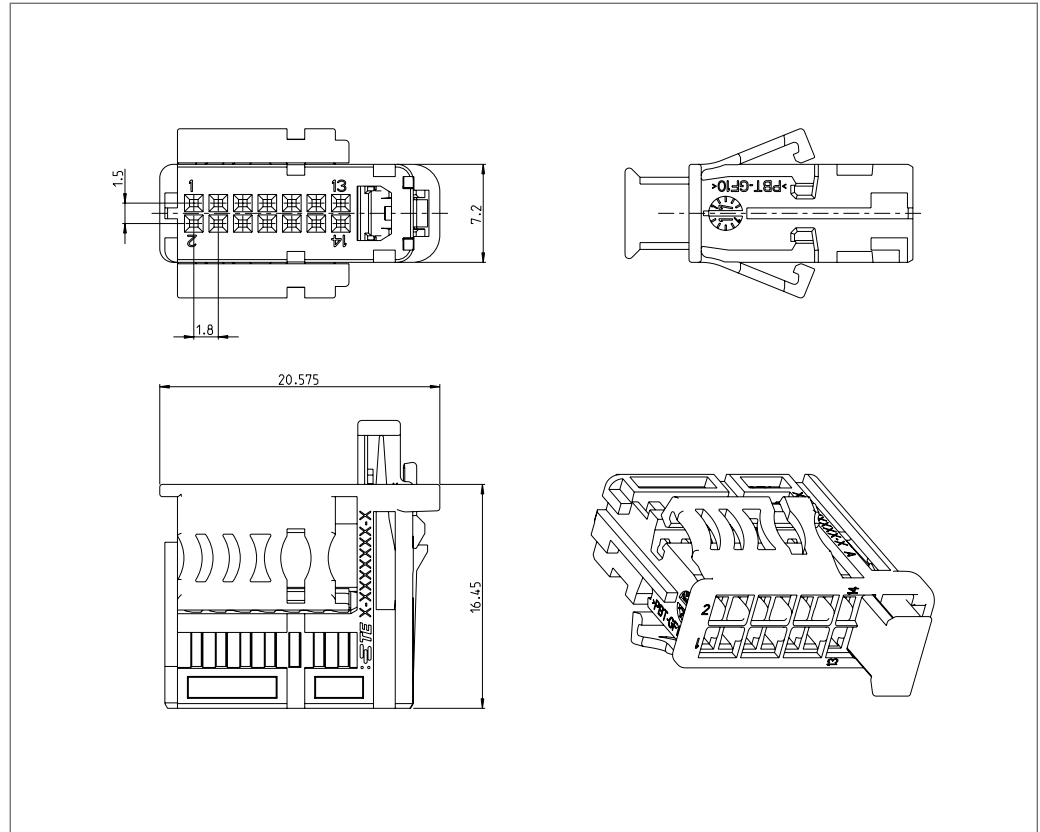
* on request

Mating PCB Header
Right Angle see page 104





Receptacle Housings - 2 Row Design - 14 Pos with CPA



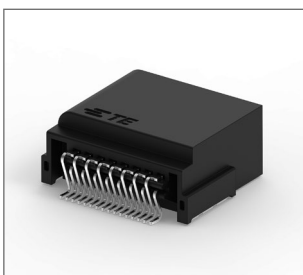
Technical Features

- No. of Positions:** 14 Positions
- Housing Material:** PBT-GF10
- Wire Size Range:** 0.13-0.35 mm²
- Interface:** 114-94000-20
- Product Specification:** 108-94288
- Application Specification:** 114-94491

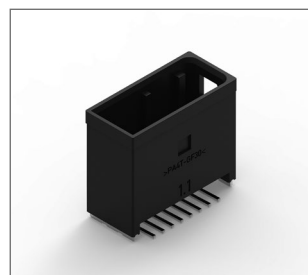
Keying Options	Housing Color	Part Numbers				
		Receptacle Housing	CPA	Mating PCB Headers		Contacts
				Right Angle	Vertical	
Coding A	Black	2312114-1	Yes	2317511-1	2317531-1	x-1703930-x
Coding B	Natural	2312114-2		2317511-2	2317531-2	
Coding C	Blue	2312114-3*		2317511-3*	2317531-3*	
Coding D	Violet	2312114-4*		2317511-4*	2317531-4*	

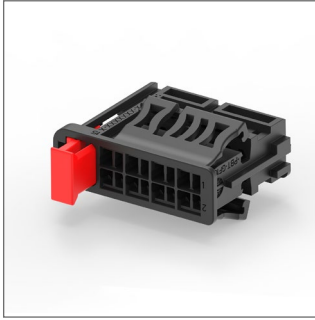
* on request

Mating PCB Header Right Angle see page 105



Mating PCB Header Vertical Angle see page 110





Technical Features

No. of Positions:

16 Positions

Housing Material

PBT-GF10

Wire Size Range:
0.13-0.35 mm²
Interface:

114-94000-20

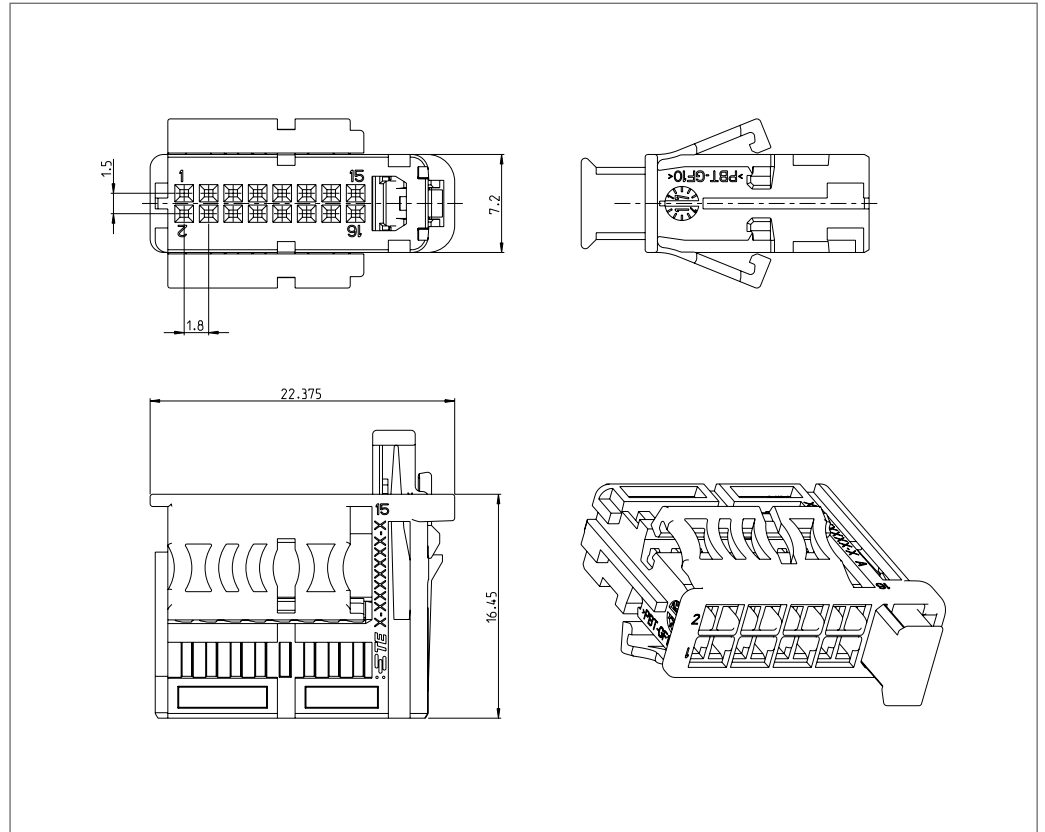
Product Specification:

108-94288

Application Specification:

114-94491

Receptacle Housings - 2 Row Design - 16 Pos with CPA

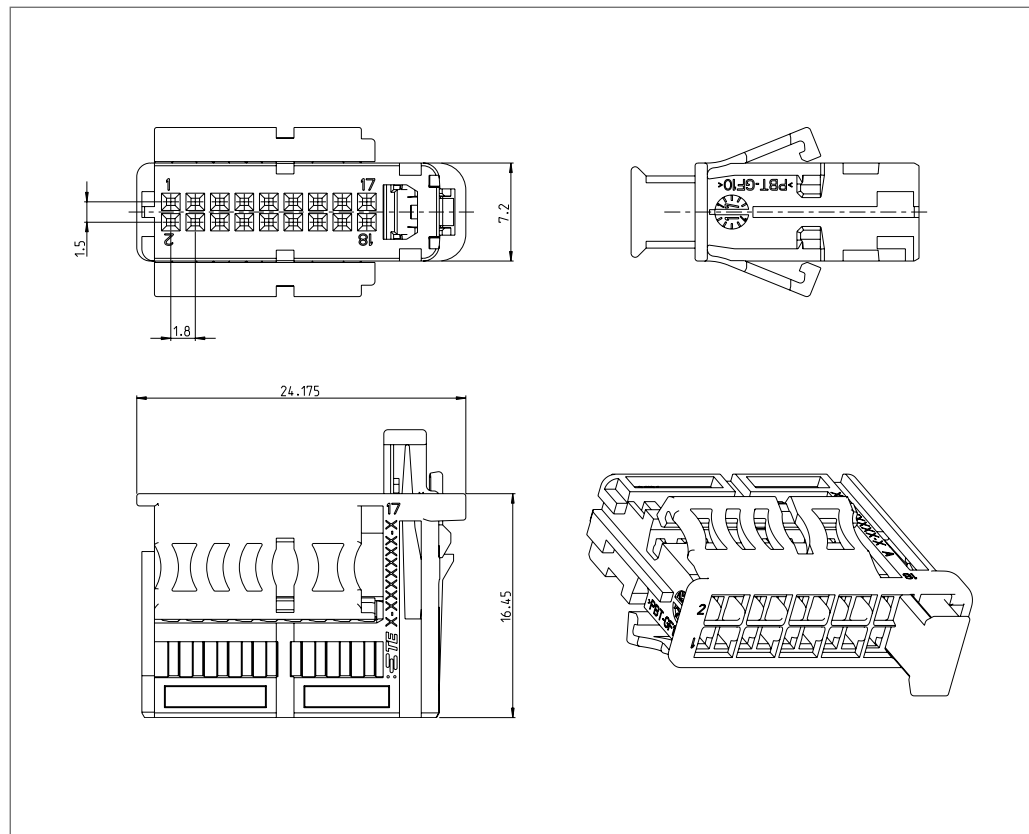


Keying Options	Housing Color	Receptacle Housing	CPA	Part Numbers		Contacts
				Mating PCB Headers		
				Right Angle	Vertical	
Coding A	Black	2312116-1	Yes	2317513-1*	2317533-1*	x-1703930-x
Coding B	Natural	2312116-2		2317513-2*	2317533-2*	
Coding C	Blue	2312116-3*		2317513-3*	2317533-3*	
Coding D	Violet	2312116-4*		2317513-4*	2317533-4*	

* on request



Receptacle Housings - 2 Row Design - 18 Pos with CPA



Technical Features

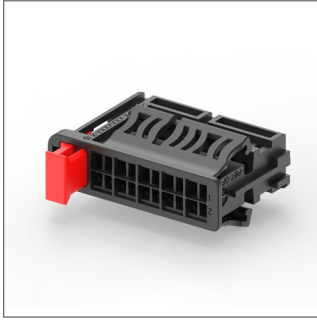
- No. of Positions:**
18 Positions
- Housing Material**
PBT-GF10
- Wire Size Range:**
0.13-0.35 mm²
- Interface:**
114-94000-20
- Product Specification:**
108-94288
- Application Specification:**
114-94491

Keying Options	Housing Color	Part Numbers				
		Receptacle Housing	CPA	Mating PCB Headers		Contacts
				Right Angle	Vertical	
Coding A	Black	2312118-1	Yes	2317515-1	2317535-1*	x-1703930-x
Coding B	Natural	2312118-2		2317515-2	2317535-2*	
Coding C	Blue	2312118-3*		2317515-3*	2317535-3*	
Coding D	Violet	2312118-4*		2317515-4*	2317535-4*	

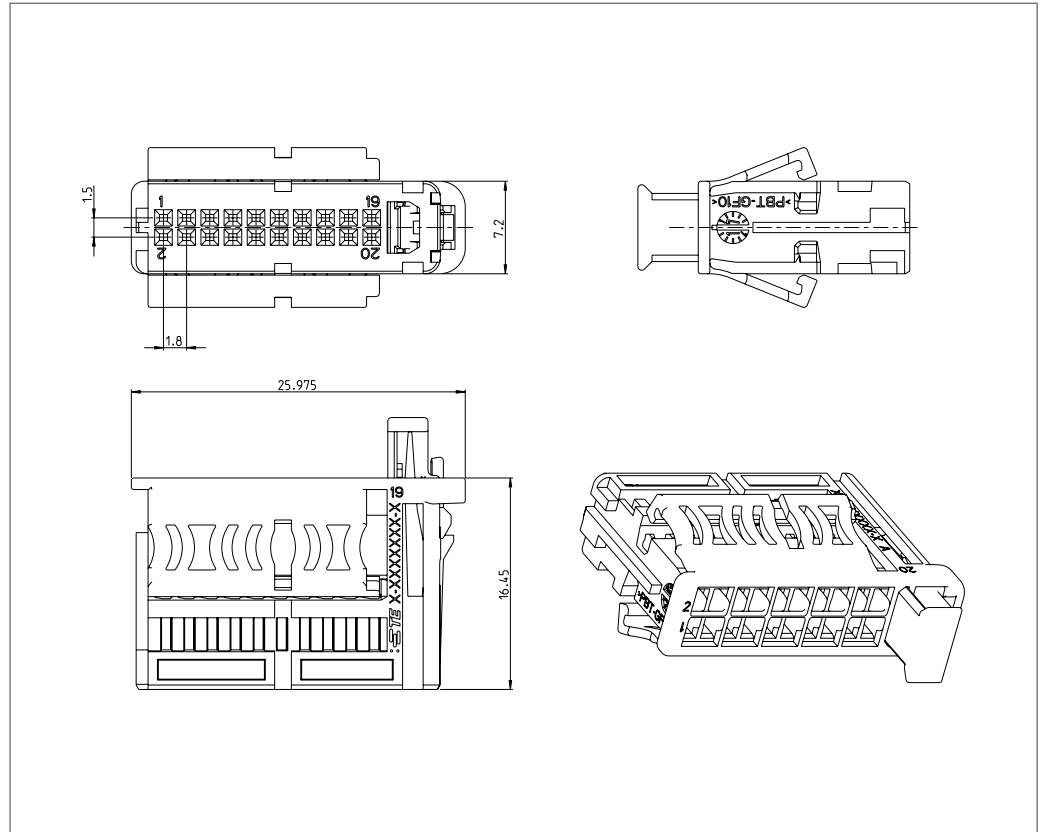
* on request

Mating PCB Header
Right Angle see page 106





Receptacle Housings - 2 Row Design - 20 Pos with CPA



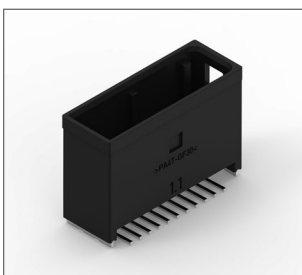
Technical Features

- No. of Positions:**
20 Positions
- Housing Material:**
PBT-GF10
- Wire Size Range:**
0.13-0.35 mm²
- Interface:**
114-94000-20
- Product Specification:**
108-94288
- Application Specification:**
114-94491

Keying Options	Housing Color	Receptacle Housing	CPA	Part Numbers		Contacts
				Mating PCB Headers		
				Right Angle	Vertical	
Coding A	Black	2312120-1	Yes	2317517-1*	2317537-1	x-1703930-x
Coding B	Natural	2312120-2		2317517-2*	2317537-2	
Coding C	Blue	2312120-3*		2317517-3*	2317535-3*	
Coding D	Violet	2312120-4*		2317517-4*	2317535-4*	

* on request

Mating PCB Header
Vertical Angle see page 111





Miniaturization Sealed Housings

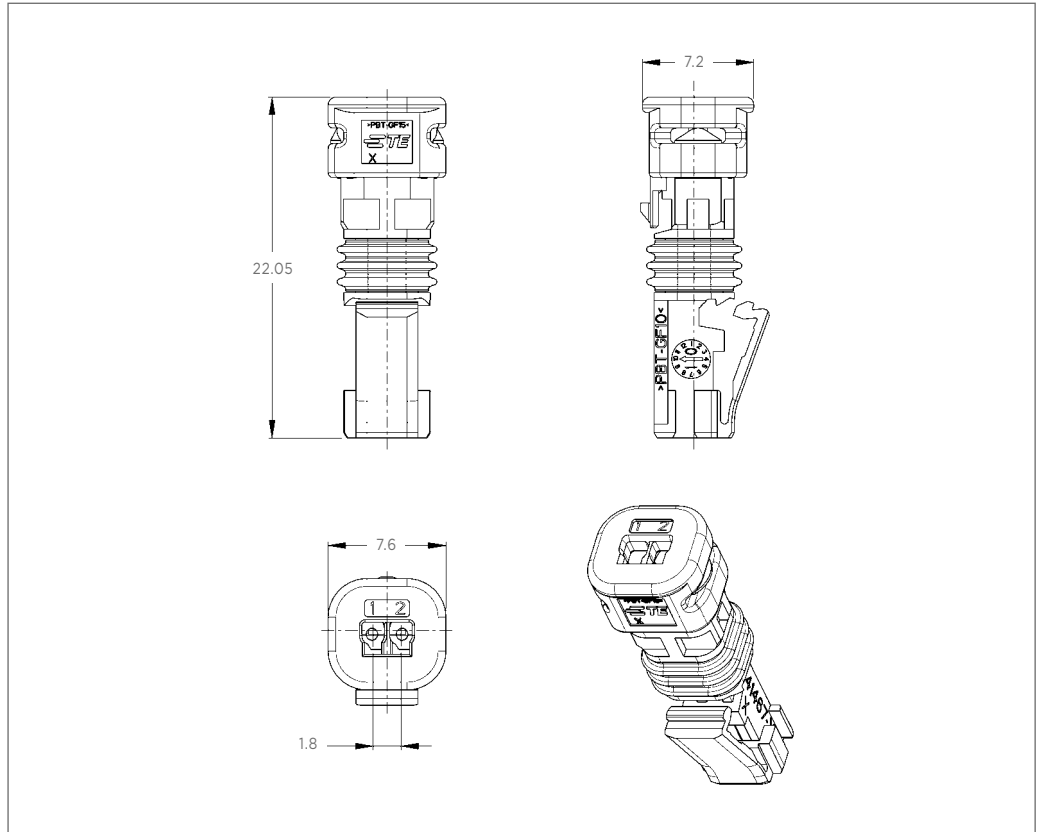
Miniaturization	1.8 mm pin-to-pin pitch
Flexibility	0.13 to 0.35 mm ² compatible wire sizes
Automotive-robust Performance	<p>Current capacity of 3A</p> <p>Max. temperature: 170°C (Ag-plated)</p> <p>SG4 vibration grade (sealed applications)</p> <p>Automotive-standards conform</p> <p>Standard automotive interface</p>
Wide Portfolio	<p>Available for NanoMQS (locking lance) and MCON 0.50 (clean body)</p> <p>Available in 1- and 2-row versions</p> <p>NanoMQS: 2 up to 8 positions</p> <p>MCON 0.50: 3 up to 12 positions</p>



Receptacle Housings - 2 Positions

Technical Features

- No. of Positions:**
2 Positions
- Housing Material:**
PBT Glas fibre reinforced
- Wire Size Range:**
0.22 - 0.35mm²
- Product Specification:**
108-94320
- Application Specification:**
114-94174
- Extraction Tool:**
1355968-1



Keying Options	Housing Color	Part Numbers							
		Receptacle Housing	Cover	Locking Device	Cover and Lever	Interface	Mating PCB Headers		Contacts
							Right Angle	Vertical	
Coding A	Black	2141467-1							
Coding B	Gray	2141467-2	N/A	N/A	N/A	114-94000-14 *)	←	←	x-1703930-x
Coding C	Blue	2141467-3							

*) Interface Drawing Number

Receptacle Housings - 4 Positions



Technical Features

No. of Positions:
4 Positions

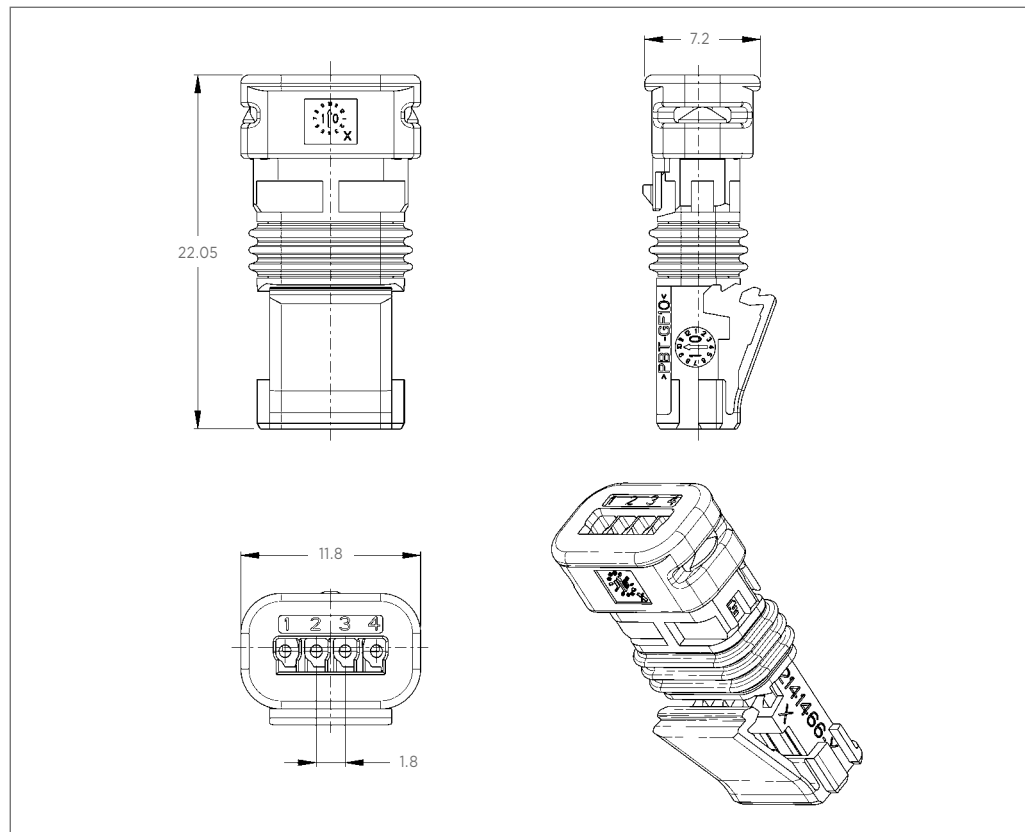
Housing Material:
PBT Glas fibre reinforced

Wire Size Range:
0.22 - 0.35mm²

Product Specification:
108-94320

Application Specification:
114-94174

Extraction Tool:
1355968-1



Keying Options	Housing Color	Part Numbers							
		Receptacle Housing	Cover	Locking Device	Cover and Lever	Interface	Mating PCB Headers		Contacts
							Right Angle	Vertical	
Coding A	Black	2141466-1	N/A	N/A	N/A	114-94000-14 *)	←	←	x-1703930-x
Coding B	Gray	2141466-2							

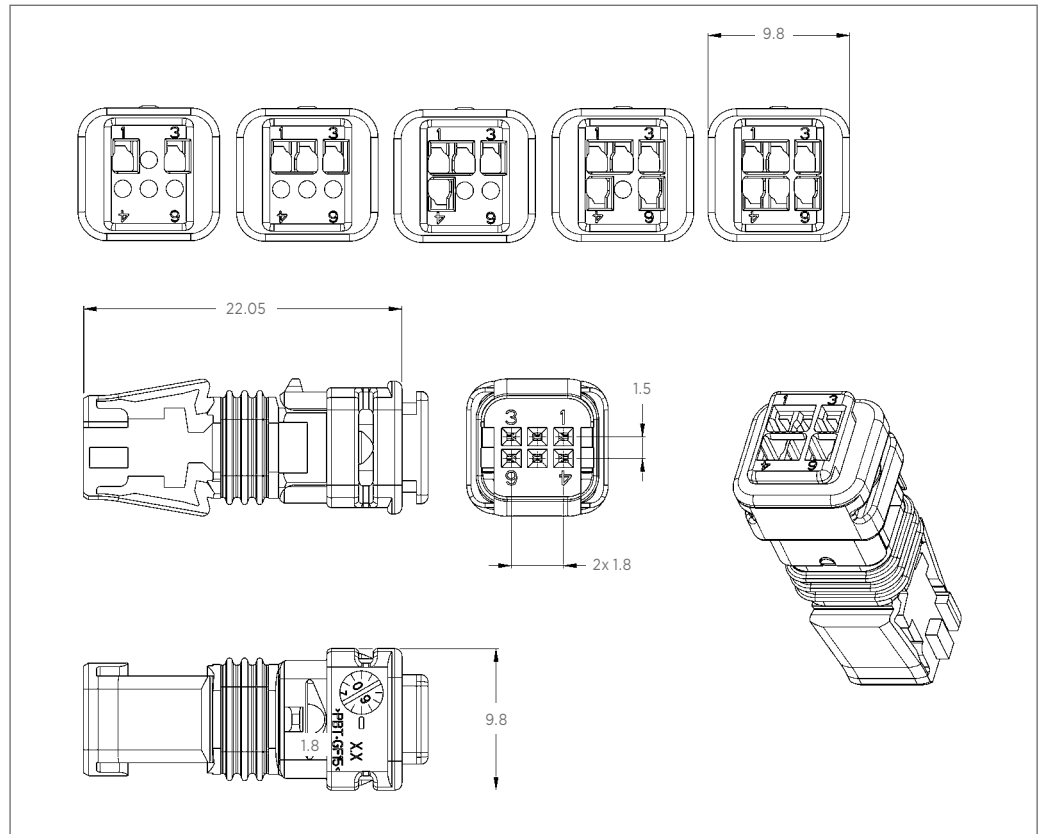
*) Interface Drawing Number



Technical Features

- No. of Positions:**
2-6 Positions
- Housing Material:**
PBT Glas fibre reinforced
- Wire Size Range:**
0.22 - 0.35 mm²
- Product Specification:**
108-94288-4
- Application Specification:**
114-94033
- Extraction Tool:**
1355968-1

Receptacle Housings - 2-6 Positions



No. of Positions	Keying Options	Housing Color	Part Numbers							
			Receptacle Housing	Cover	Locking Device	Cover and Lever	Interface	Mating PCB Headers		Contacts
								Right Angle	Vertical	
6	Coding A	Black	0-2112594-1							
	Coding B	Gray	0-2112594-2	N/A	N/A	N/A				
	Coding C	Blue	0-2112594-3							
5	Coding A	Black	5-2112594-1							
	Coding B	Gray	5-2112594-2	N/A	N/A	N/A				
	Coding C	Blue	5-2112594-3							
4	Coding A	Black	4-2112594-1							
	Coding B	Gray	4-2112594-2	N/A	N/A	N/A	114-94000-18 *)	←	←	x-1703930-x
	Coding C	Blue	4-2112594-3							
3	Coding A	Black	3-2112594-1							
	Coding B	Gray	3-2112594-2	N/A	N/A	N/A				
	Coding C	Blue	3-2112594-3							
2	Coding A	Black	2-2112594-1							
	Coding B	Gray	2-2112594-2	N/A	N/A	N/A				
	Coding C	Blue	2-2112594-3							

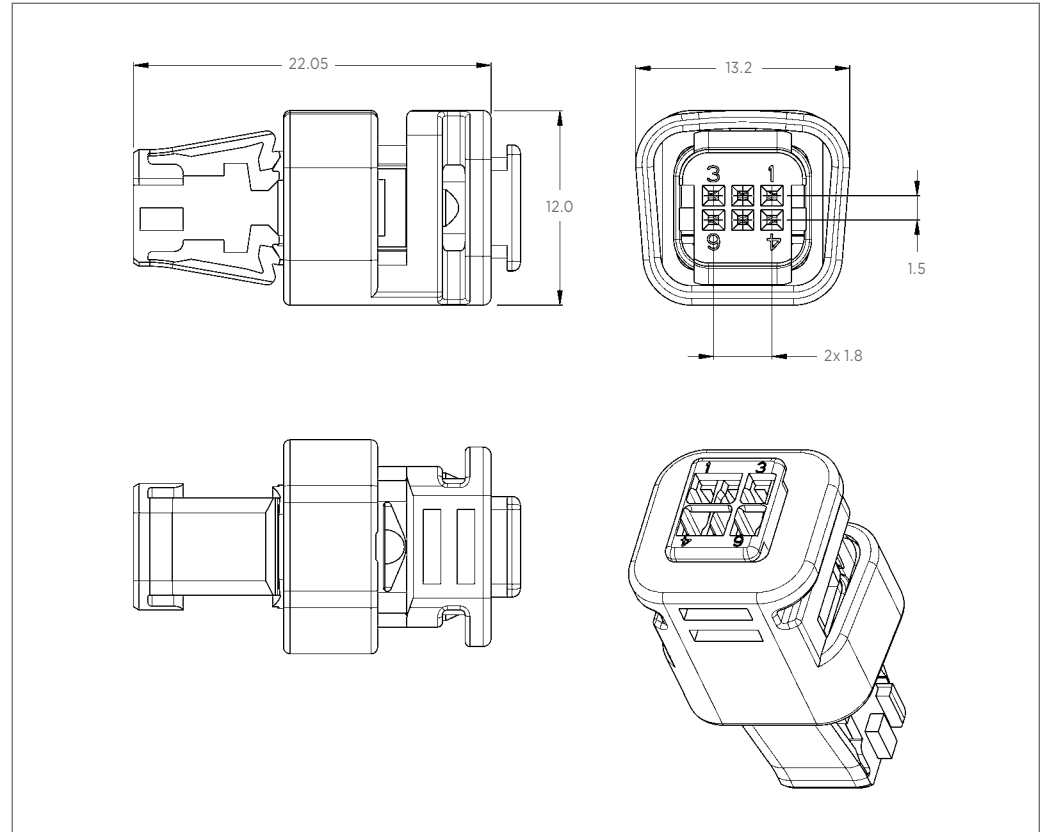
*) Interface Drawing Number

Receptacle Housings - 6 Positions



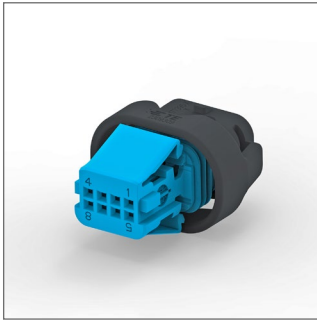
Technical Features

- No. of Positions:**
6 Positions
- Housing Material:**
PBT Glas fibre reinforced
- Wire Size Range:**
0.22 - 0.35 mm²
- Product Specification:**
108-94288-4
- Application Specification:**
114-94033
- Extraction Tool:**
1355968-1



Keying Options	Housing Color	Part Numbers							
		Receptacle Housing	Cover	Locking Device	Cover and Lever	Interface	Mating PCB Headers		Contacts
							Right Angle	Vertical	
Coding A	Black	0-2112593-1	N/A	N/A	N/A	114-94000-18 *)	←	←	x-1703930-x
Coding B	Gray	0-2112593-2							

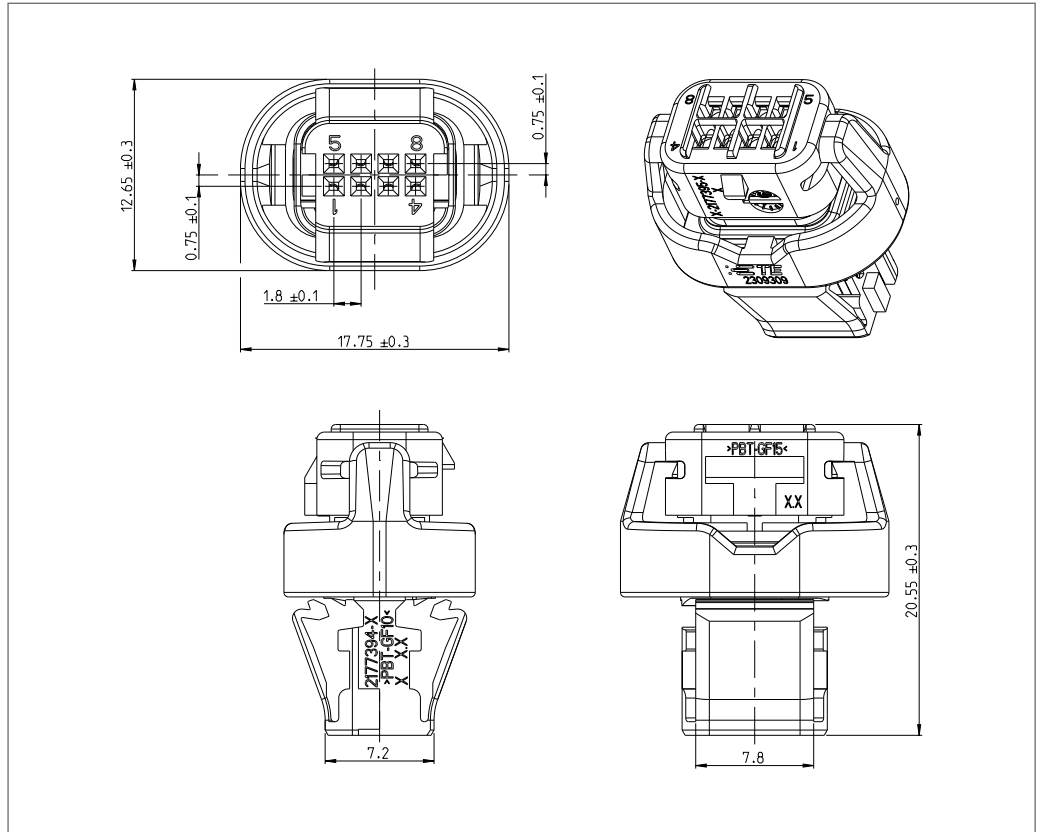
*) Interface Drawing Number



Receptacle Housings - 8 Positions

Technical Features

- No. of Positions:**
8 Positions
- Housing Material:**
PBT-GF10
- Wire Size Range:**
0.13 - 0.35 mm²
- Interface:**
208-18604-12
- Product Specification:**
108-94288-4
- Application Specification:**
114-94033



Keying Options	Housing Color	Part Numbers							
		Receptacle Housing	Cover	Locking Device	Cover and Lever	Interface	Mating PCB Headers		Contacts
							Right Angle	Vertical	
Coding C	Blue	2309309-3	N/A	N/A	N/A	208-18064-12	←	←	x-1703930-x

Receptacle Housings - 1 Row Design - 3 Positions



Technical Features

No. of Positions:
3 Positions

Housing Material:
PA66-GF30

Wire Size Range:
0.13 - 0.35 mm²

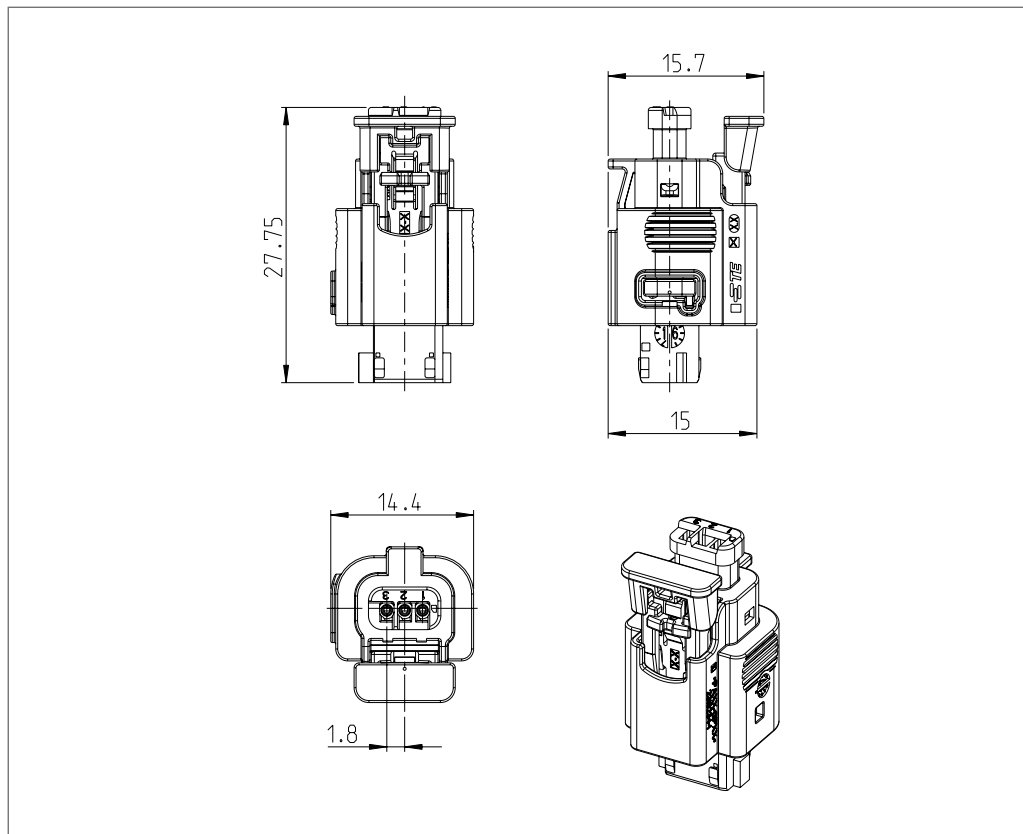
Interface:
208-18008

Temperature Range:
-40°C ... +150°C

Extraction Tool:
Retainer: 2-1579028-6
Terminal: 8-1579007-9 and
2-1579028-8

Product Specification:
108-94610

Application Specification:
114-94496



Keying Options	Housing Color	Part Numbers					Contacts
		Receptacle Housing	Fitting Blind Plugs	Interface	Mating PCB Headers		
					Right Angle	Vertical	
Coding A	Black	2316210-1					
Coding B	Natural	2316210-2					
Coding C	Blue	2316210-3*					
Coding D	Green	2316210-4*	2236139-1	208-18008	←	←	x-2177908-x x-2177909-x
Coding E	Brown	2316210-5*					
Coding F	Gray	2316210-6*					

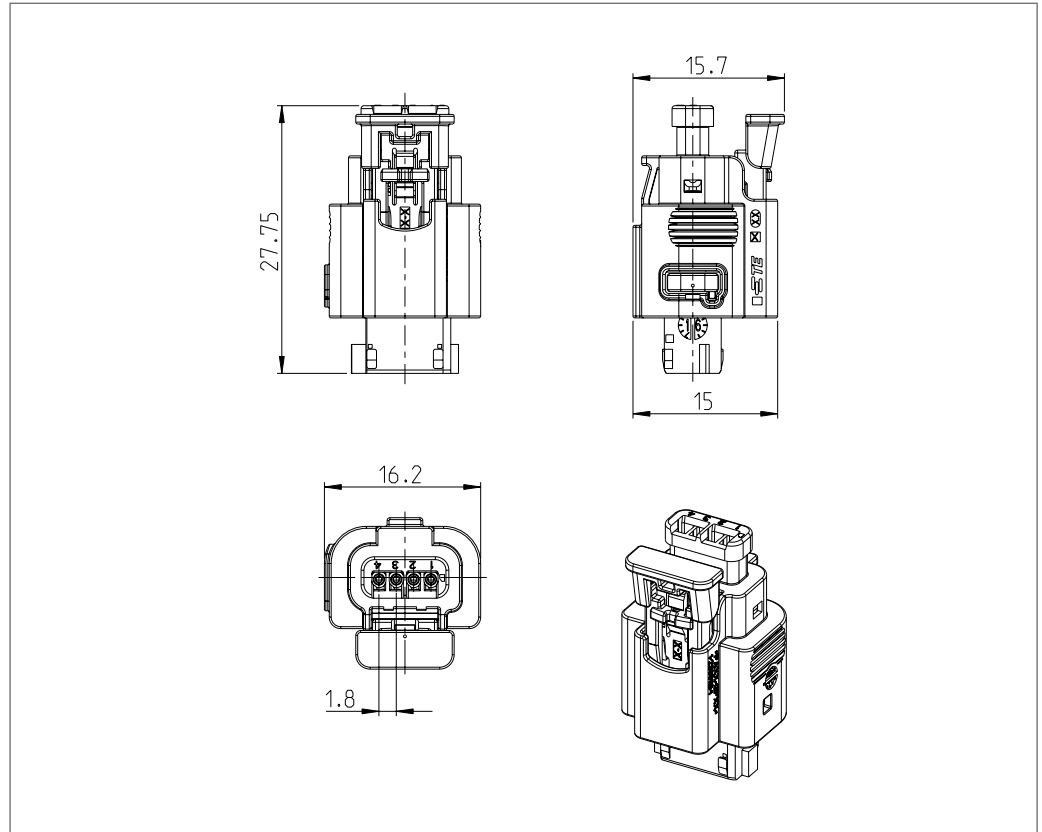
* on request



Receptacle Housings - 1 Row Design - 4 Positions

Technical Features

- No. of Positions:**
4 Positions
- Housing Material:**
PA66-GF30
- Wire Size Range:**
0.13 - 0.35 mm²
- Interface:**
208-18008
- Temperature Range:**
-40°C ... +150°C
- Extraction Tool:**
Retainer: 2-1579028-6
Terminal: 8-1579007-9 and
2-1579028-8
- Product Specification:**
108-94610
- Application Specification:**
114-94496



Keying Options	Housing Color	Part Numbers						
		Receptacle Housing	Fitting Blind Plugs	Interface	Mating PCB Headers		Contacts	
					Right Angle	Vertical		
Coding A	Black	2316284-1						
Coding B	Natural	2316284-2						
Coding C	Blue	2316284-3*						
Coding D	Green	2316284-4*	2236139-1	208-18008	←	←	x-2177908-x x-2177909-x	
Coding E	Brown	2316284-5*						
Coding F	Gray	2316284-6*						

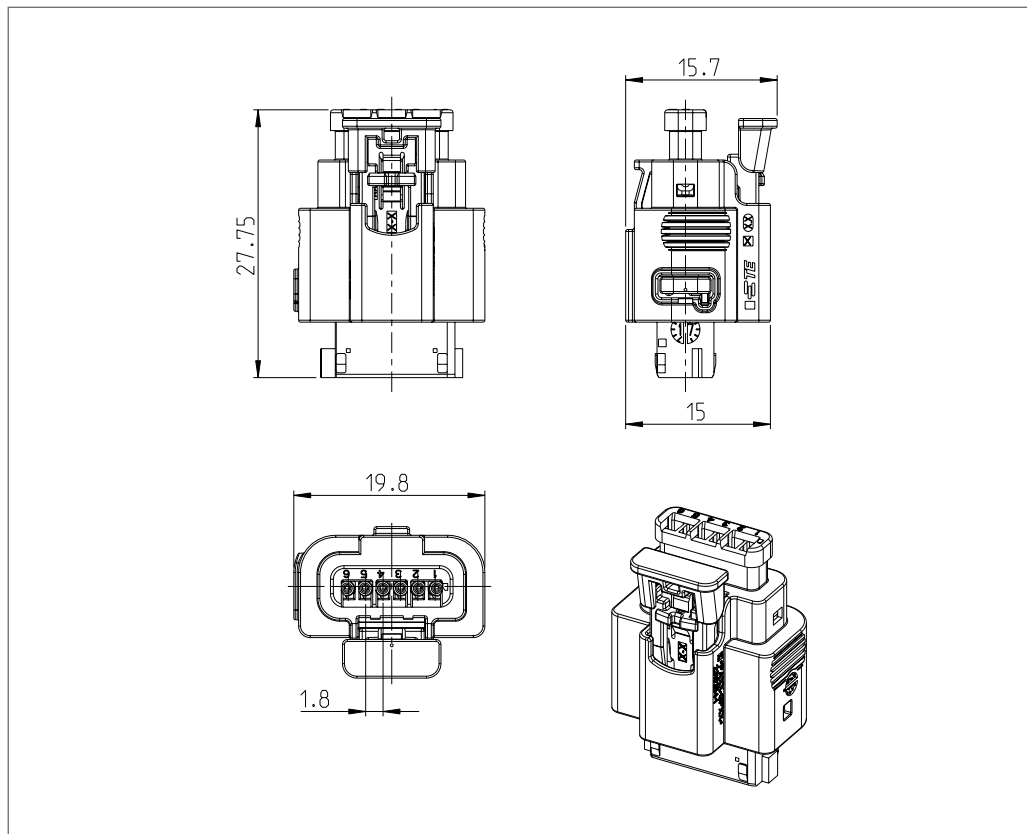
* on request

Receptacle Housings - 1 Row Design - 6 Positions



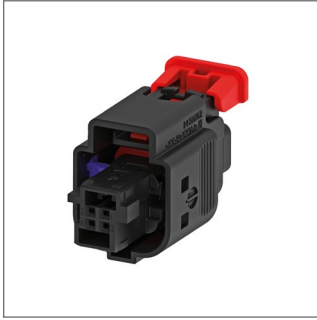
Technical Features

- No. of Positions:**
6 positions
- Housing Material:**
PA66-GF30
- Wire Size Range:**
0.13 - 0.35 mm²
- Interface:**
208-18008
- Temperature Range:**
-40°C ... +150°C
- Extraction Tool:**
Retainer: 2-1579028-6
Terminal: 8-1579007-9 and
2-1579028-8
- Product Specification:**
108-94610
- Application Specification:**
114-94496



Keying Options	Housing Color	Part Numbers					Contacts
		Receptacle Housing	Fitting Blind Plugs	Interface	Mating PCB Headers		
					Right Angle	Vertical	
Coding A	Black	2316218-1					
Coding B	Natural	2316218-2					
Coding C	Blue	2316218-3*					
Coding D	Green	2316218-4*	2236139-1	208-18008	←	←	x-2177908-x x-2177909-x
Coding E	Brown	2316218-5*					
Coding F	Gray	2316218-6*					

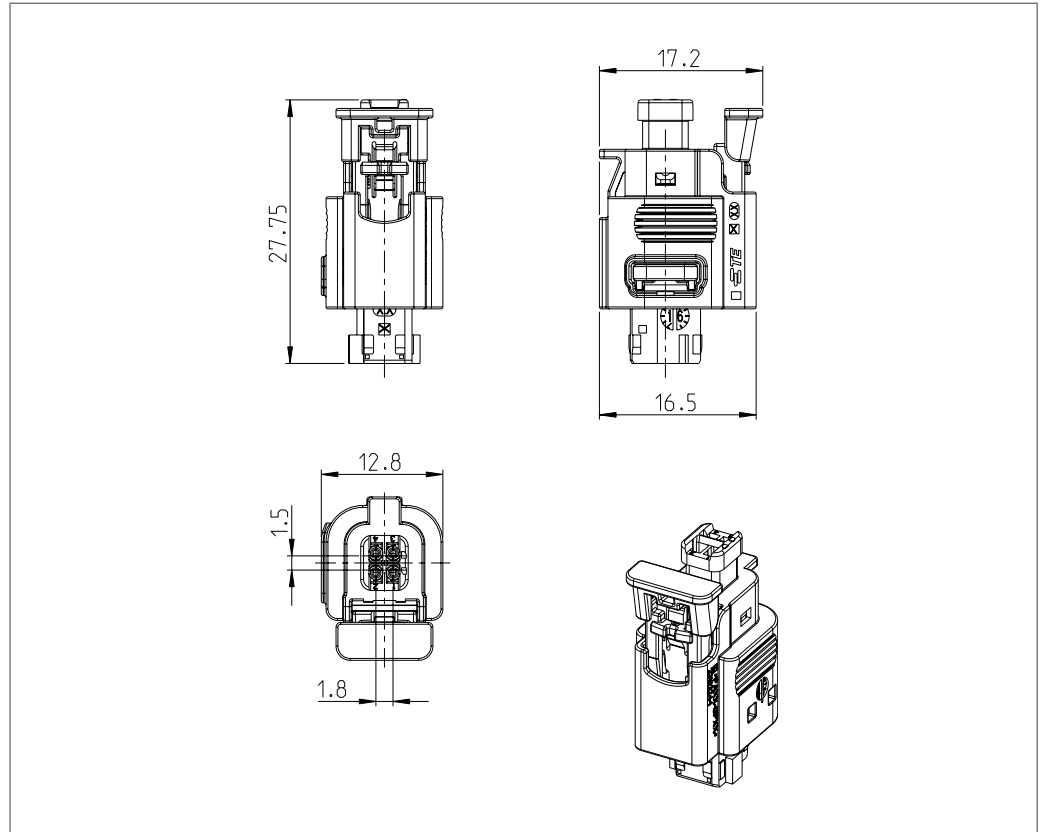
* on request



Receptacle Housings - 2 Row Design - 4 Positions

Technical Features

- No. of Positions:**
4 positions
- Housing Material:**
PA66-GF30
- Wire Size Range:**
0.13 - 0.35 mm²
- Interface:**
208-18009
- Temperature Range:**
-40°C ... +150°C
- Extraction Tool:**
Retainer: 5-1579028-1
Terminal: 8-1579007-9 and
2-1579028-8
- Product Specification:**
108-94610
- Application Specification:**
114-94496



Keying Options	Housing Color	Part Numbers						
		Receptacle Housing	Fitting Blind Plugs	Interface	Mating PCB Headers		Contacts	
					Right Angle	Vertical		
Coding A	Black	2318200-1						
Coding B	Natural	2318200-2						
Coding C	Blue	2318200-3*						
Coding D	Green	2318200-4*	2236139-1	208-18009	←	←	x-2177908-x x-2177909-x	
Coding E	Brown	2318200-5*						
Coding F	Gray	2318200-6*						

* on request

Receptacle Housings - 2 Row Design - 6 Positions



Technical Features

No. of Positions:

6 positions

Housing Material:

PA66-GF30

Wire Size Range:

0.13 - 0.35 mm²

Interface:

208-18009

Temperature Range:

-40°C ... +150°C

Extraction Tool:

Retainer: 5-1579028-1

Terminal: 8-1579007-9 and

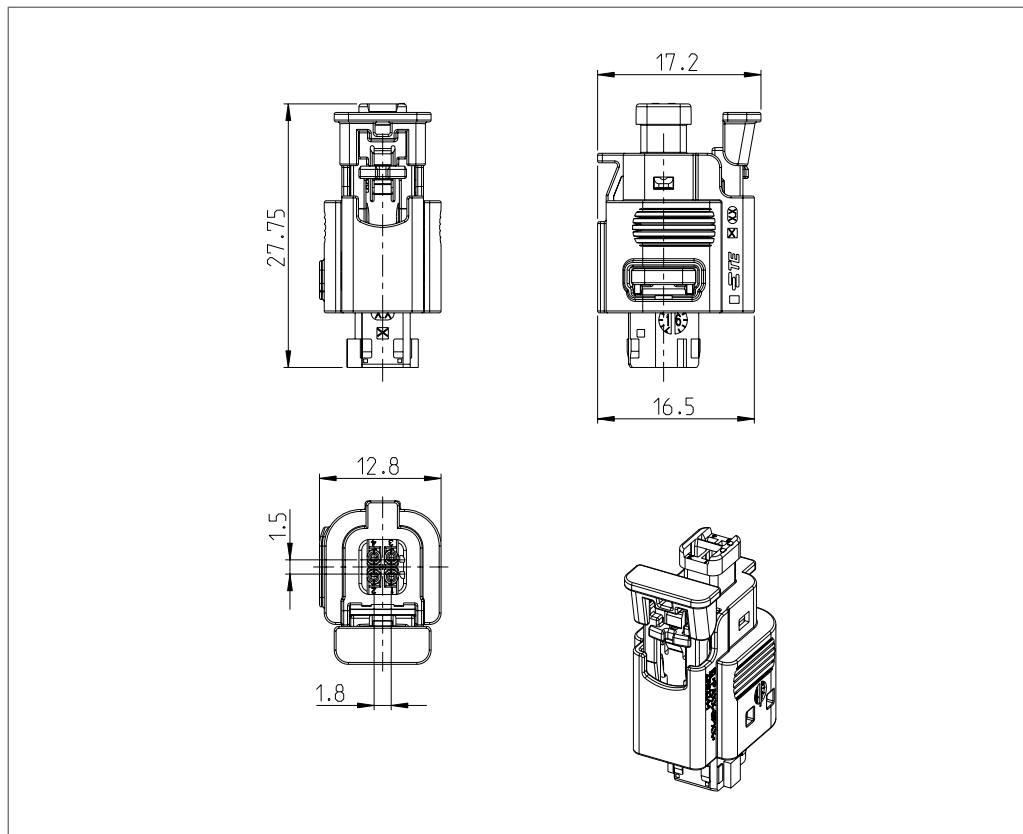
2-1579028-8

Product Specification:

108-94610

Application Specification:

114-94496



Keying Options	Housing Color	Part Numbers						
		Receptacle Housing	Fitting Blind Plugs	Interface	Mating PCB Headers		Contacts	
					Right Angle	Vertical		
Coding A	Black	2318300-1						
Coding B	Natural	2318300-2						
Coding C	Blue	2318300-3*						
Coding D	Green	2318300-4*	2236139-1	208-18009	←	←	x-2177908-x x-2177909-x	
Coding E	Brown	2318300-5*						
Coding F	Gray	2318300-6*						

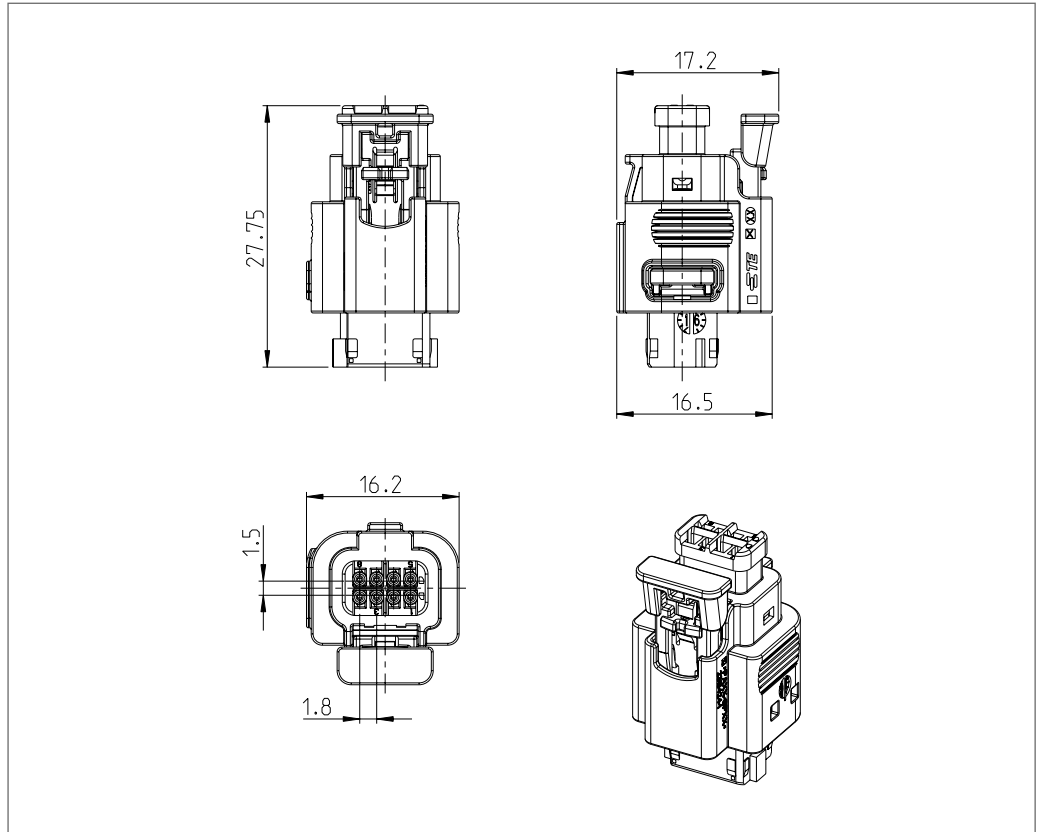
* on request



Technical Features

- No. of Positions:**
8 positions
- Housing Material:**
PA66-GF30
- Wire Size Range:**
0.13 - 0.35 mm²
- Interface:**
208-18009
- Temperature Range:**
-40°C ... +150°C
- Extraction Tool:**
Retainer: 5-1579028-1
Terminal: 8-1579007-9 and
2-1579028-8
- Product Specification:**
108-94610
- Application Specification:**
114-94496

Receptacle Housings - 2 Row Design - 8 Positions

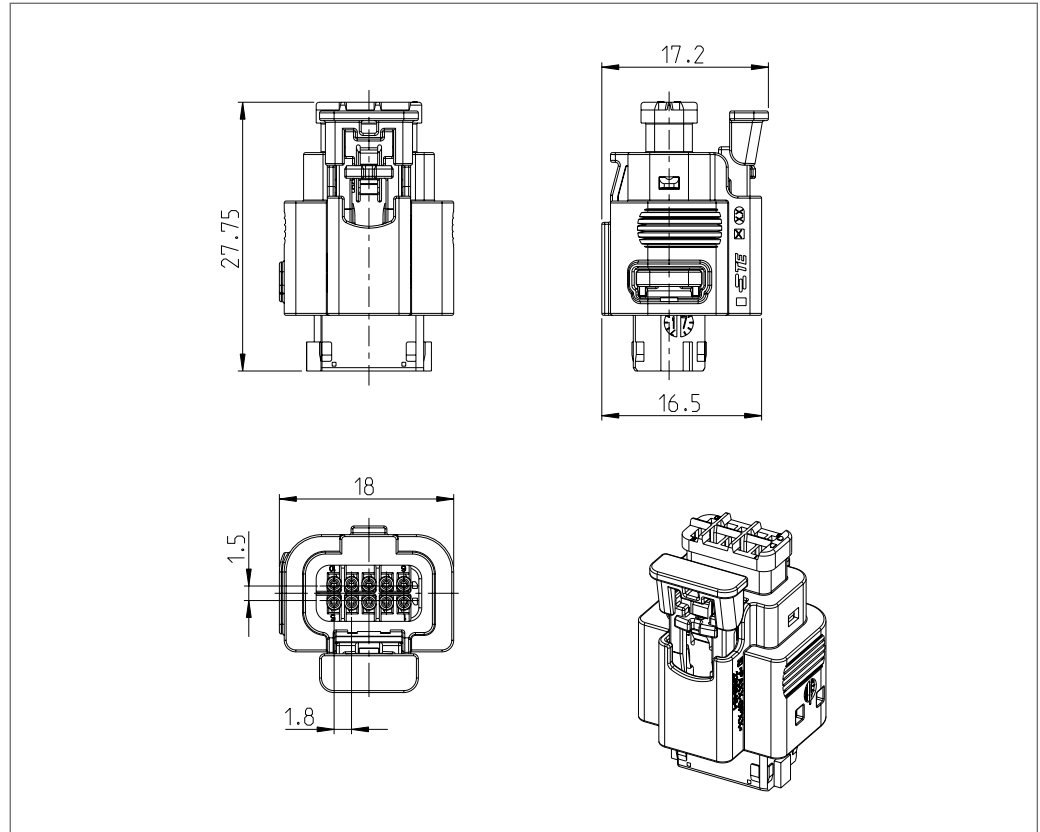


Keying Options	Housing Color	Part Numbers						
		Receptacle Housing	Fitting Blind Plugs	Interface	Mating PCB Headers		Contacts	
					Right Angle	Vertical		
Coding A	Black	2318400-1						
Coding B	Natural	2318400-2						
Coding C	Blue	2318400-3*						
Coding D	Green	2318400-4*	2236139-1	208-18009	←	←	x-2177908-x x-2177909-x	
Coding E	Brown	2318400-5*						
Coding F	Gray	2318400-6*						

* on request



Receptacle Housings - 2 Row Design - 10 Positions



Technical Features

- No. of Positions:**
10 positions
- Housing Material:**
PA66-GF30
- Wire Size Range:**
0.13 - 0.35 mm²
- Interface:**
208-18009
- Temperature Range:**
-40°C ... +150°C
- Extraction Tool:**
Retainer: 5-1579028-1
Terminal: 8-1579007-9 and
2-1579028-8
- Product Specification:**
108-94610
- Application Specification:**
114-94496

Keying Options	Housing Color	Part Numbers					Contacts
		Receptacle Housing	Fitting Blind Plugs	Interface	Mating PCB Headers		
					Right Angle	Vertical	
Coding A	Black	2318935-1					
Coding B	Natural	2318935-2					
Coding C	Blue	2318935-3*					
Coding D	Green	2318935-4*	2236139-1	208-18009	←	←	x-2177908-x x-2177909-x
Coding E	Brown	2318935-5*					
Coding F	Gray	2318935-6*					

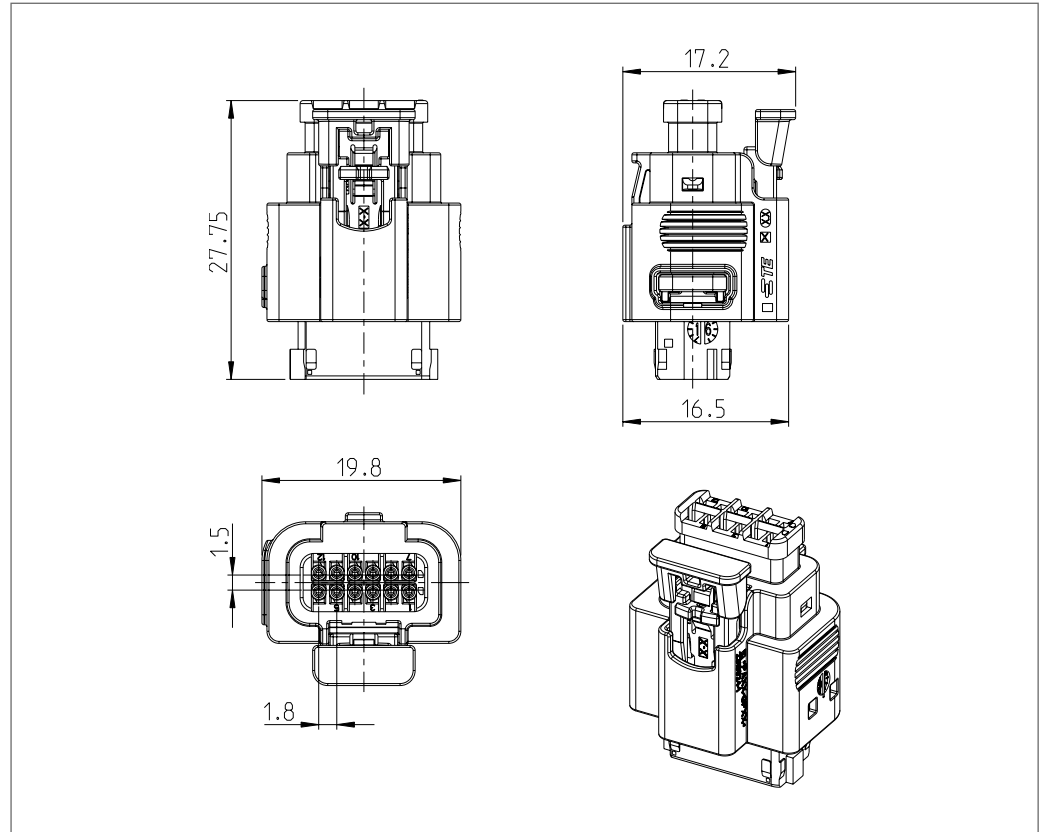
* on request



Technical Features

- No. of Positions:**
12 positions
- Housing Material:**
PA66-GF30
- Wire Size Range:**
0.13 - 0.35 mm²
- Interface:**
208-18009
- Temperature Range:**
-40°C ... +150°C
- Extraction Tool:**
Retainer: 5-1579028-1
Terminal: 8-1579007-9 and
2-1579028-8
- Product Specification:**
108-94610
- Application Specification:**
114-94496

Receptacle Housings - 2 Row Design - 12 Positions



Keying Options	Housing Color	Part Numbers						
		Receptacle Housing	Fitting Blind Plugs	Interface	Mating PCB Headers		Contacts	
					Right Angle	Vertical		
Coding A	Black	2318600-1						
Coding B	Natural	2318600-2						
Coding C	Blue	2318600-3*						
Coding D	Green	2318600-4*	2236139-1	208-18009	←	←	x-2177908-x x-2177909-x	
Coding E	Brown	2318600-5*						
Coding F	Gray	2318600-6*						

* on request



Miniaturization Headers

Miniaturization

1.8 mm pin-to-pin pitch

Small pitch saves ca. 50% of PCB space in comparison to 0.63 connectors

Patented S-bended pins of SMT headers can save 30% of PCB space in comparison to other miniaturized headers in the market

Flexibility

Available in Pin-In Paste (PiP) and Surface-Mount Technology (SMT) versions

Side-latch versions:

Common interface for both with- and without CPA connectors

Automotive-robust Performance

Reflow-process compatible

SG2 vibration grade (unsealed applications)

Automotive-standards conform

Standard automotive interface

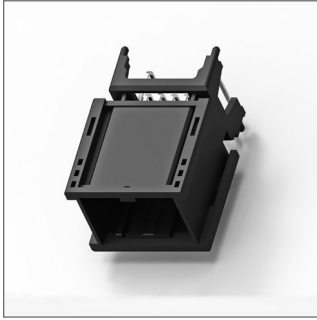
Wide Portfolio

Available in top- and side latch versions

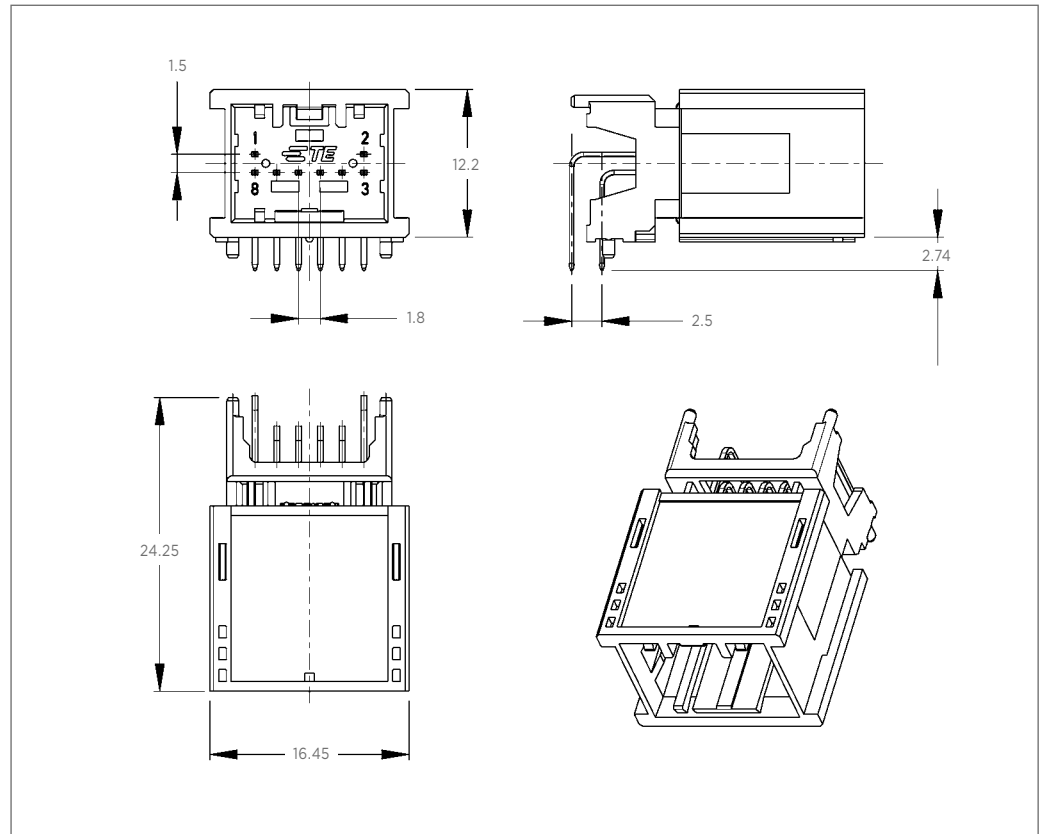
Available in 1- and 2-row versions

Top-latch: 8, 12, 20 and 32 positions

Side-latch: 2 up to 20 positions



PCB Headers - Right Angle - 8 Positions



Technical Features

- No. of Positions:**
8 Positions
- Housing Material:**
LCP, Glas fibre reinforced
- Material and Finish:**
CuMg01, Sn over Ni
- Product Specification:**
108-94313
- Application Specification:**
114-94160

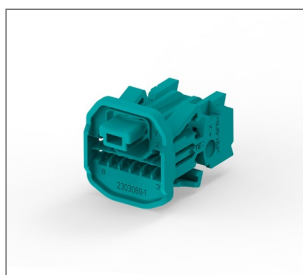
Keying Options	Housing Color	Part Numbers				
		PCB Header Right Angle	Cover	Lever	Retainer Housings	Mating Receptacle Housing
Coding A	Black	0-2177372-3				2177586-1
Coding B	Natural	1-2177372-3	N/A	N/A	N/A	2177586-2
Coding C	Gray	2-2177372-3*				2177586-3*
Coding D	Black	3-2177372-3*				2177586-4*

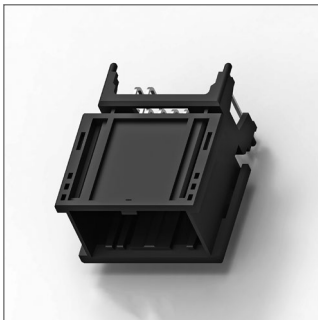
* on request

Mating Receptacle Housing
see page 20

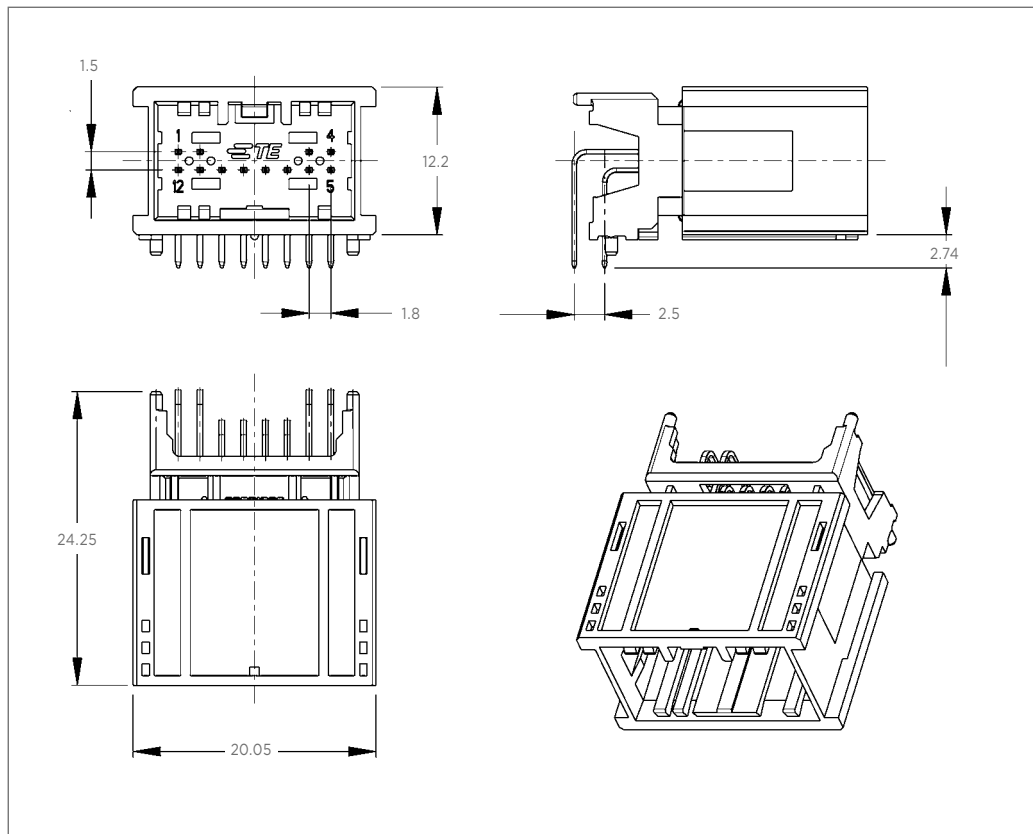


Mating FFC Receptacle Housing
see page 24





PCB Headers - Right Angle - 12 Positions



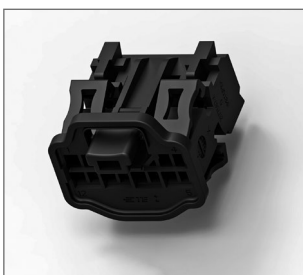
Technical Features

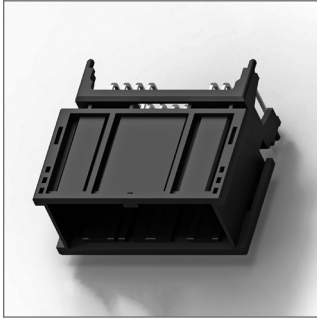
- No. of Positions:**
12 Positions
- Housing Material:**
LCP, Glas fibre reinforced
- Material and Finish:**
CuMg01, Sn over Ni
- Product Specification:**
108-94313
- Application Specification:**
114-94160

Keying Options	Housing Color	Part Numbers				
		PCB Header Right Angle	Cover	Lever	Retainer Housings	Mating Receptacle Housing
Coding A	Black	0-2177370-3				2177587-1
Coding B	Natural	1-2177370-3	N/A	N/A	N/A	2177587-2
Coding C	Gray	2-2177370-3*				2177587-3*
Coding D	Black	3-2177370-3*				2177587-4*

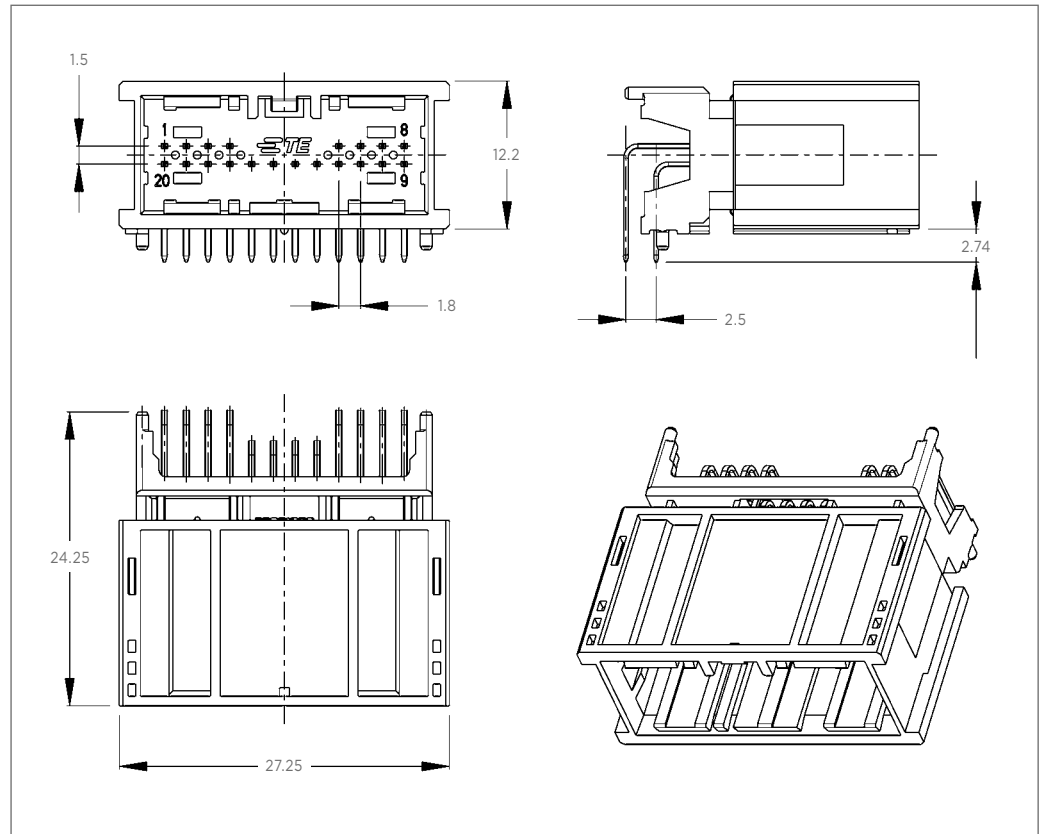
* on request

Mating Receptacle Housing
see page 21





PCB Headers - Right Angle - 20 Positions



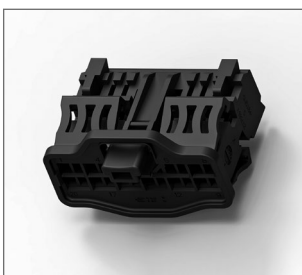
Technical Features

- No. of Positions:** 20 Positions
- Housing Material:** LCP, Glas fibre reinforced
- Material and Finish:** CuMg01, Sn over Ni
- Product Specification:** 108-94313
- Application Specification:** 114-94160

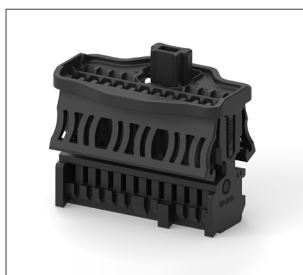
Keying Options	Housing Color	Part Numbers				
		PCB Header Right Angle	Cover	Lever	Retainer Housings	Mating Receptacle Housing
Coding A	Black	0-2177367-3				2177588-1
Coding B	Natural	1-2177367-3	N/A	N/A	N/A	2177588-2
Coding C	Gray	2-2177367-3*				2177588-3*
Coding D	Black	3-2177367-3*				2177588-4*

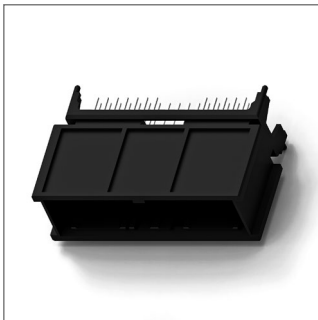
* on request

Mating Receptacle Housing see page 22

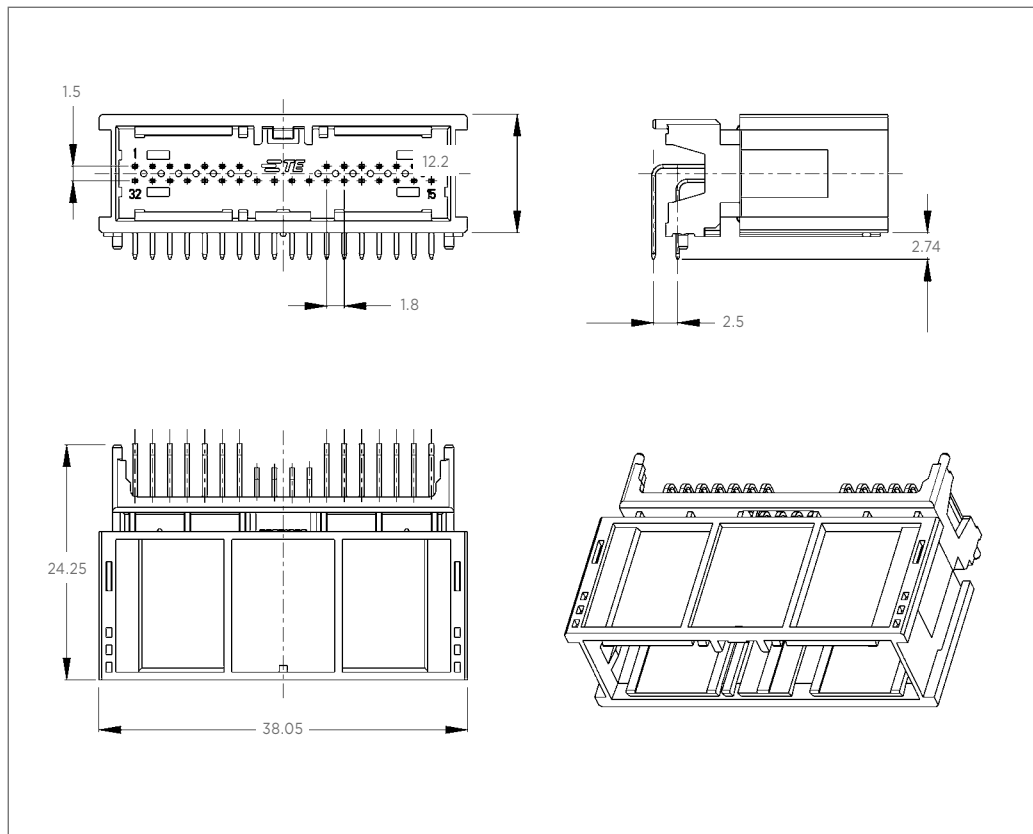


Mating FFC Receptacle Housing see page 25





PCB Headers - Right Angle - 32 Positions



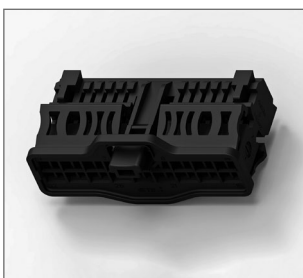
Technical Features

- No. of Positions:**
32 Positions
- Housing Material:**
LCP, Glas fibre reinforced
- Material and Finish:**
CuMg01, Sn over Ni
- Product Specification:**
108-94313
- Application Specification:**
114-94160

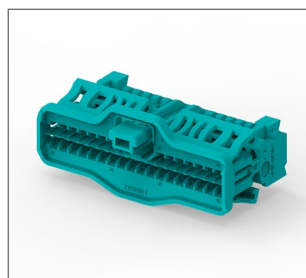
Keying Options	Housing Color	Part Numbers				
		PCB Header Right Angle	Cover	Lever	Retainer Housings	Mating Receptacle Housing
Coding A	Black	0-2177419-3				2141576-1
Coding B	Natural	1-2177419-3	N/A	N/A	N/A	2141576-2
Coding C	Gray	2-2177419-3				2141576-3
Coding D	Black	3-2177419-3*				2141576-4*

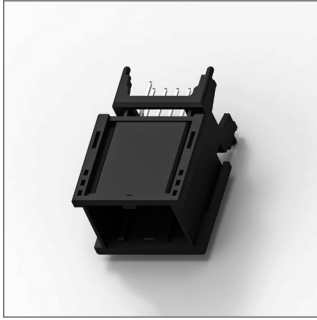
* on request

Mating Receptacle Housing see page 23

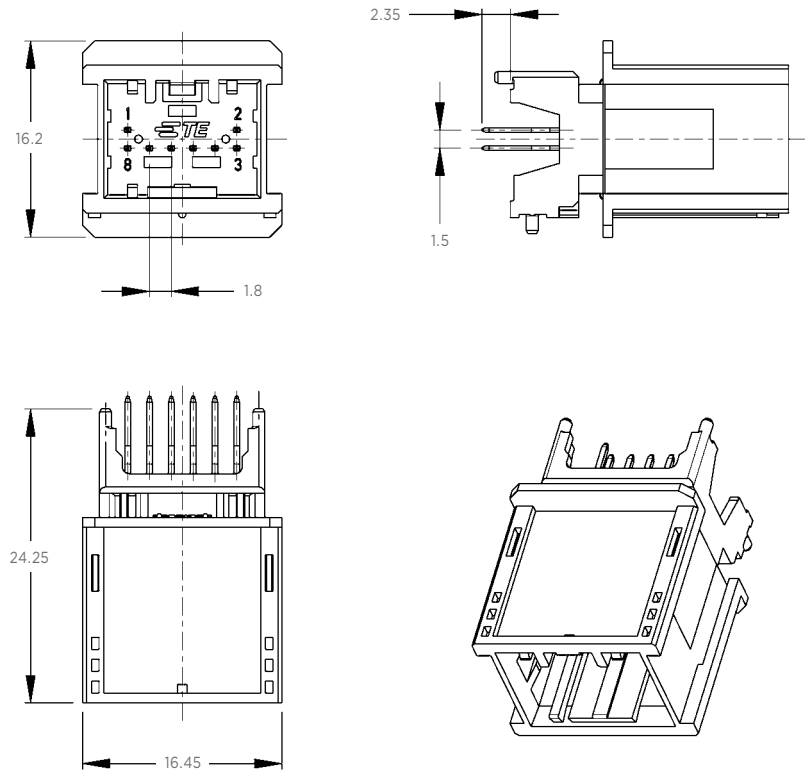


Mating FFC Receptacle Housing see page 26





PCB Headers - Vertical - 8 Positions



Technical Features

No. of Positions:
8 Positions

Housing Material:
LCP, Glas fibre reinforced

Material and Finish:
CuMg01, Sn over Ni

Product Specification:
108-94313

Application Specification:
114-94160

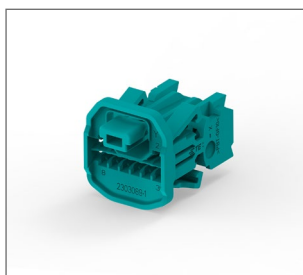
Keying Options	Housing Color	Part Numbers				
		PCB Header Vertical	Cover	Lever	Retainer Housings	Mating Receptacle Housing
Coding A	Black	0-2177768-3				2177586-1
Coding B	Natural	1-2177768-3	N/A	N/A	N/A	2177586-2
Coding C	Gray	2-2177768-3*				2177586-3*
Coding D	Black	3-2177768-3*				2177586-4*

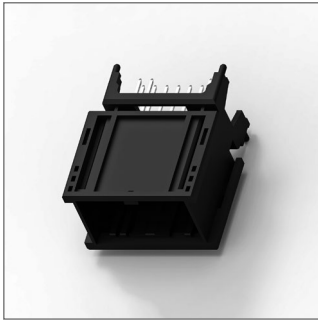
* on request

Mating Receptacle Housing
see page 20

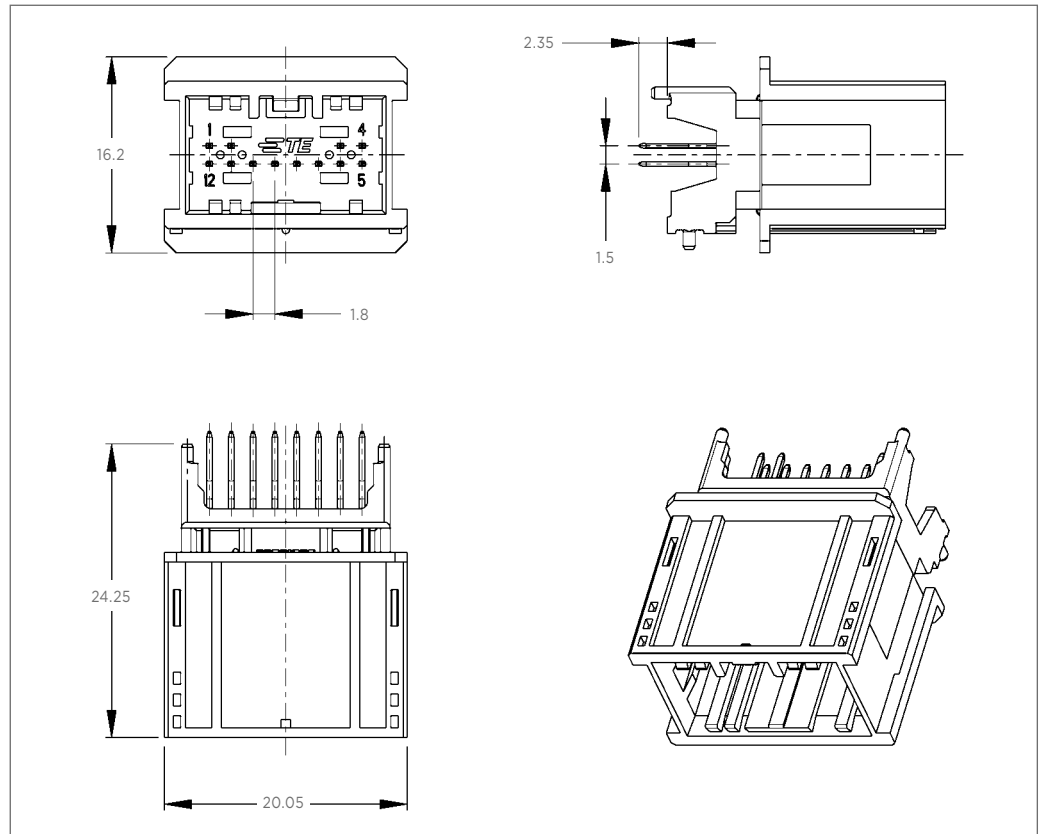


Mating FFC Receptacle Housing
see page 24





PCB Headers - Vertical - 12 Positions



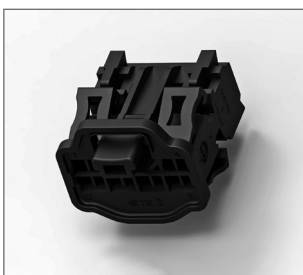
Technical Features

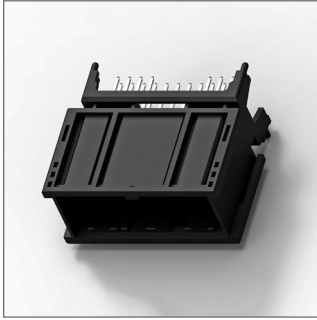
- No. of Positions:**
12 Positions
- Housing Material:**
LCP, Glas fibre reinforced
- Material and Finish:**
CuMg01, Sn over Ni
- Product Specification:**
108-94313
- Application Specification:**
114-94160

Keying Options	Housing Color	Part Numbers				
		PCB Header Vertical	Cover	Lever	Retainer Housings	Mating Receptacle Housing
Coding A	Black	0-2177767-3				2177587-1
Coding B	Natural	1-2177767-3	N/A	N/A	N/A	2177587-2
Coding C	Gray	2-2177767-3*				2177587-3*
Coding D	Black	3-2177767-3*				2177587-4*

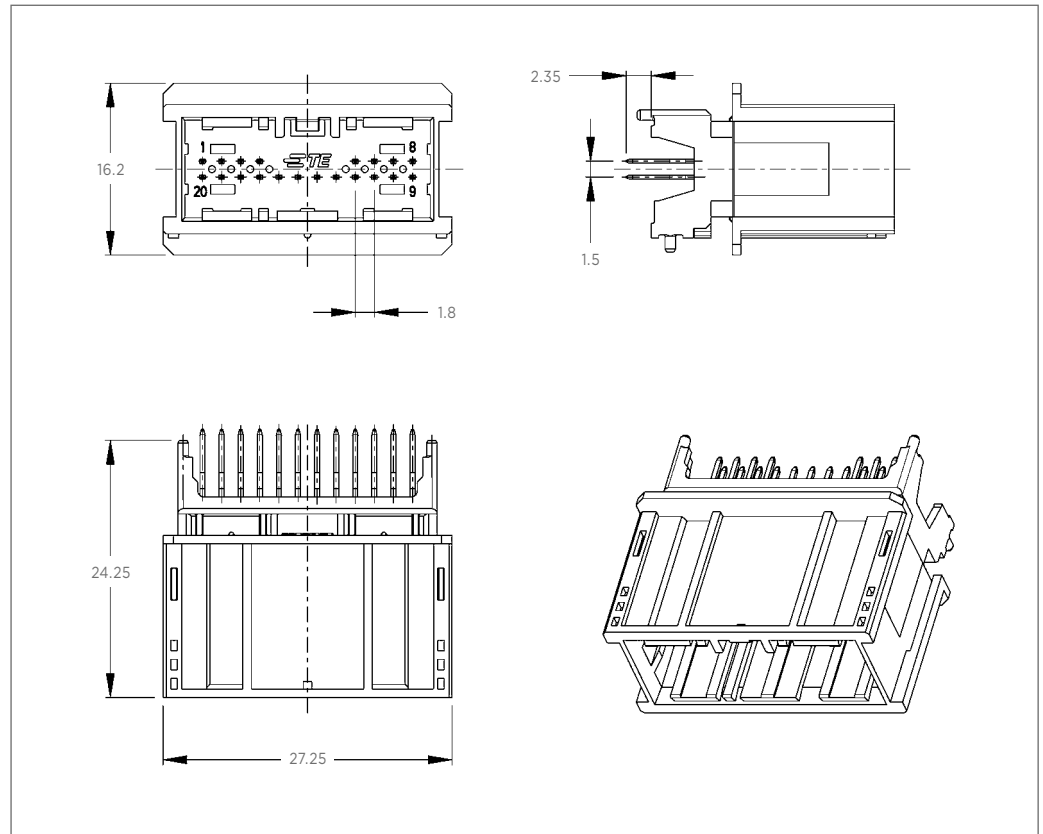
* on request

Mating Receptacle Housing
see page 21





PCB Headers - Vertical - 20 Positions



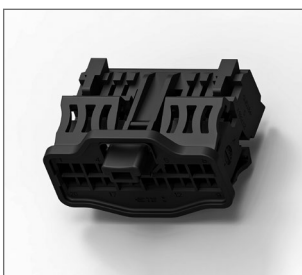
Technical Features

- No. of Positions:**
20 Positions
- Housing Material:**
LCP, Glas fibre reinforced
- Material and Finish:**
CuMg01, Sn over Ni
- Product Specification:**
108-94313
- Application Specification:**
114-94160

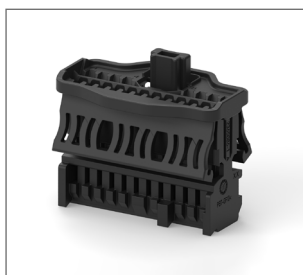
Keying Options	Housing Color	Part Numbers				
		PCB Header Vertical	Cover	Lever	Retainer Housings	Mating Receptacle Housing
Coding A	Black	0-2177766-3				2177588-1
Coding B	Natural	1-2177766-3	N/A	N/A	N/A	2177588-2
Coding C	Gray	2-2177766-3*				2177588-3*
Coding D	Black	3-2177766-3*				2177588-4*

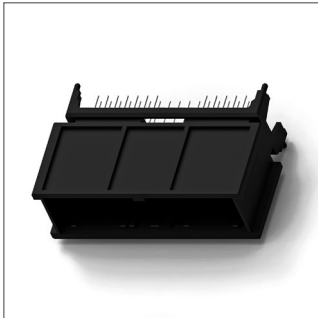
* on request

Mating Receptacle Housing
see page 22

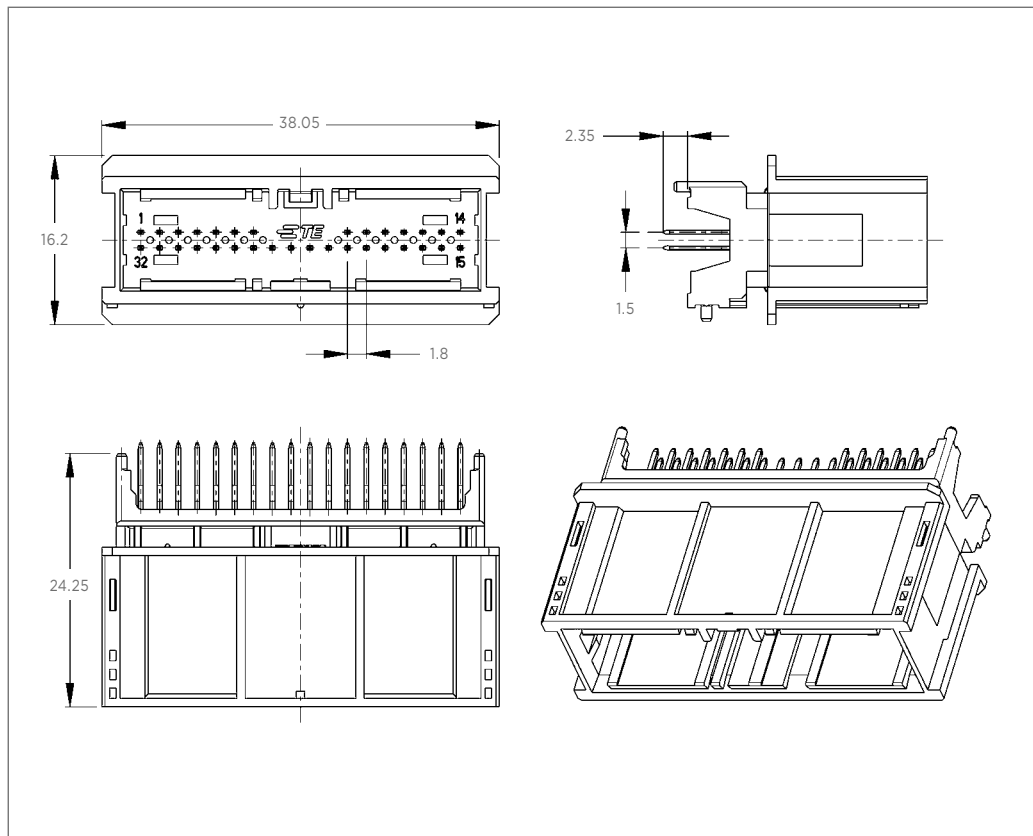


Mating FFC Receptacle Housing
see page 25





PCB Headers - Vertical - 32 Positions



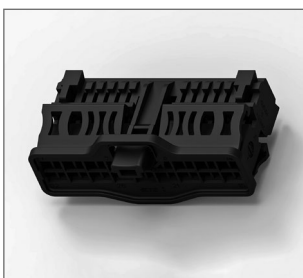
Technical Features

- No. of Positions:**
32 Positions
- Housing Material:**
LCP-GF30 / LCP-GF35
- Material and Finish:**
CuMg01, Sn over NiMating
- Product Specification:**
108-94313
- Application Specification:**
114-94160

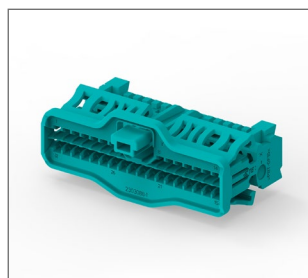
Keying Options	Housing Color	Part Numbers				
		PCB Header Vertical	Cover	Lever	Retainer Housings	Mating Receptacle Housing
Coding A	Black	0-2177748-3				2141576-1
Coding B	Natural	1-2177748-3	N/A	N/A	N/A	2141576-2
Coding C	Gray	2-2177748-3				2141576-3
Coding D	Black	3-2177748-3*				2141576-4*

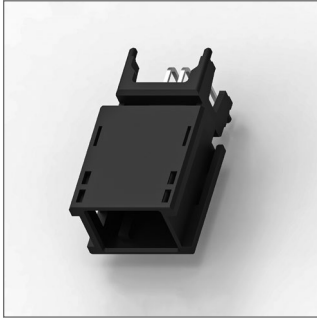
* on request

Mating Receptacle Housing
see page 23



Mating FFC Receptacle Housing
see page 26





Technical Features

No. of Positions:
6 Positions

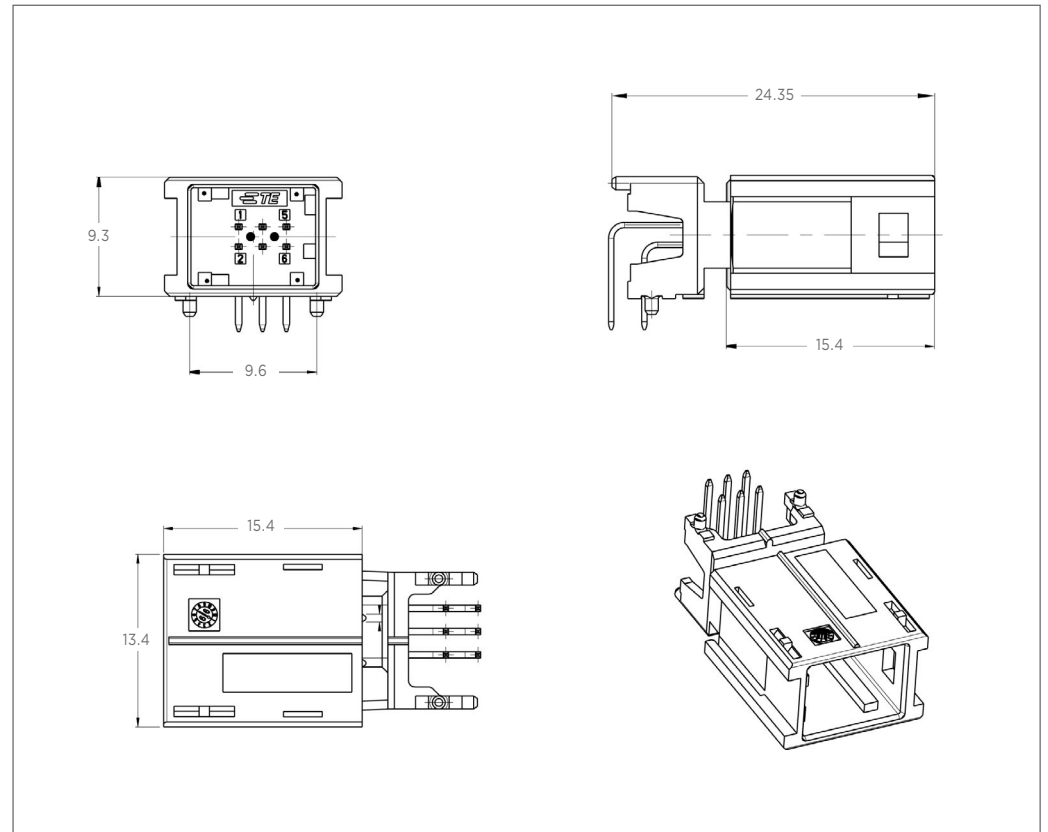
Housing Material:
LCP, Glas fibre reinforced

Material and Finish:
CuMg01, Sn over Ni

Product Specification:
108-94359

Application Specification:
114-94160

PCB Headers – 2 Row Design – 6 Positions



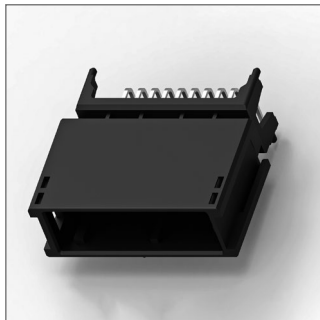
Keying Options	Housing Color	Part Numbers				
		PCB Header Right Angle	Cover	Lever	Retainer Housing	Mating Receptacle Housings
Coding A	Black	2208636-1	N/A	N/A	N/A	2208338-1
Coding B		2208636-2*				2208338-2
Coding C		2208636-3*				2208338-3*
Coding D		2208636-4*				2208338-4*

* on request

Mating Receptacle Housing
see page 27

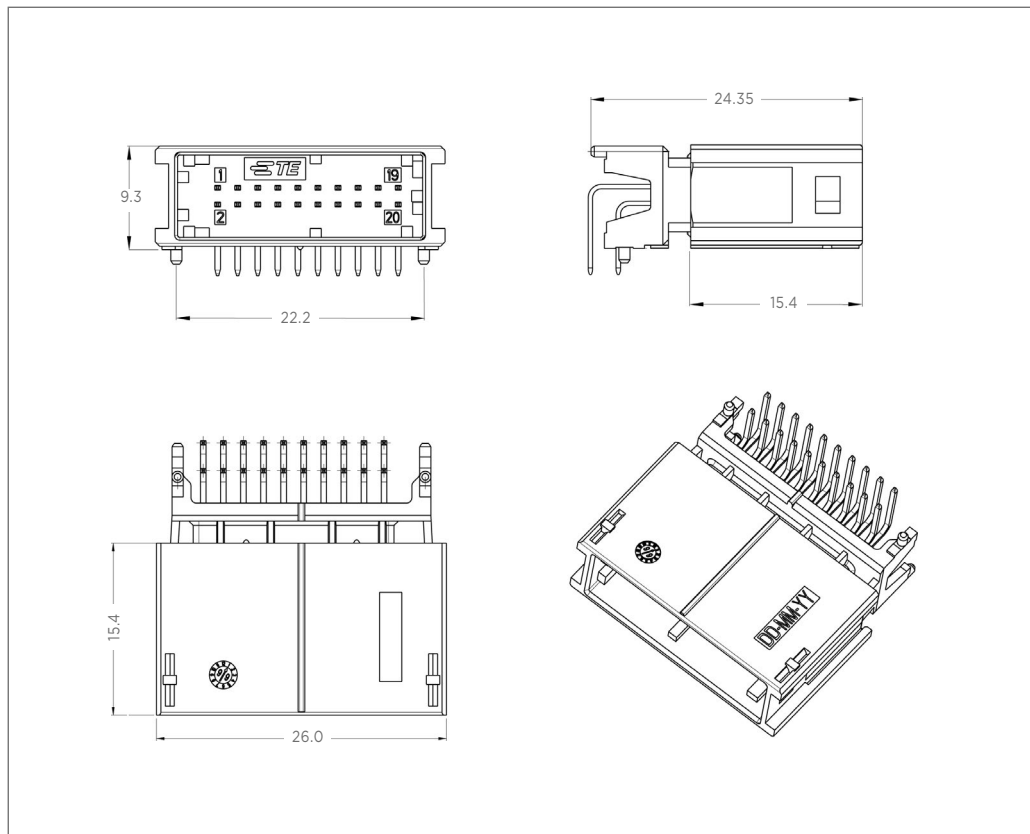


PCB Headers - 2 Row Design - 20 Positions



Technical Features

- No. of Positions:**
20 Positions
- Housing Material:**
LCP, Glas fibre reinforced
- Material and Finish:**
CuMg01, Sn over Ni
- Product Specification:**
108-94359
- Application Specification:**
114-94160

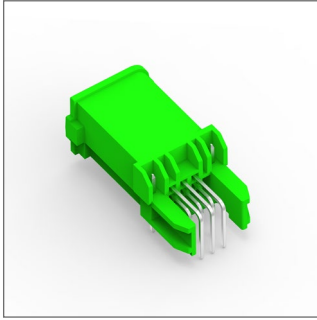


Keying Options	Housing Color	Part Numbers				Mating Receptacle Housings
		PCB Header Right Angle	Cover	Lever	Retainer Housing	
Coding A	Black	2208165-1	N/A	N/A	N/A	2141404-1
Coding B		2208165-2				2141404-2
Coding C		2208165-3*				2141404-3*
Coding D		2208165-4*				2141404-4*
Coding Z	Natural	1-2208165-2				2141404-2

* on request

Mating Receptacle Housing
see page 30





Technical Features

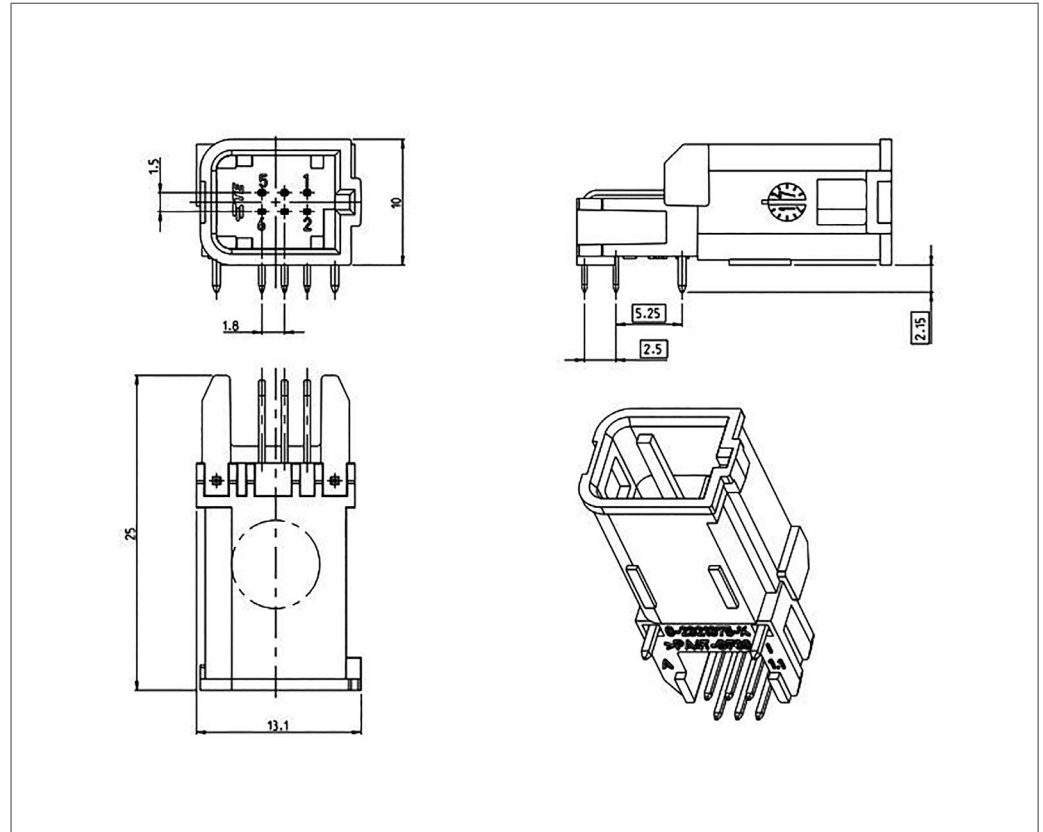
No. of Positions:
6 Positions

Housing Material:
PA4T-GF30

Material and Finish:
CuMg 0.1, Sn over Ni

Interface:
114-94000-20

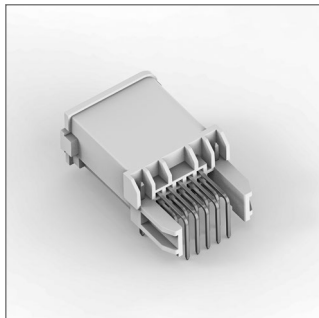
PCB Headers - Right Angle - 2 Row Design - 6 Positions



Keying Options	Housing Color	Part Numbers				
		PCB Header Right Angle	Cover	Lever	Mating Receptacle Housings	
					with CPA	no CPA
Coding E	Green	2321376-5	N/A	N/A	2345104-5*	2302501-5*

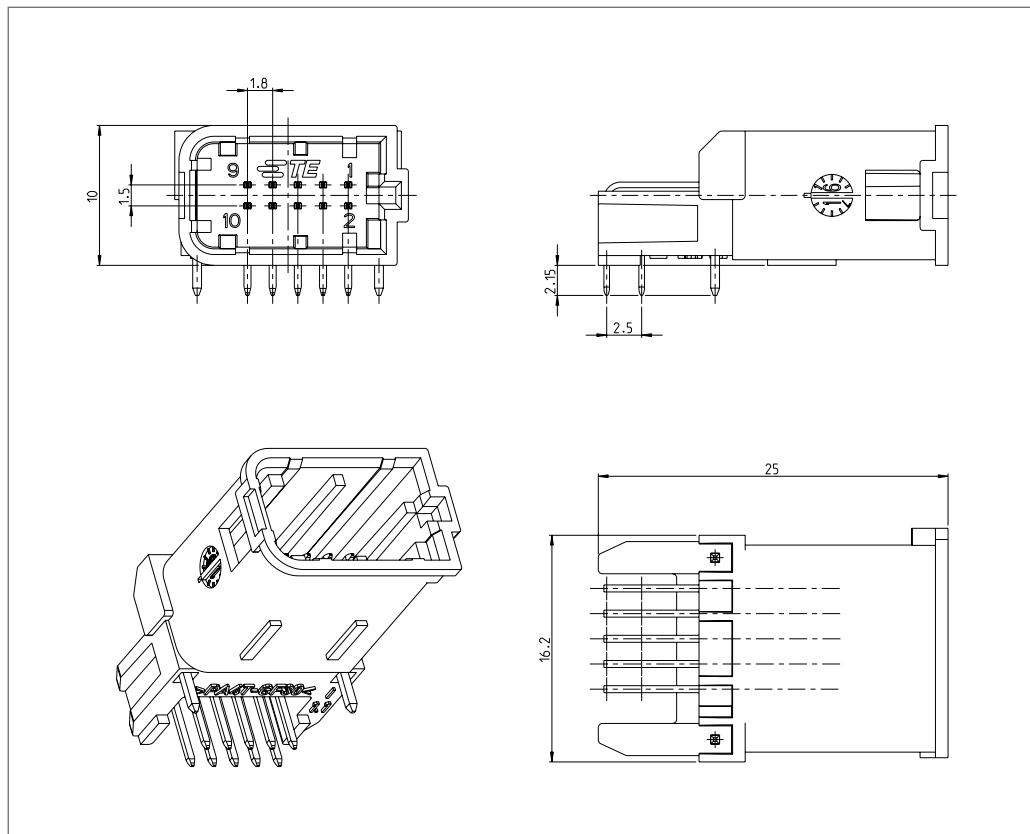
* on request

PCB Headers - Right Angle - 2 Row Design - 10 Positions



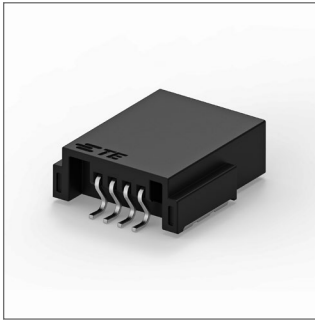
Technical Features

- No. of Positions:**
10 Positions
- Housing Material:**
PA4T-GF30
- Material and Finish:**
CuMg 0.1, Sn over Ni
- Interface:**
114-94000-20



Keying Options	Housing Color	Part Numbers				
		PCB Header Right Angle	Cover	Lever	Mating Receptacle Housings	
					with CPA	no CPA
Coding B	Natural	2300292-1	N/A	N/A	2312108-2	2302475-2

* on request



Technical Features

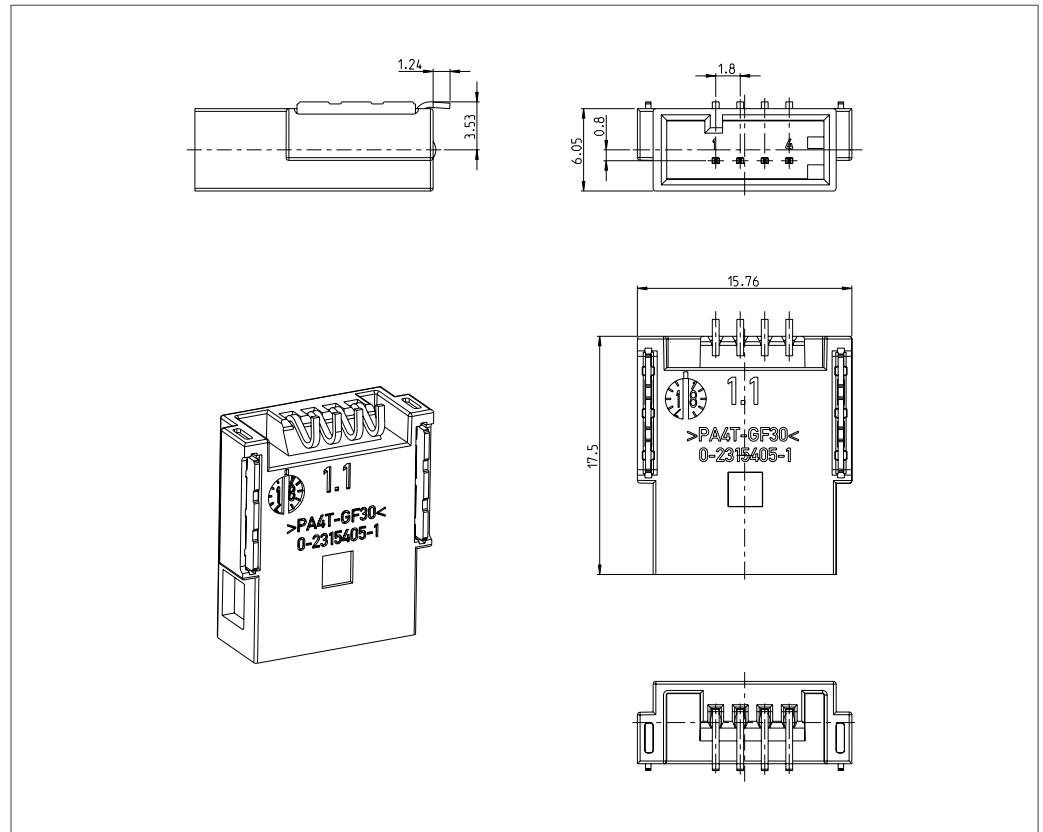
No. of Positions:
4 Positions

Housing Material:
PA4T-GF30

Material and Finish:
CuMg 0.1, Sn over Ni

Interface:
114-94000-17
208-18060

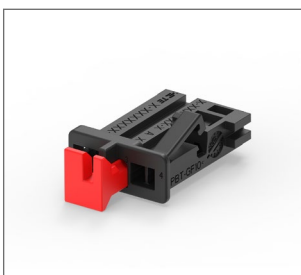
PCB Headers - Right Angle - 1 Row Design - 4 Positions



Keying Options	Housing Color	PCB Header Right Angle	Cover	Lever	Part Numbers	
					Mating Receptacle Housings	
					with CPA	no CPA
Coding A	Black	2315405-1	N/A	N/A	2333102-1	2282152-1
Coding B	Natural	2315405-2			2333102-2	2282152-2
Coding C	Blue	2315405-3*			2333102-3*	2282152-3
Coding D	Violet	2315405-4*			2333102-4*	2282152-4

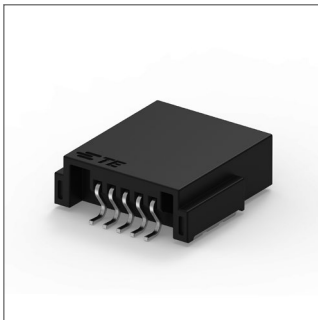
* on request

Mating Receptacle Housing with CPA see page 50

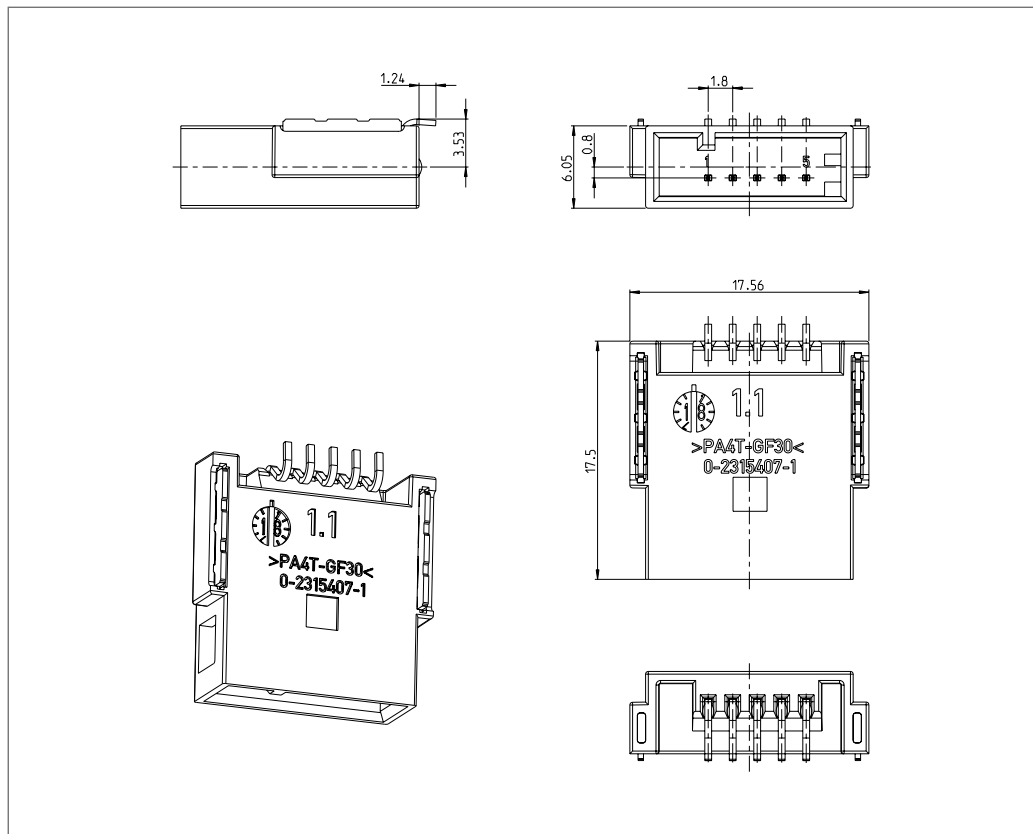


Mating Receptacle Housing no CPA see page 33





PCB Headers - Right Angle - 1 Row Design - 5 Positions



Technical Features

No. of Positions:
5 Positions

Housing Material:
PA4T-GF30

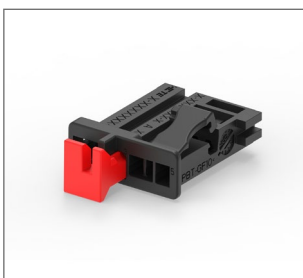
Material and Finish:
CuMg 0.1, Sn over Ni

Interface:
114-94000-17
208-18060

Keying Options	Housing Color	PCB Header Right Angle	Cover	Lever	Part Numbers	
					Mating Receptacle Housings	
					with CPA	no CPA
Coding A	Black	2315407-1	N/A	N/A	2333103-1	2282153-1
Coding B	Natural	2315407-2			2333103-2	2282153-2
Coding C	Blue	2315407-3*			2333103-3	2282153-3
Coding D	Violet	2315407-4*			2333103-4*	2282153-4

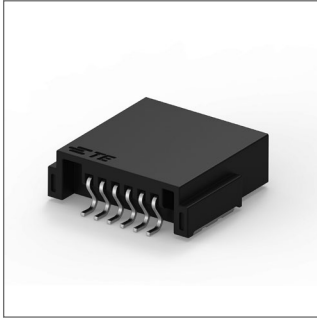
* on request

Mating Receptacle Housing with CPA see page 51



Mating Receptacle Housing no CPA see page 34





Technical Features

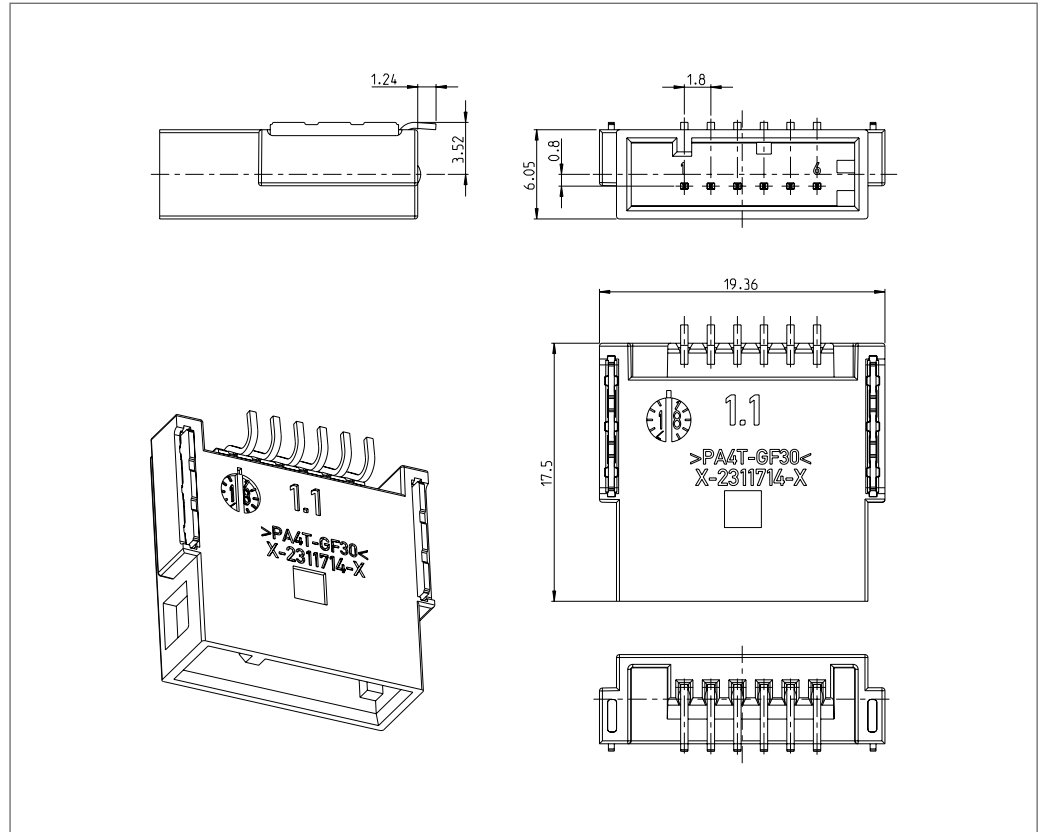
No. of Positions:
6 Positions

Housing Material:
PA4T-GF30

Material and Finish:
CuMg 0.1, Sn over Ni

Interface:
114-94000-17
208-18060

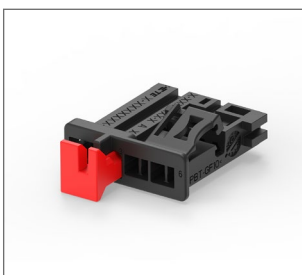
PCB Headers - Right Angle - 1 Row Design - 6 Positions



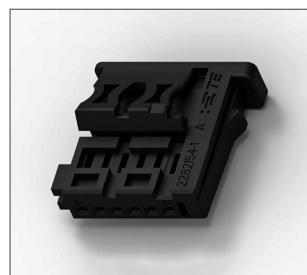
Keying Options	Housing Color	PCB Header Right Angle	Cover	Lever	Part Numbers	
					Mating Receptacle Housings	
					with CPA	no CPA
Coding A	Black	2311714-1	N/A	N/A	2333104-1	2282154-1
Coding B	Natural	2311714-2			2333104-2	2282154-2
Coding C	Blue	2311714-3*			2333104-3*	2282154-3
Coding D	Violet	2311714-4*			2333104-4*	2282154-4

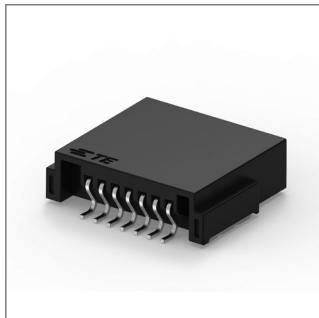
* on request

Mating Receptacle Housing with CPA see page 52

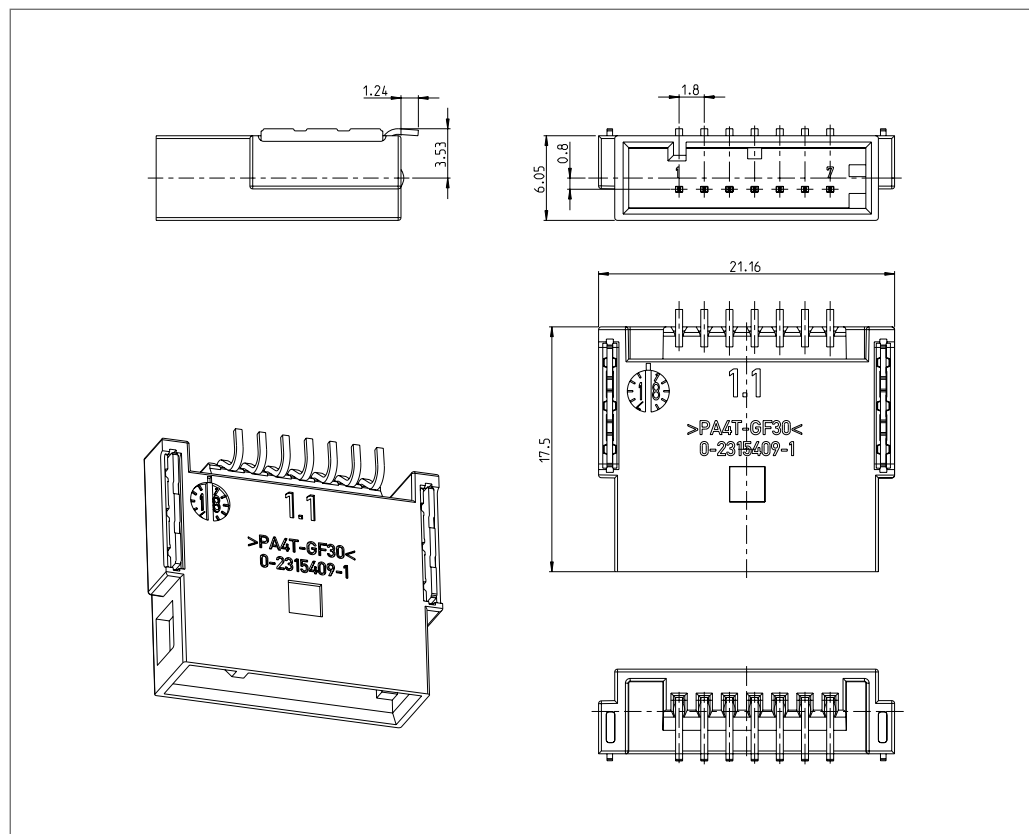


Mating Receptacle Housing no CPA see page 35





PCB Headers - Right Angle - 1 Row Design - 7 Positions



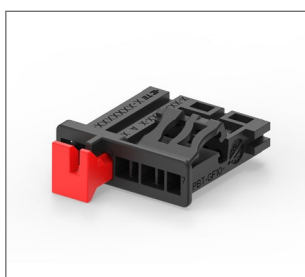
Technical Features

- No. of Positions:**
7 Positions
- Housing Material:**
PA4T-GF30
- Material and Finish:**
CuMg 0.1, Sn over Ni
- Interface:**
114-94000-17
208-18060

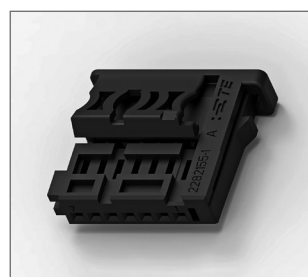
Keying Options	Housing Color	PCB Header Right Angle	Part Numbers			
			Cover	Lever	Mating Receptacle Housings	
					with CPA	no CPA
Coding A	Black	2315409-1	N/A	N/A	2333105-1	2282155-1
Coding B	Natural	2315409-2			2333105-2	2282155-2
Coding C	Blue	2315409-3*			2333105-3*	2282155-3
Coding D	Violet	2315409-4*			2333105-4*	2282155-4

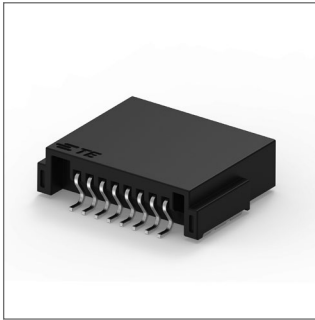
* on request

Mating Receptacle Housing with CPA see page 53



Mating Receptacle Housing no CPA see page 36





Technical Features

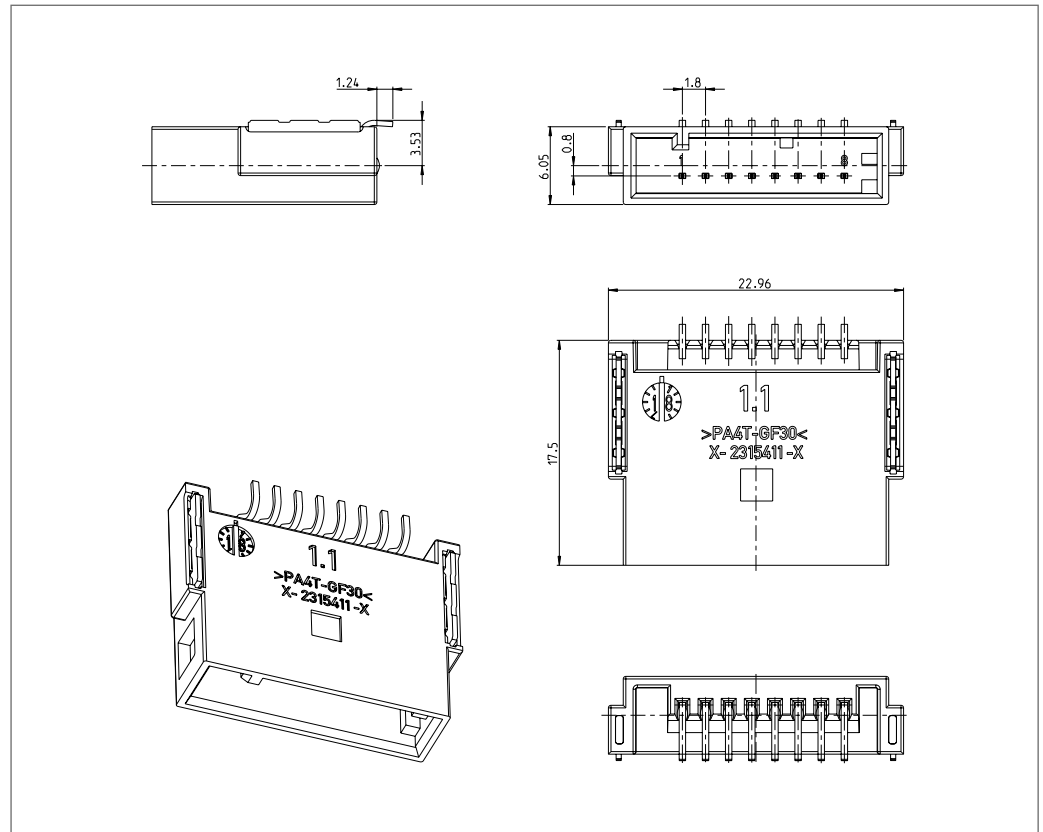
No. of Positions:
8 Positions

Housing Material:
PA4T-GF30

Material and Finish:
CuMg 0.1, Sn over Ni

Interface:
114-94000-17
208-18060

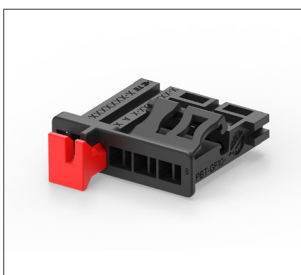
PCB Headers - Right Angle - 1 Row Design - 8 Positions



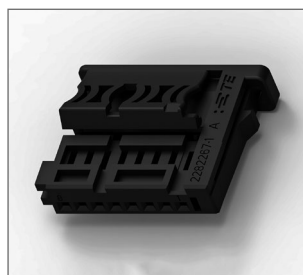
Keying Options	Housing Color	Part Numbers				
		PCB Header Right Angle	Cover	Lever	Mating Receptacle Housings	
					with CPA	no CPA
Coding A	Black	2315411-1	N/A	N/A	2309873-1	2282267-1
Coding B	Natural	2315411-2			2309873-2	2282267-2
Coding C	Blue	2315411-3*			2309873-3	2282267-3
Coding D	Violet	2315411-4*			2309873-4*	2282267-4

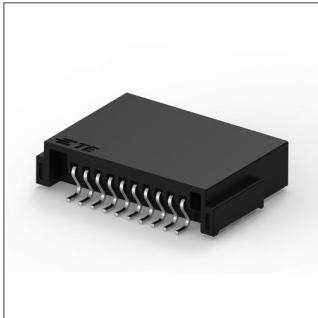
* on request

Mating Receptacle Housing with CPA see page 54

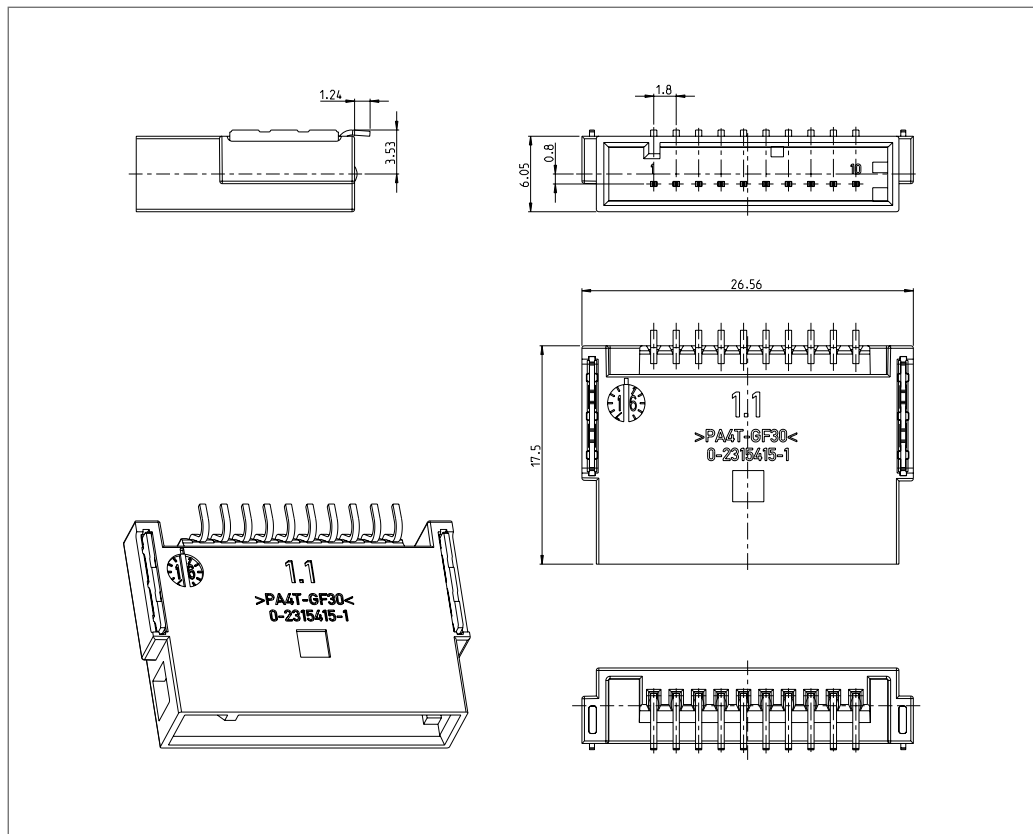


Mating Receptacle Housing no CPA see page 37





PCB Headers - Right Angle - 1 Row Design - 10 Positions



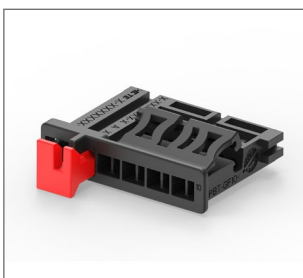
Technical Features

- No. of Positions:**
10 Positions
- Housing Material:**
PA4T-GF30
- Material and Finish:**
CuMg 0.1, Sn over Ni
- Interface:**
114-94000-17
208-18060

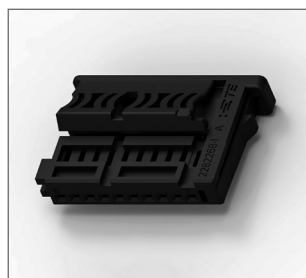
Keying Options	Housing Color	PCB Header Right Angle	Part Numbers			
			Cover	Lever	Mating Receptacle Housings	
					with CPA	no CPA
Coding A	Black	2315415-1	N/A	N/A	2333108-1	2282268-1
Coding B	Natural	2315415-2			2333108-2	2282268-2
Coding C	Blue	2315415-3*			2333108-3*	2282268-3
Coding D	Violet	2315415-4*			2333108-4*	2282268-4

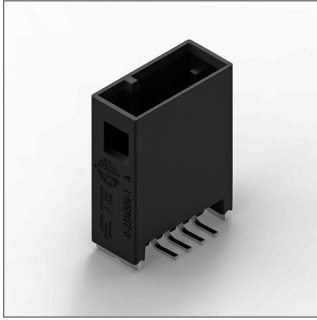
* on request

Mating Receptacle Housing with CPA see page 55



Mating Receptacle Housing no CPA see page 39





Technical Features

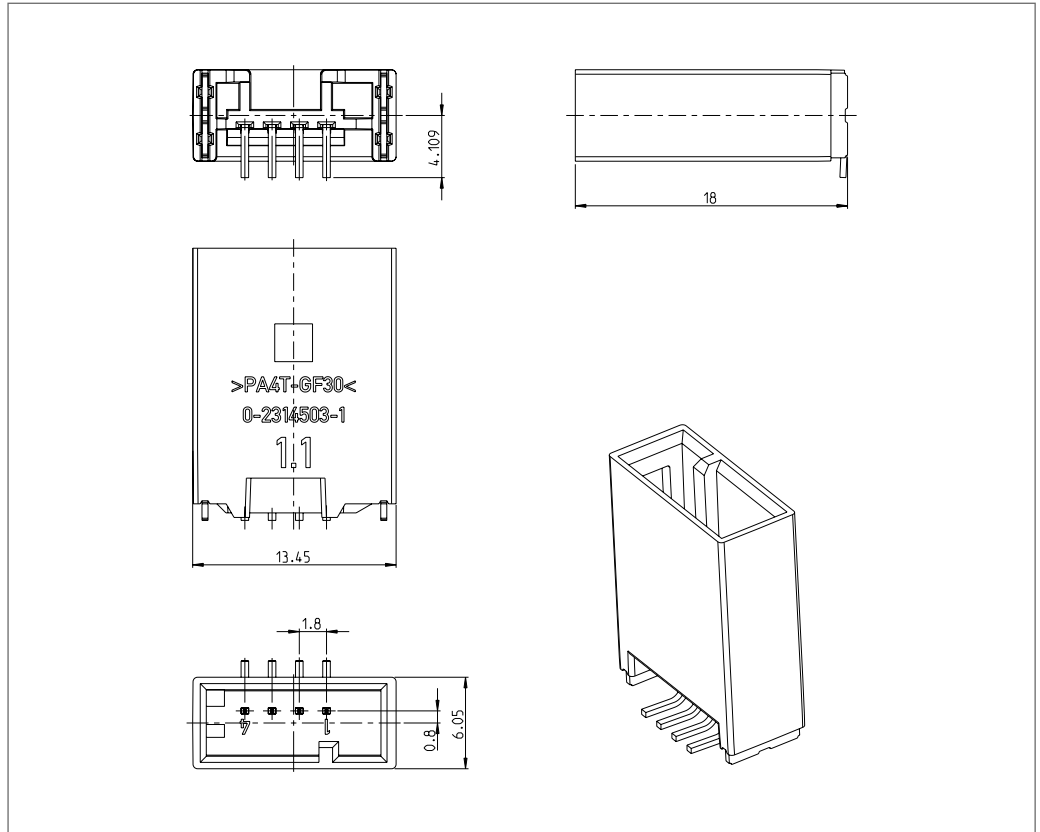
No. of Positions:
4 Positions

Housing Material:
PA4T-GF30

Material and Finish:
CuMg 0.1, Sn over Ni

Interface:
114-94000-17
208-18060

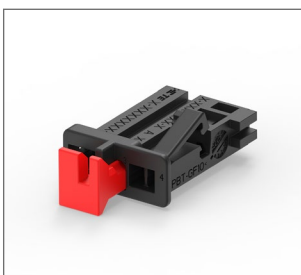
PCB Headers - Vertical Angle - 1 Row Design - 4 Positions



Keying Options	Housing Color	PCB Header Vertical Angle	Cover	Lever	Part Numbers	
					Mating Receptacle Housings	
					with CPA	no CPA
Coding A	Black	2314503-1	N/A	N/A	2333102-1	2282152-1
Coding B	Natural	2314503-2			2333102-2	2282152-2
Coding C	Blue	2314503-3*			2333102-3*	2282152-3
Coding D	Violet	2314503-4*			2333102-4*	2282152-4

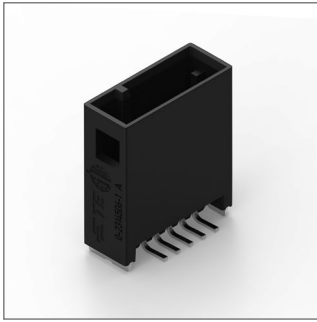
* on request

Mating Receptacle Housing with CPA see page 50

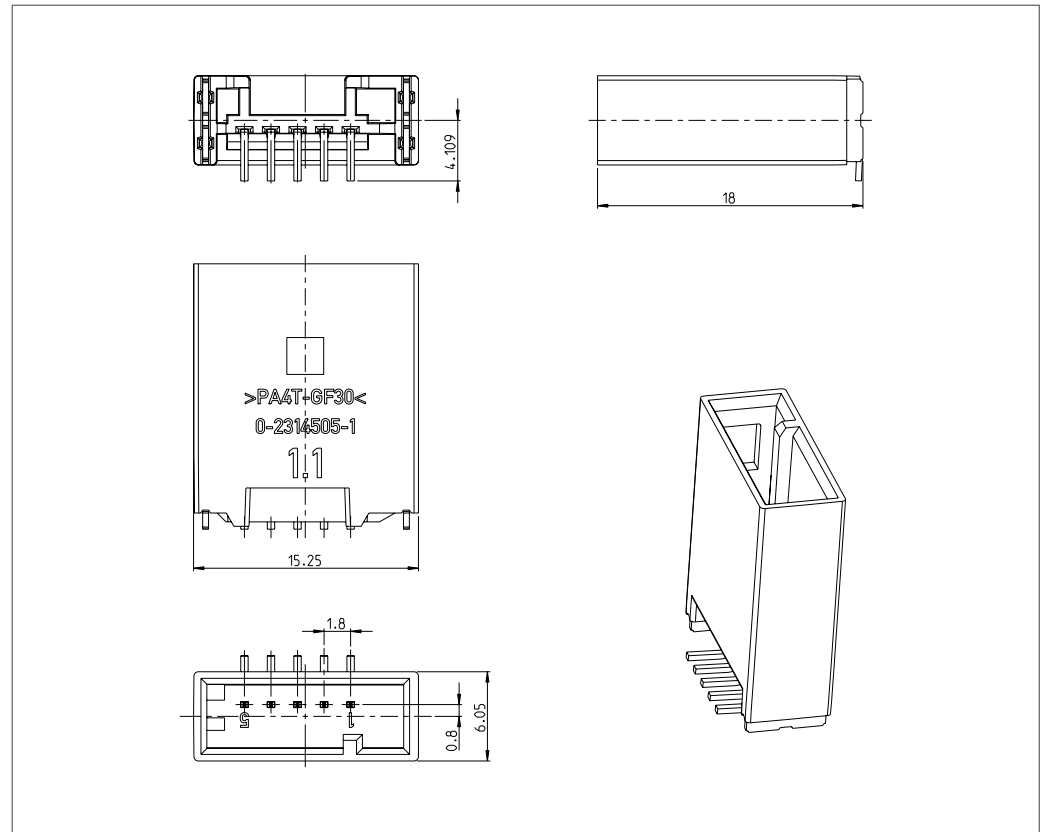


Mating Receptacle Housing no CPA see page 33





PCB Headers - Vertical Angle - 1 Row Design - 5 Positions



Technical Features

No. of Positions:
5 Positions

Housing Material:
PA4T-GF30

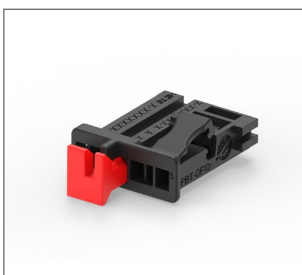
Material and Finish:
CuMg 0.1, Sn over Ni

Interface:
114-94000-17
208-18060

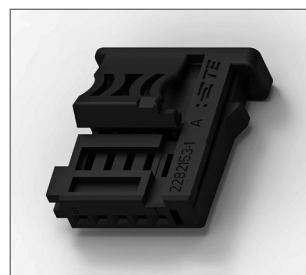
Keying Options	Housing Color	PCB Header Vertical Angle	Part Numbers			
			Cover	Lever	Mating Receptacle Housings	
					with CPA	no CPA
Coding A	Black	2314505-1	N/A	N/A	2333103-1	2282153-1
Coding B	Natural	2314505-2			2333103-2	2282153-2
Coding C	Blue	2314505-3			2333103-3	2282153-3
Coding D	Violet	2314505-4*			2333103-4*	2282153-4

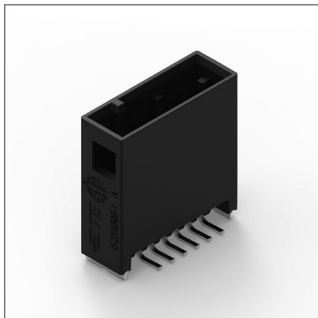
* on request

Mating Receptacle Housing with CPA see page 51



Mating Receptacle Housing no CPA see page 34





Technical Features

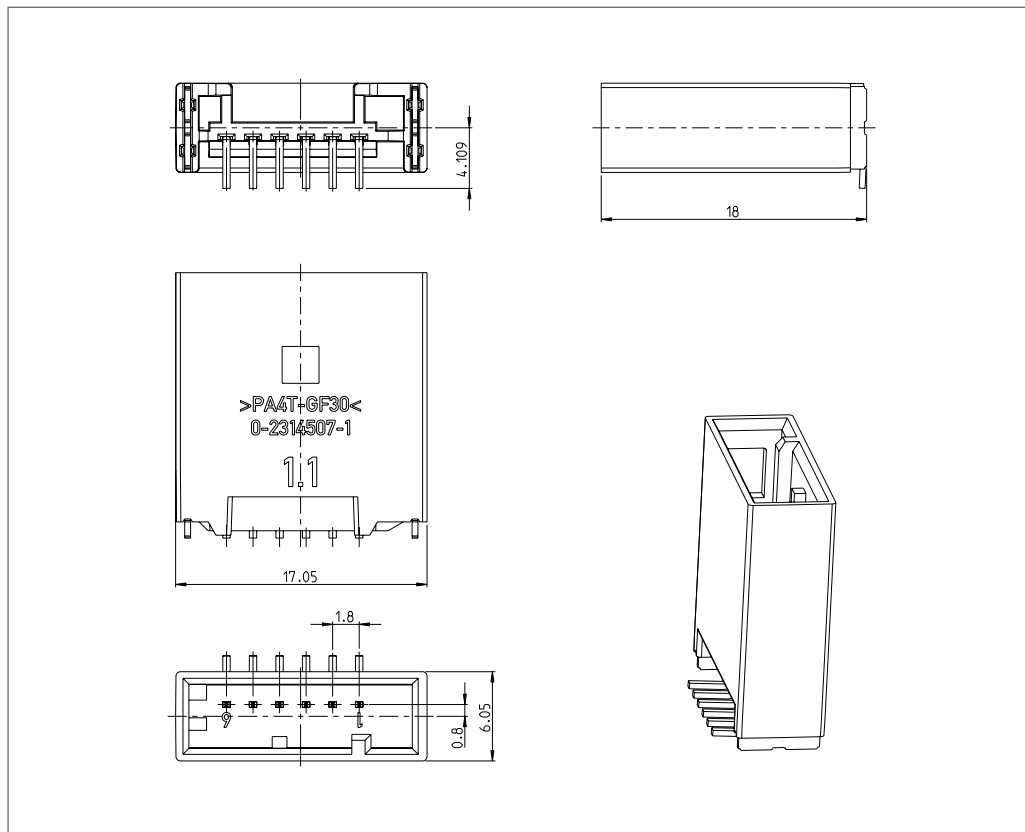
No. of Positions:
6 Positions

Housing Material:
PA4T-GF30

Material and Finish:
CuMg 0.1, Sn over Ni

Interface:
114-94000-17
208-18060

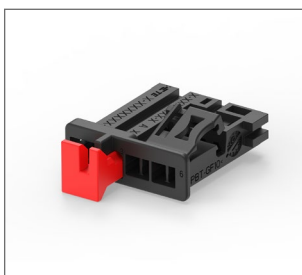
PCB Headers - Vertical Angle - 1 Row Design - 6 Positions



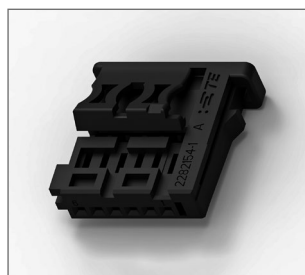
Keying Options	Housing Color	PCB Header Vertical Angle	Cover	Lever	Part Numbers	
					Mating Receptacle Housings	
					with CPA	no CPA
Coding A	Black	2314507-1	N/A	N/A	2333104-1	2282154-1
Coding B	Natural	2314507-2			2333104-2	2282154-2
Coding C	Blue	2314507-3*			2333104-3*	2282154-3
Coding D	Violet	2314507-4*			2333104-4*	2282154-4

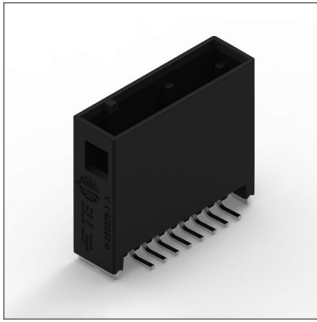
* on request

Mating Receptacle Housing with CPA see page 52

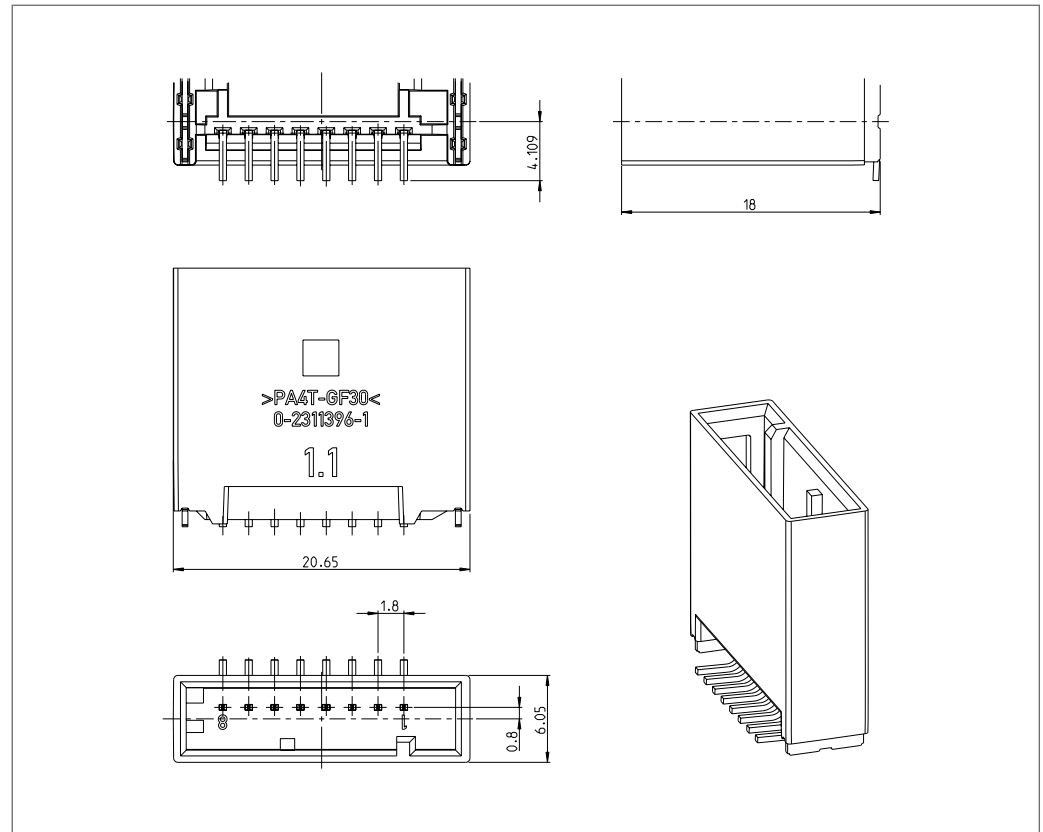


Mating Receptacle Housing no CPA see page 35





PCB Headers - Vertical Angle - 1 Row Design - 8 Positions



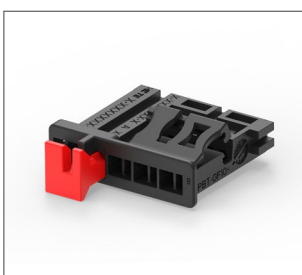
Technical Features

- No. of Positions:** 8 Positions
- Housing Material:** PA4T-GF30
- Material and Finish:** CuMg 0.1, Sn over Ni
- Interface:** 114-94000-17, 208-18060

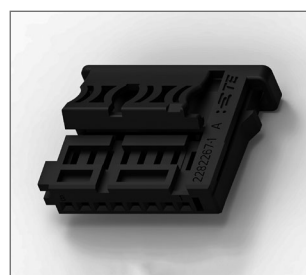
Keying Options	Housing Color	PCB Header Vertical Angle	Cover	Lever	Part Numbers	
					Mating Receptacle Housings	
					with CPA	no CPA
Coding A	Black	2311396-1	N/A	N/A	2309873-1	2282267-1
Coding B	Natural	2311396-2			2309873-2	2282267-2
Coding C	Blue	2311396-3			2309873-3	2282267-3
Coding D	Violet	2311396-4*			2309873-4*	2282267-4

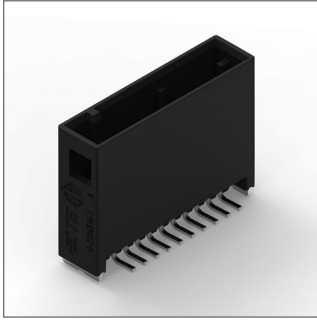
* on request

Mating Receptacle Housing with CPA see page 54



Mating Receptacle Housing no CPA see page 37





Technical Features

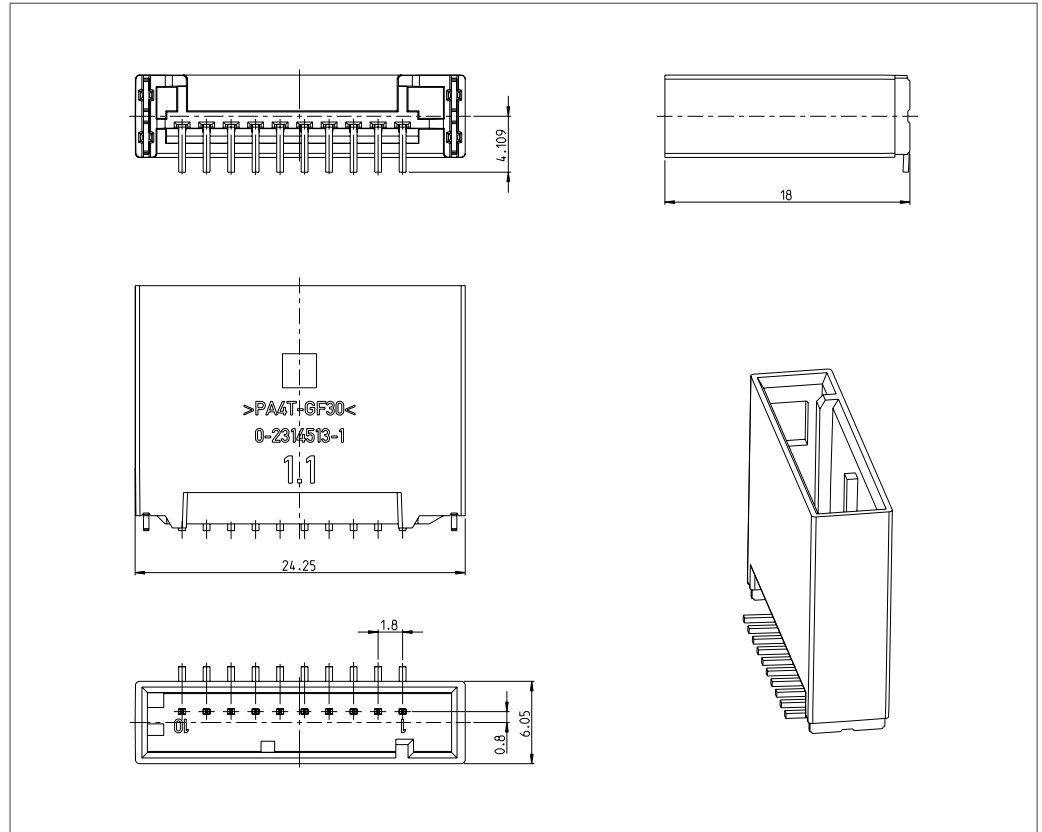
No. of Positions:
10 Positions

Housing Material:
PA4T-GF30

Material and Finish:
CuMg 0.1, Sn over Ni

Interface:
114-94000-17
208-18060

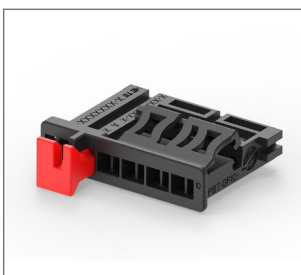
PCB Headers - Vertical Angle - 1 Row Design - 10 Positions



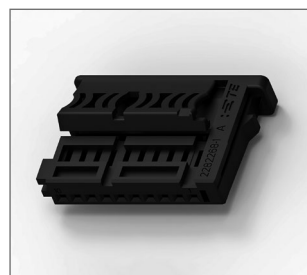
Keying Options	Housing Color	PCB Header Vertical Angle	Cover	Lever	Part Numbers	
					Mating Receptacle Housings	
					with CPA	no CPA
Coding A	Black	2314513-1	N/A	N/A	2333108-1	2282268-1
Coding B	Natural	2314513-2			2333108-2	2282268-2
Coding C	Blue	2314513-3*			2333108-3*	2282268-3
Coding D	Violet	2314513-4*			2333108-4*	2282268-4

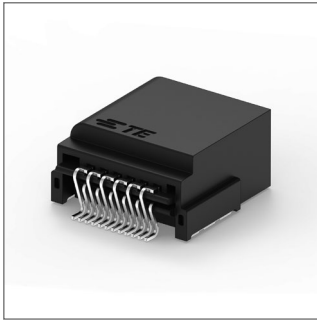
* on request

Mating Receptacle Housing with CPA see page 55

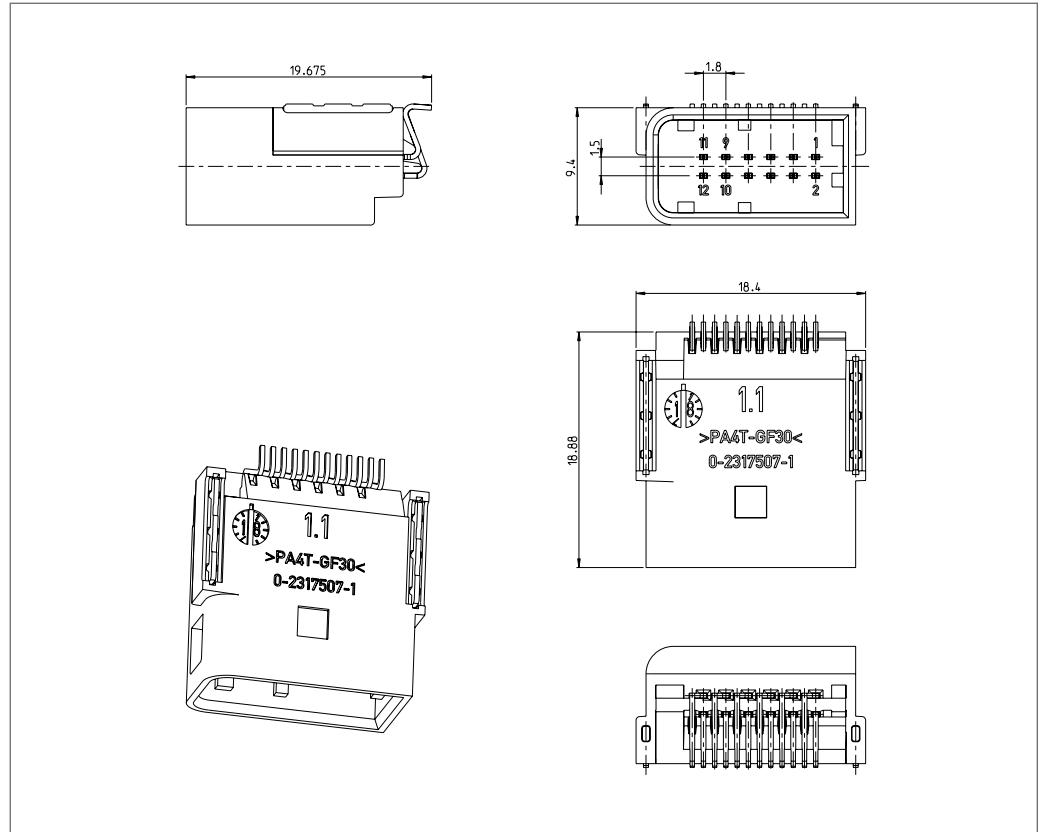


Mating Receptacle Housing no CPA see page 39





PCB Headers - Right Angle - 2 Row Design - 12 Positions



Technical Features

No. of Positions:
12 Positions

Housing Material:
PA4T-GF30

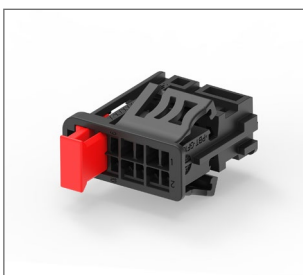
Material and Finish:
CuMg 0.1, Sn over Ni

Interface:
114-94000-20

Keying Options	Housing Color	PCB Header Right Angle	Part Numbers			
			Cover	Lever	Mating Receptacle Housings	
					with CPA	no CPA
Coding A	Black	2317507-1	N/A	N/A	2312110-1	2312212-1
Coding B	Natural	2317507-2			2312110-2	2312212-2
Coding C	Blue	2317507-3*			2312110-3*	2312212-3*
Coding D	Violet	2317507-4*			2312110-4*	2312212-4*

* on request

Mating Receptacle Housing with CPA see page 59



Mating Receptacle Housing no CPA see page 45





Technical Features

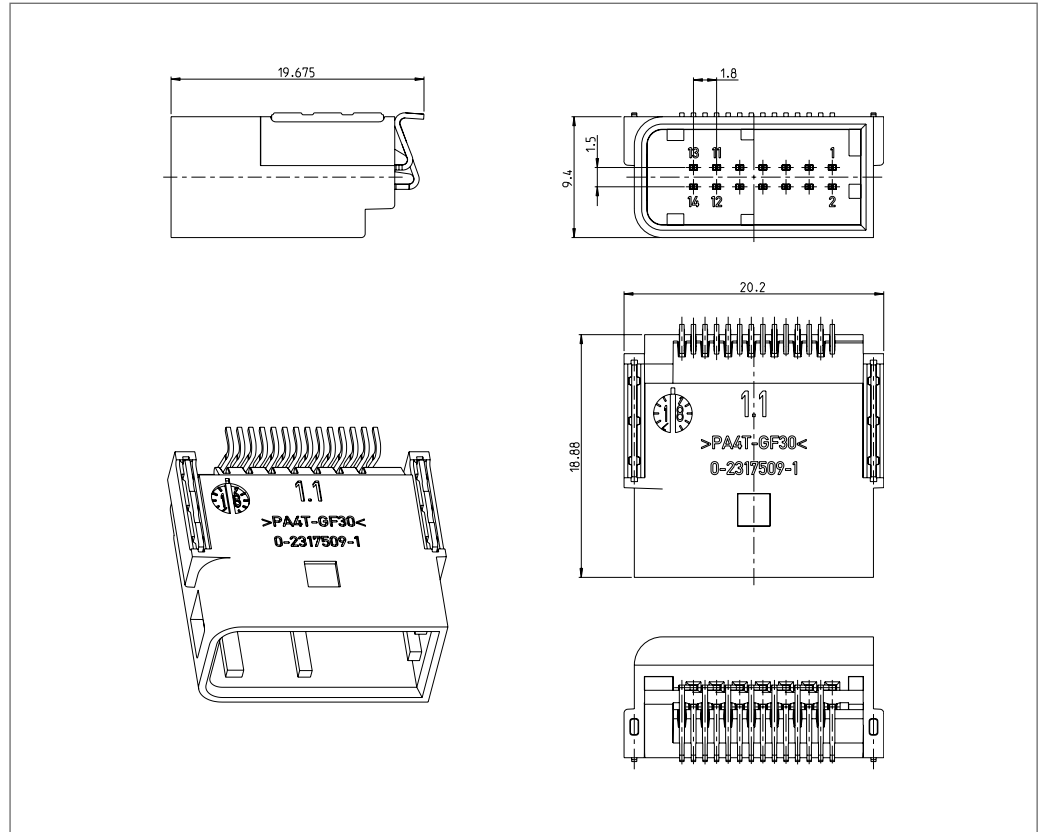
No. of Positions:
14 Positions

Housing Material:
PA4T-GF30

Material and Finish:
CuMg 0.1, Sn over Ni

Interface:
114-94000-20

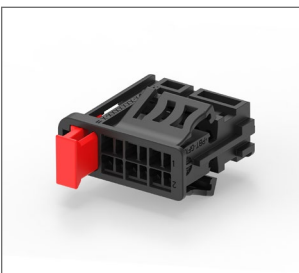
PCB Headers - Right Angle - 2 Row Design - 14 Positions



Keying Options	Housing Color	PCB Header Right Angle	Cover	Lever	Part Numbers	
					Mating Receptacle Housings	
					with CPA	no CPA
Coding A	Black	2317509-1	N/A	N/A	2312112-1	2320014-1
Coding B	Natural	2317509-2			2312112-2	2320014-2
Coding C	Blue	2317509-3*			2312112-3*	2320014-3*
Coding D	Violet	2317509-4*			2312112-4*	2320014-4*

* on request

Mating Receptacle Housing with CPA see page 60

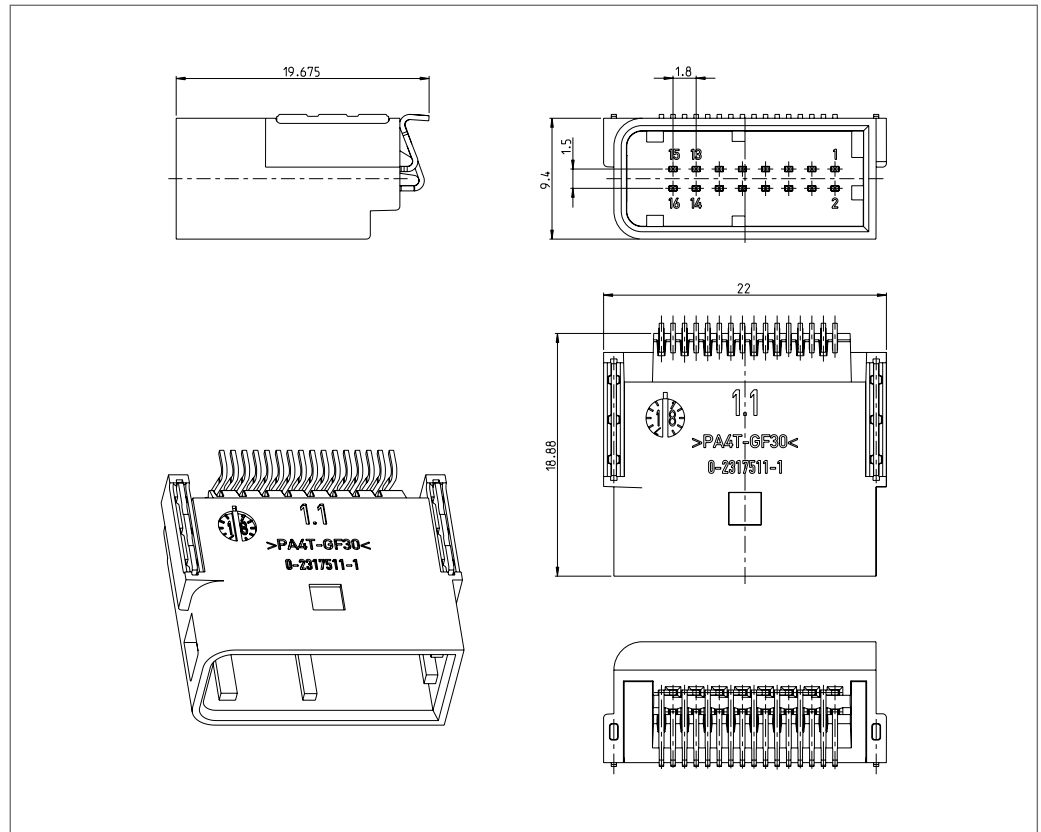


Mating Receptacle Housing no CPA see page 46





PCB Headers - Right Angle - 2 Row Design - 16 Positions



Technical Features

No. of Positions:
16 Positions

Housing Material:
PA4T-GF30

Material and Finish:
CuMg 0.1, Sn over Ni

Interface:
114-94000-20

Keying Options	Housing Color	PCB Header Right Angle	Part Numbers			
			Cover	Lever	Mating Receptacle Housings	
					with CPA	no CPA
Coding A	Black	2317511-1	N/A	N/A	2312114-1	2320016-1
Coding B	Natural	2317511-2			2312114-2	2320016-2
Coding C	Blue	2317511-3*			2312114-3*	2320016-3*
Coding D	Violet	2317511-4*			2312114-4*	2320016-4*

* on request

Mating Receptacle Housing with CPA see page 61



Mating Receptacle Housing no CPA see page 47





Technical Features

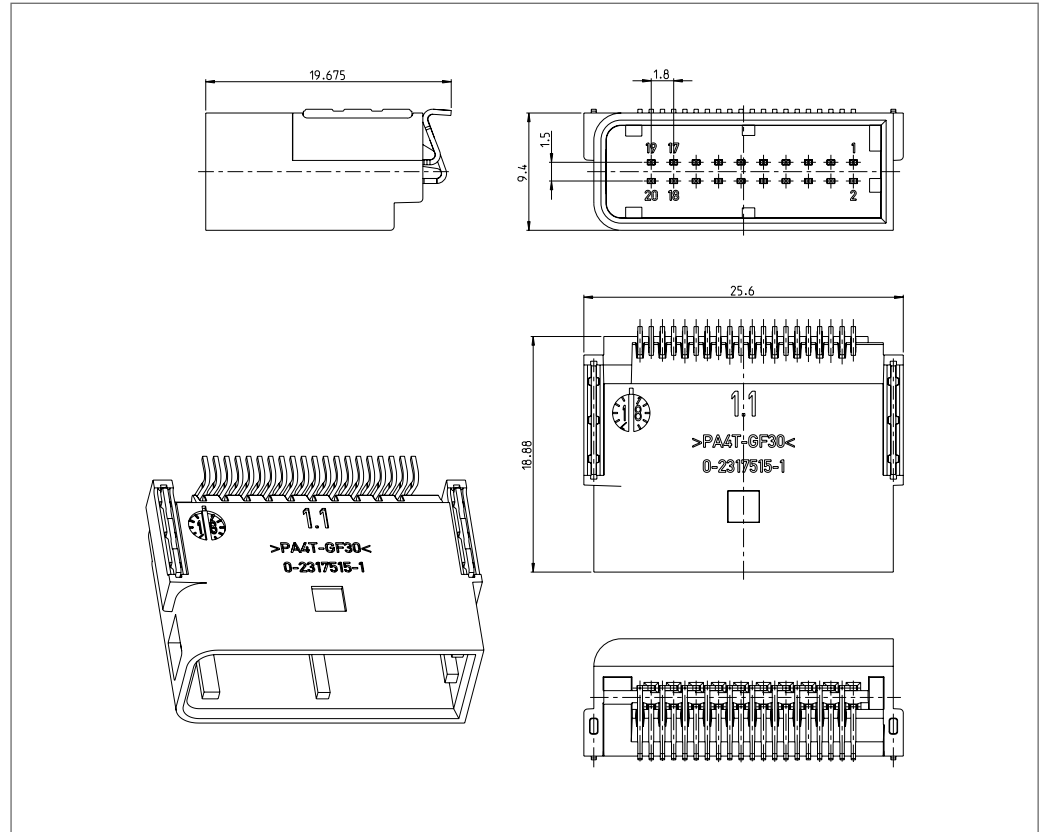
No. of Positions:
20 Positions

Housing Material:
PA4T-GF30

Material and Finish:
CuMg 0.1, Sn over Ni

Interface:
114-94000-20

PCB Headers - Right Angle - 2 Row Design - 20 Positions



Keying Options	Housing Color	Part Numbers				
		PCB Header Right Angle	Cover	Lever	Mating Receptacle Housings	
					with CPA	no CPA
Coding A	Black	2317515-1	N/A	N/A	2312118-1	2320020-1
Coding B	Natural	2317515-2			2312118-2	2320020-2
Coding C	Blue	2317515-3*			2312118-3*	2320020-3*
Coding D	Violet	2317515-4*			2312118-4*	2320020-4*

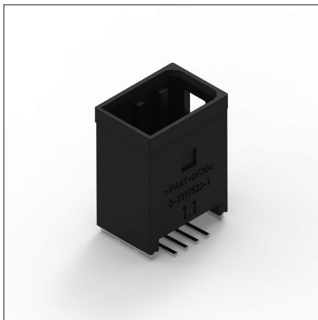
* on request

Mating Receptacle Housing with CPA see page 63

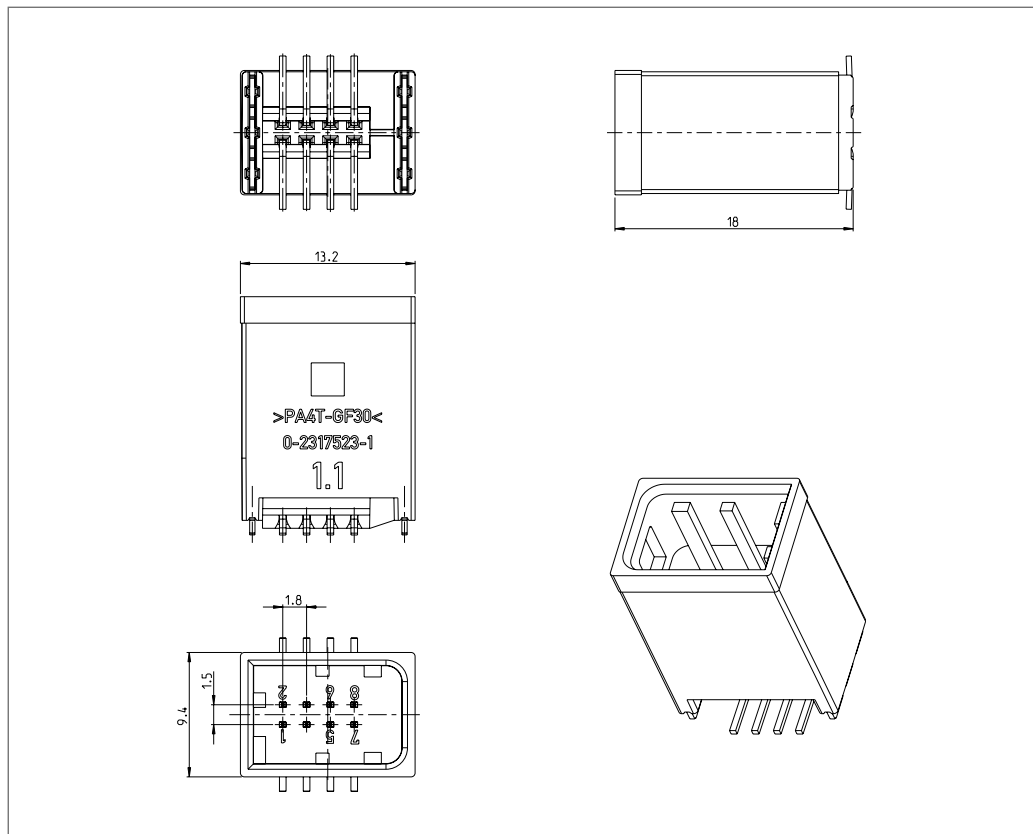


Mating Receptacle Housing no CPA see page 49





PCB Headers - Vertical Angle - 2 Row Design - 8 Positions



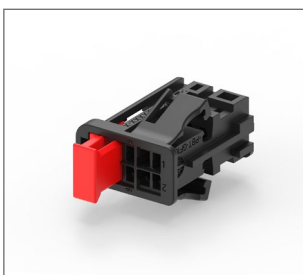
Technical Features

- No. of Positions:** 8 Positions
- Housing Material:** PA4T-GF30
- Material and Finish:** CuMg 0.1, Sn over Ni
- Interface:** 114-94000-20

Keying Options	Housing Color	PCB Header Vertical Angle	Cover	Lever	Part Numbers	
					Mating Receptacle Housings	
					with CPA	no CPA
Coding A	Black	2317523-1	N/A	N/A	2312106-1	2320008-1
Coding B	Natural	2317523-2			2312106-2	2320008-2
Coding C	Blue	2317523-3*			2312106-3*	2320008-3*
Coding D	Violet	2317523-4*			2312106-4*	2320008-4*

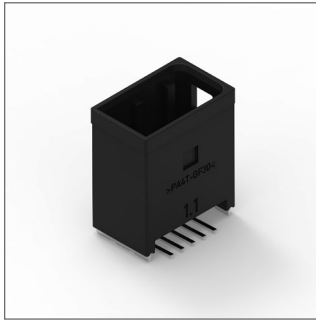
* on request

Mating Receptacle Housing with CPA see page 57



Mating Receptacle Housing no CPA see page 43





Technical Features

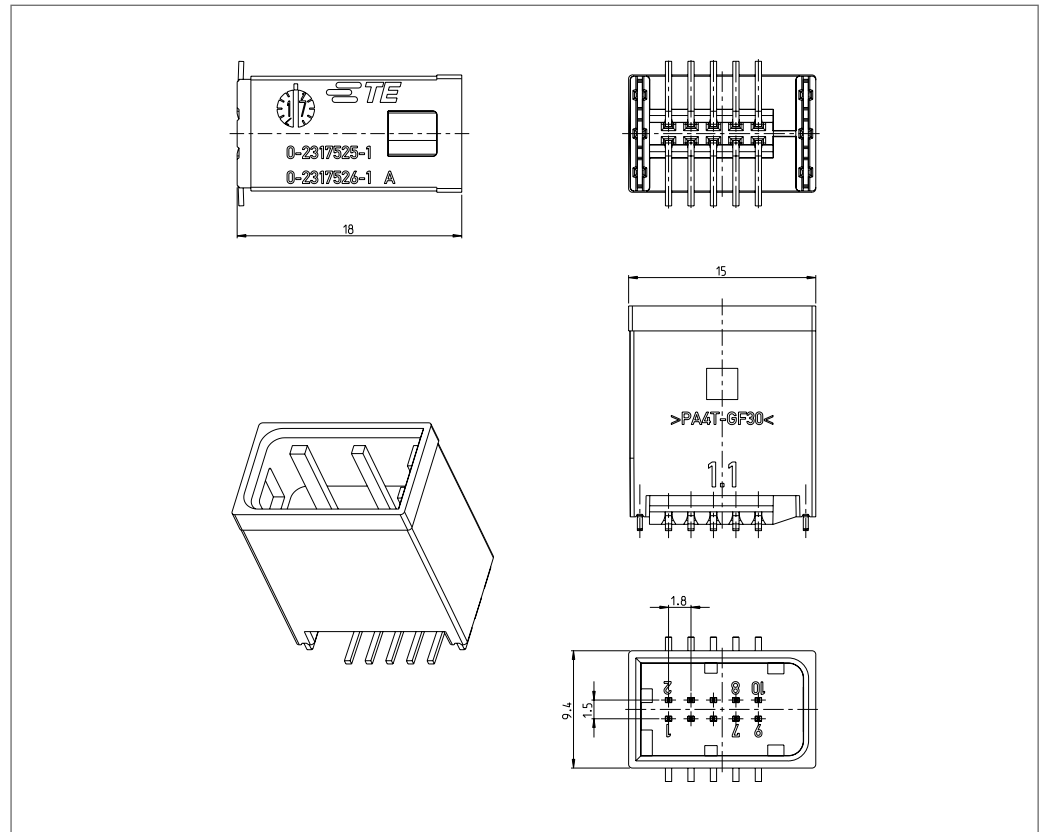
No. of Positions:
10 Positions

Housing Material:
PA4T-GF30

Material and Finish:
CuMg 0.1, Sn over Ni

Interface:
114-94000-20

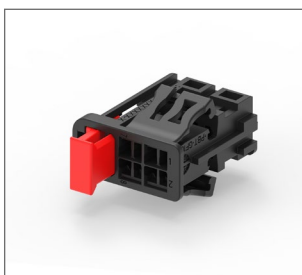
PCB Headers - Vertical Angle - 2 Row Design - 10 Positions



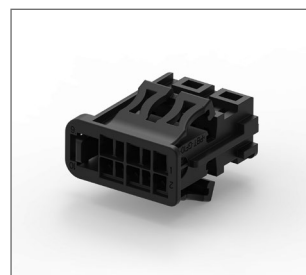
Keying Options	Housing Color	PCB Header Vertical Angle	Cover	Lever	Part Numbers	
					Mating Receptacle Housings	
					with CPA	no CPA
Coding A	Black	2317525-1	N/A	N/A	2312108-1	2302475-1
Coding B	Natural	2317525-2			2312108-2	2302475-2
Coding C	Blue	2317525-3*			2312108-3*	2302475-3*
Coding D	Violet	2317525-4*			2312108-4*	2302475-4*

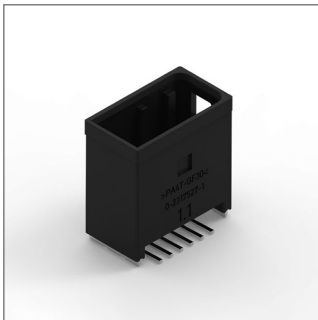
* on request

Mating Receptacle Housing with CPA see page 58

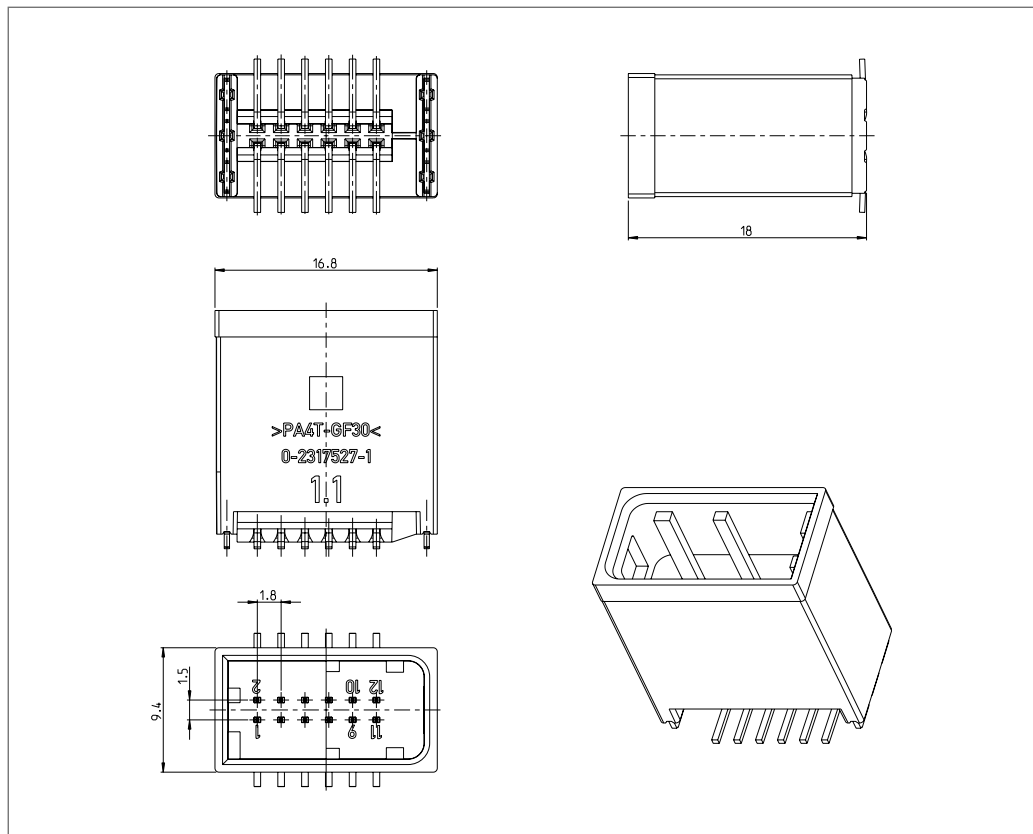


Mating Receptacle Housing no CPA see page 44





PCB Headers - Vertical Angle - 2 Row Design - 12 Positions



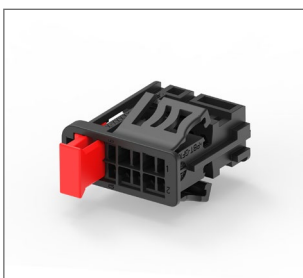
Technical Features

- No. of Positions:** 12 Positions
- Housing Material:** PA4T-GF30
- Material and Finish:** CuMg 0.1, Sn over Ni
- Interface:** 114-94000-20

Keying Options	Housing Color	PCB Header Vertical Angle	Cover	Lever	Part Numbers	
					Mating Receptacle Housings	
					with CPA	no CPA
Coding A	Black	2317527-1	N/A	N/A	2312110-1	2312212-1
Coding B	Natural	2317527-2			2312110-2	2312212-2
Coding C	Blue	2317527-3*			2312110-3*	2312212-3*
Coding D	Violet	2317527-4*			2312110-4*	2312212-4*

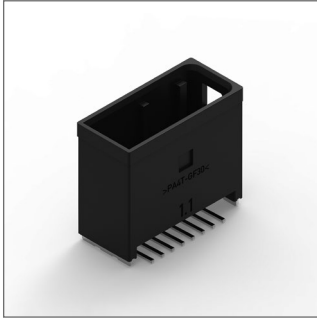
* on request

Mating Receptacle Housing with CPA see page 59



Mating Receptacle Housing no CPA see page 45





Technical Features

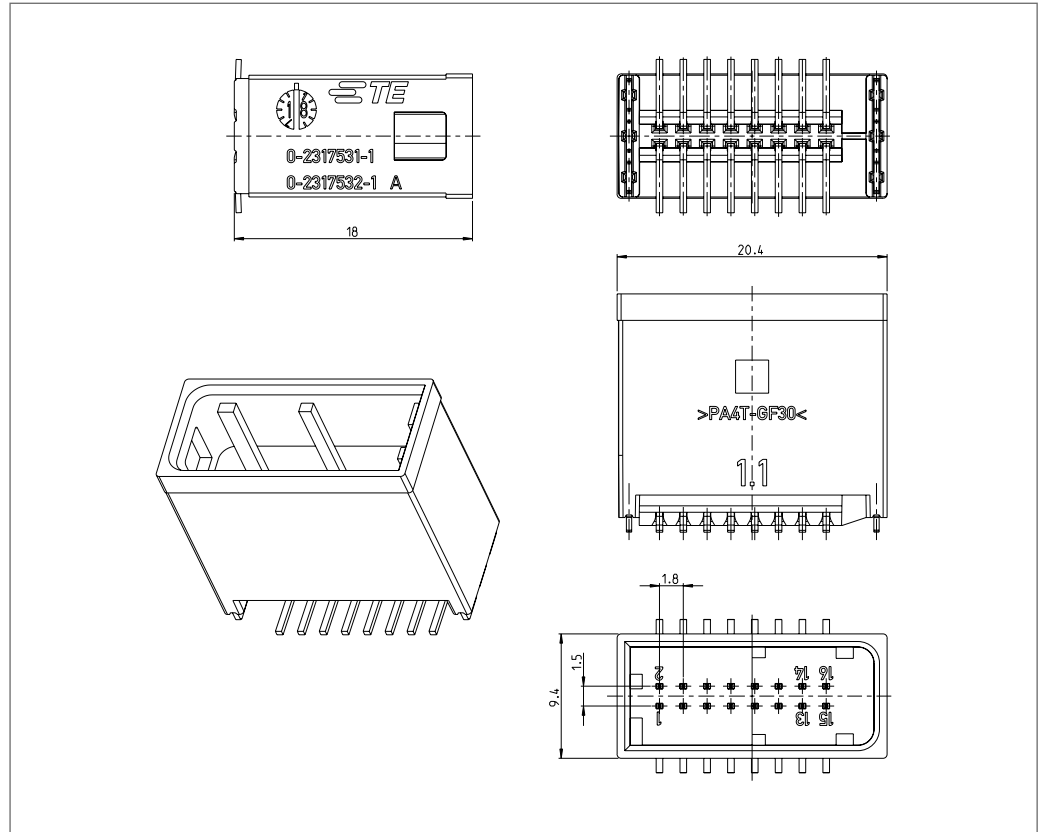
No. of Positions:
16 Positions

Housing Material:
PA4T-GF30

Material and Finish:
CuMg 0.1, Sn over Ni

Interface:
114-94000-20

PCB Headers - Vertical Angle - 2 Row Design - 16 Positions



Keying Options	Housing Color	PCB Header Vertical Angle	Cover	Lever	Part Numbers	
					Mating Receptacle Housings	
					with CPA	no CPA
Coding A	Black	2317531-1	N/A	N/A	2312114-1	2320016-1
Coding B	Natural	2317531-2			2312114-2	2320016-2
Coding C	Blue	2317531-3*			2312114-3*	2320016-3*
Coding D	Violet	2317531-4*			2312114-4*	2320016-4*

* on request

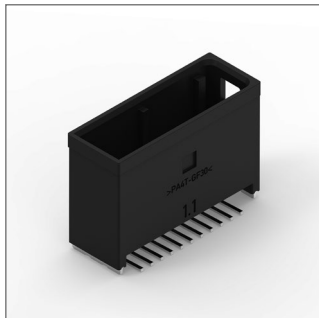
Mating Receptacle Housing with CPA see page 61



Mating Receptacle Housing no CPA see page 47



PCB Headers - Vertical Angle - 2 Row Design - 22 Positions



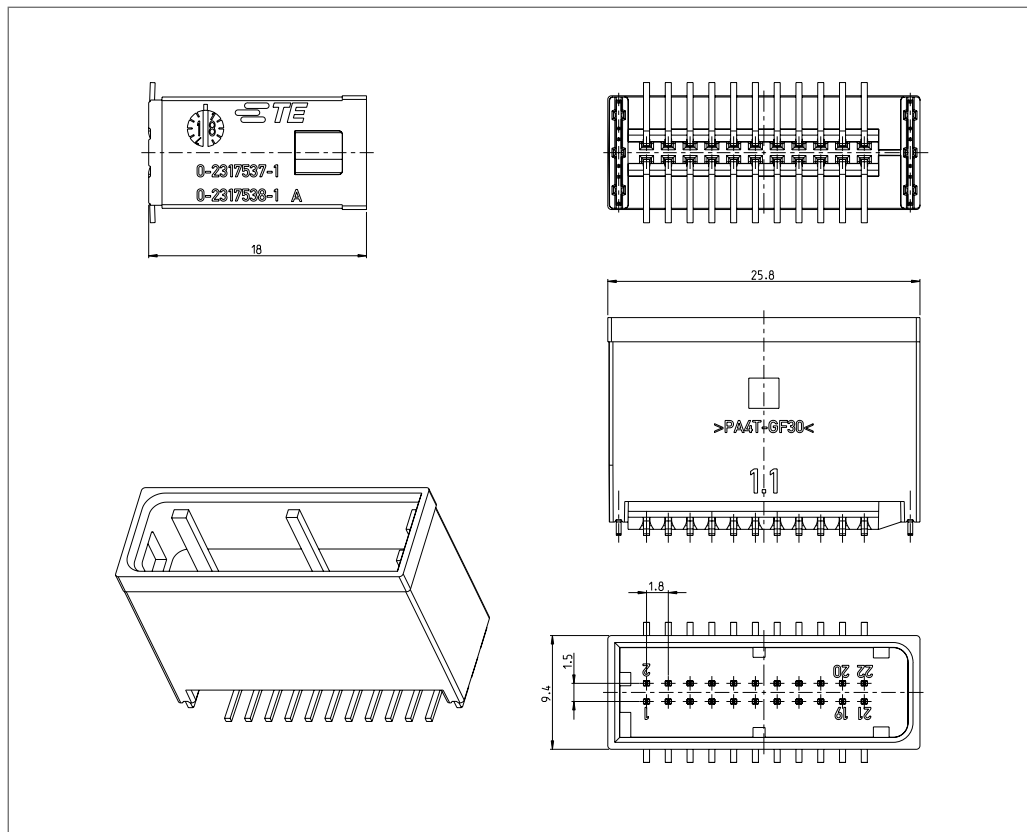
Technical Features

No. of Positions:
22 Positions

Housing Material:
PA4T-GF30

Material and Finish:
CuMg 0.1, Sn over Ni

Interface:
114-94000-20



Keying Options	Housing Color	PCB Header Vertical Angle	Cover	Lever	Part Numbers	
					Mating Receptacle Housings	
					with CPA	no CPA
Coding A	Black	2317537-1	N/A	N/A	2312120-1	*
Coding B	Natural	2317537-2			2312120-2	*
Coding C	Blue	2317537-3*			2312120-3*	*
Coding D	Violet	2317537-4*			2312120-4*	*

* on request

Mating Receptacle Housing with CPA see page 64



The image shows a large grid of 20 columns and 30 rows of dots. Most dots are grey, but several are highlighted in orange. The orange dots are located at the following approximate coordinates (row, column): (2, 6), (4, 16), (6, 11), (8, 1), (9, 8), (19, 14), (19, 19), (21, 11), (26, 1), and (29, 6).

YOU CAN RELY ON APPLICATION TOOLING FROM TE CONNECTIVITY

TE's Application Tooling portfolio provides customers a wide range of flexible, high quality, reliable solutions that meet all levels of NanoMQS production volume requirements and product specifications.

For decades customers have come to trust the TE brand both during and after the sale thanks to a global network of field service engineers and product managers. We can supply product, training and support for everything from simple hand tools to the most complex automated systems.

Tooling for NanoMQS Applications

Insertion and extraction tools are used for inserting discrete terminals into connector housings or removing them, without causing damage to either the terminals or housings. Many different design types exist for our vast terminal product range including NanoMQS connectors.

Termination of small wires via crimping requires appropriate tools to confirm that the wire is terminated with the same level of quality that is generally expected of a crimp connection - this applies to automatic termination and hand-operation processes alike.

Only precision application tools like our specific applicators and hand tool for NanoMQS connectors deliver the essential air-tight crimping connection without potentially damaging the fine wire.

OCEAN 2.0 Applicators

Wire small diameter wire harness applications like NanoMQS require a high degree of quality, reliability and repeatability. Our OCEAN 2.0 applicators are crafted from high grade tool steels and processed through advanced CNC equipment for tight tolerances to meet demands for high repeatability and faster throughput. Its robust design is not only easy-to-install, but also designed for fast adjustments to make them even more accurate.



Insertion and extraction tools

YOU CAN RELY ON APPLICATION TOOLING FROM TE CONNECTIVITY

OCEAN 2.0 & GII Terminators: A Perfect Combo

Customers can take their NanoMQS wire processing to new levels by running an OCEAN 2.0 applicator in a GII bench top terminator. All GII models include precision adjustment for crimp height — an important feature, which, in combination with the optional Crimp Quality Monitor (CQM II), enables repeatable, tight crimp tolerances required for today's demands for higher levels of quality.

Defective crimp-cut models provide an even higher level of quality for customers looking to control defects from continuing in the manufacturing process, once a crimp error is detected. With the help of our CQM II, defective crimp cut technology can immediately detect when a bad crimp occurs and cut off the crimped terminal to keep bad crimps from accidentally passing to the next step in your wire harness manufacturing.

Trust on TE All Down the Line

Whether you're looking for high quality portable tools or need a semi-automatic termination solution to handle your crimping challenges, TE has the sales, engineering and field service support to guide you through the selection, installation and service of your equipment.

Visit tooling.te.com

or contact us at toolingsales@te.com

to learn more.



OCEAN 2.0 Applicator

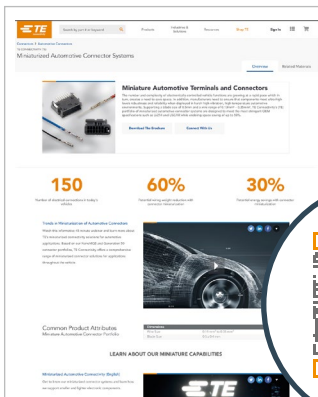


GII Terminator

www.TE.com

TE CONNECTIVITY ONLINE

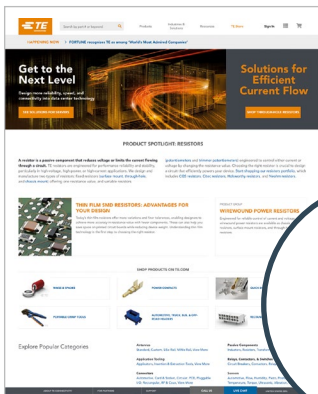
TE.com offers an enhanced digital experience, with more than 250,000 parts profiled. The site has deep, rich product data and easier access to tools and services. Other offerings include improved search and navigation and knowledge and idea sharing.



TE AUTOMOTIVE

We are one of the leading providers of advanced automobile connectivity solutions. The automotive industry uses our products in automotive technologies for body and chassis systems, convenience applications, driver information, infotainment solutions, miniaturization solutions, motor and powertrain applications, and safety and security systems. TE Connectivity is developing automotive solutions to help drive innovations for designs today and into tomorrow.

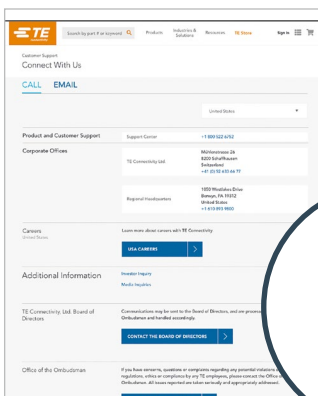
[Miniaturized Terminals and Connectors](#)



PRODUCT INFORMATION

Search for a specific product by category, part number or document number.

www.TE.com



STAY CONNECTED

You can rely on TE's PIC Team to answer your general or technical questions. To contact a PIC representative, visit

www.TE.com/support-center

EUROPE**Germany**

Product Information Center:
 Phone: +800 0440-5100
 Fax: +49 6251-133-1988

UNITED STATES**United States - Harrisburg**

Product Information Center:
 Phone: +1 800-522-6752
 Fax: +1 717-986-7575

SOUTH AMERICA**South America**

Phone: +54 11-4733-2015
 Fax: +54 11-4733-2083

AFRICA**South Africa -****Port Elizabeth**

Phone: +27 41-503-4500
 Fax: +27 41-581-0440

ASIA/PACIFIC**Australia - Sydney**

Product Information Center:
 Phone: +61 2-9840-8200
 Fax: +61 2-9634-6188

ASIA/PACIFIC**People's Republic of China**

Hong Kong
 Phone: +852 2738-8731
 Fax: +852 2735-0243

ASIA/PACIFIC**People's Republic of China**

Shanghai
 Phone: +86 21-3398-0000
 Fax: +86 21-3398-1999

ASIA/PACIFIC**Korea - Seoul**

Phone: +82 2-3415-4500
 Fax: +82 2-3486-3810

DISCLAIMER

This document reflects the state-of-the-art result of the work of TE Connectivity (TE). While TE has made every reasonable effort to ensure the accuracy of the information in this document, TE does not guarantee that it is error-free, nor does TE make any other representation, warranty or guarantee that the information is accurate, correct, reliable or current. TE expressly disclaims all implied warranties regarding the information contained herein, including, but not limited to, any implied warranties of merchantability or fitness for a particular purpose. The document is subject to change without notice. Consult TE for the latest dimensions and design specifications.

TRADEMARKS

NanoMQS, MCON, OCEAN, TE, TE Connectivity, TE connectivity (logo), and EVERY CONNECTION COUNTS are trademarks owned or licensed by the TE Connectivity Ltd. family of companies.

Other product names, logos, and company names mentioned herein may be trademarks of their respective owners.

COPYRIGHT

© 2021 TE Connectivity | All rights reserved.

aut-miniaturization-cat-1654334-1-en | Revision 08-2021b

PUBLISHED BY

TE Connectivity Germany GmbH

Ampèrestrasse 12-14

64625 Bensheim | Germany

